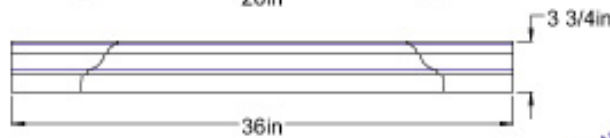
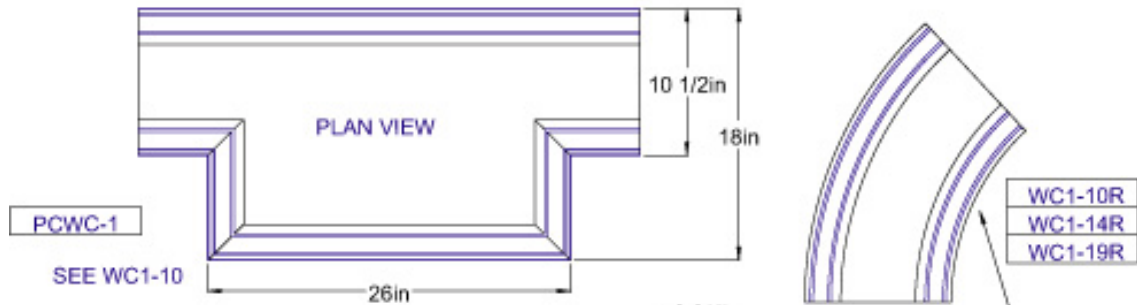
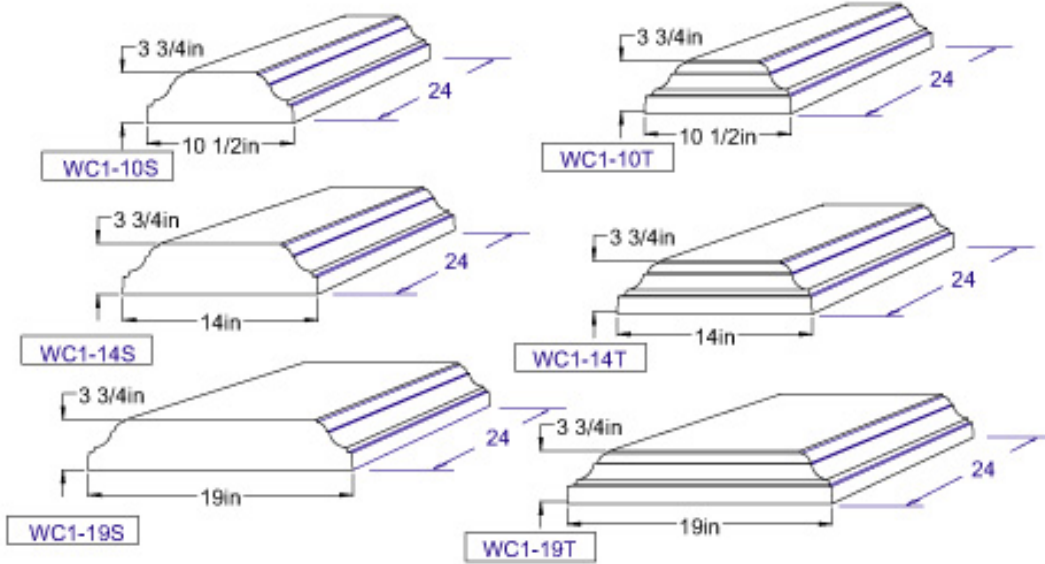


WALL CAP



PILASTER/WALL CAP FOR 8-8-16 CMU WITH STUCCO

