

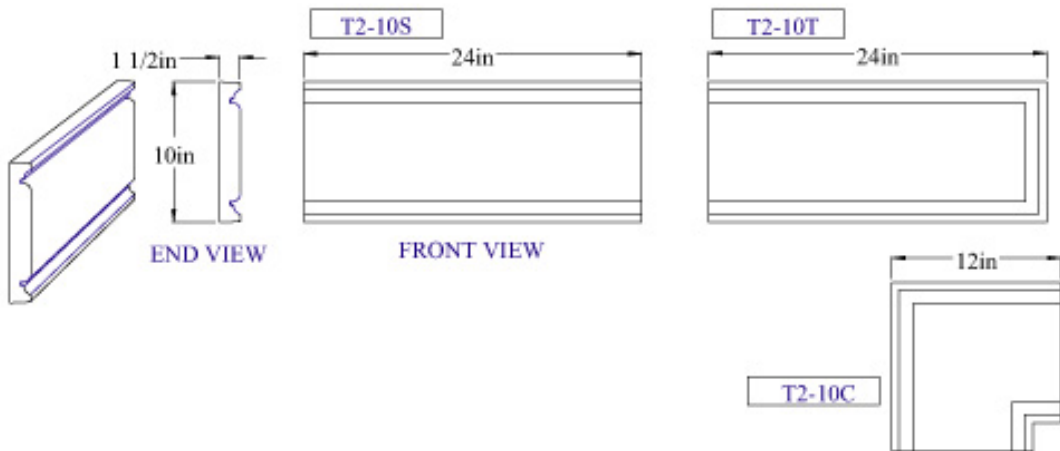
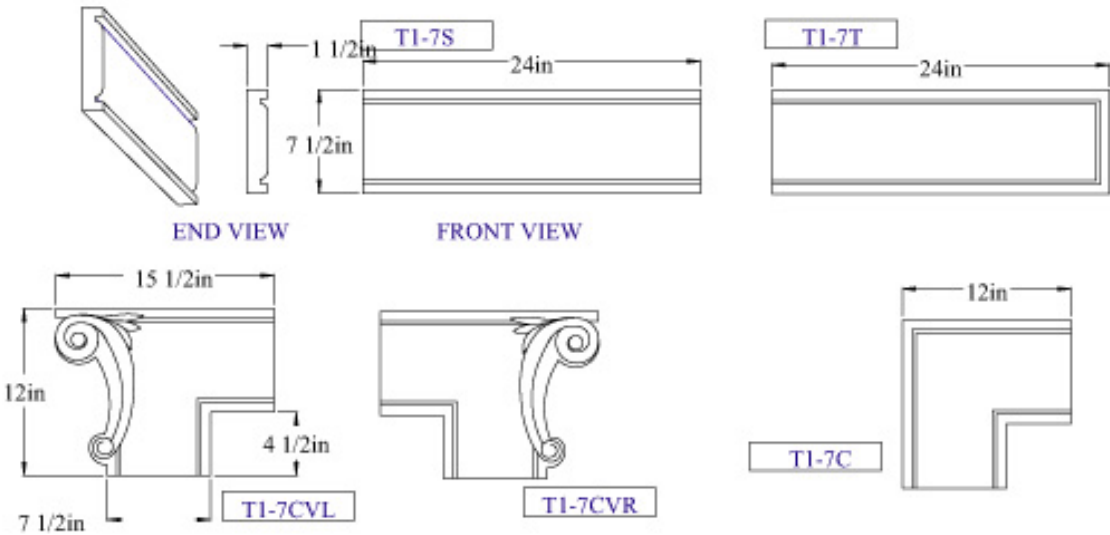
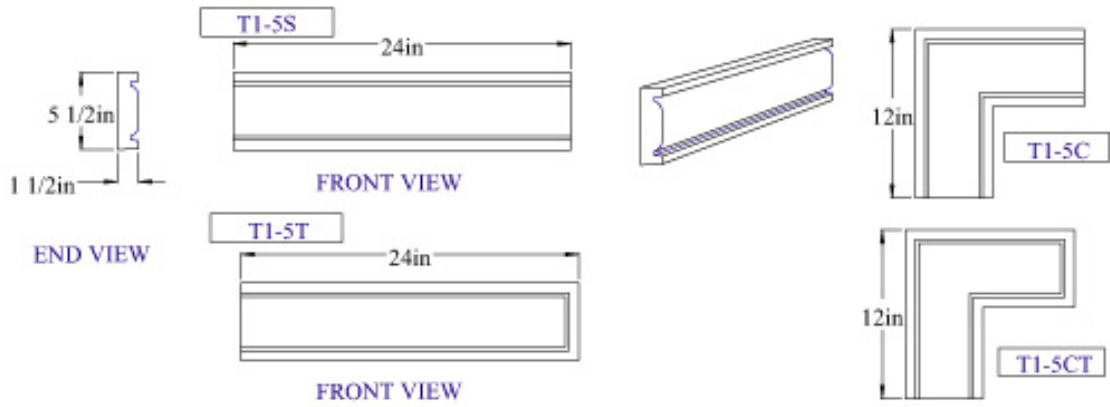
TRIM & MOLDING
SECTION 5



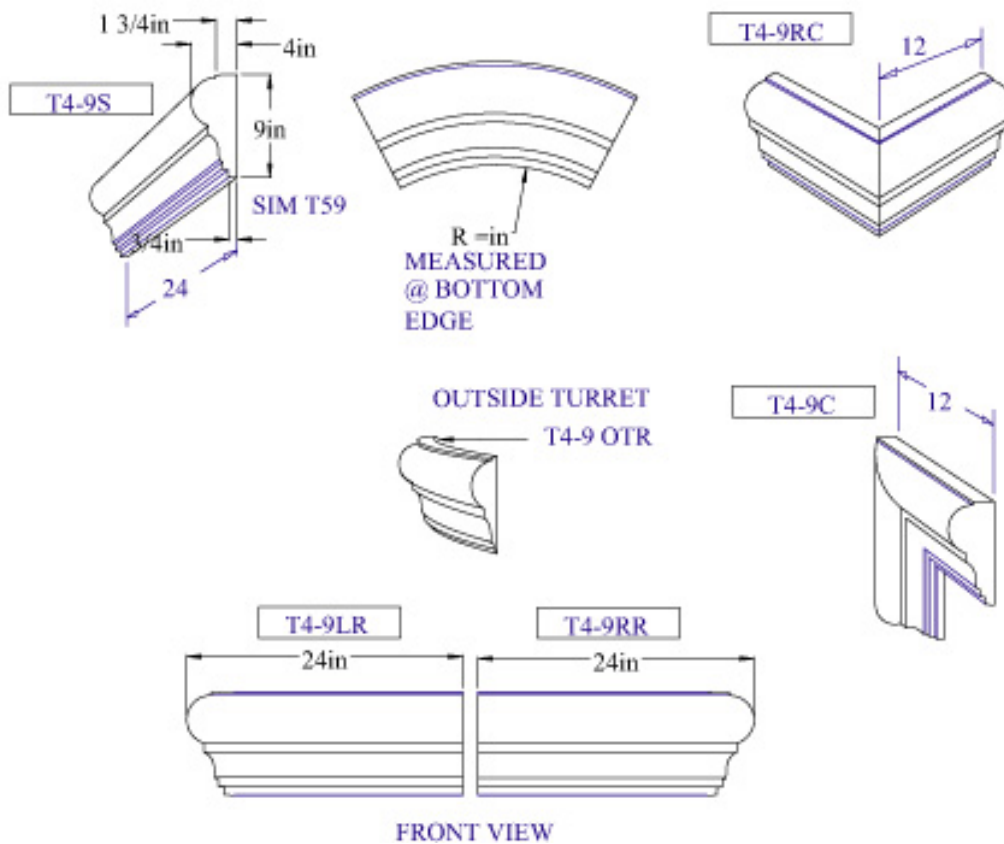
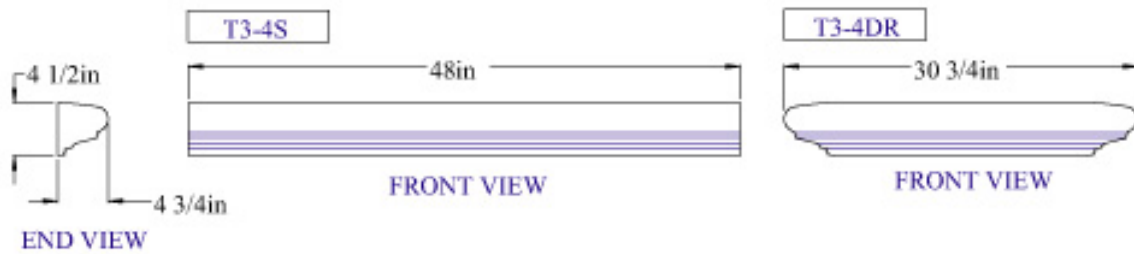
Trim and Molding products are the most versatile items in our product line. They may be used in order to surround windows, doors, niches, chimney tops, and to construct pilaster cap assemblies.

Custom designs are available per your drawings and/or specifications.

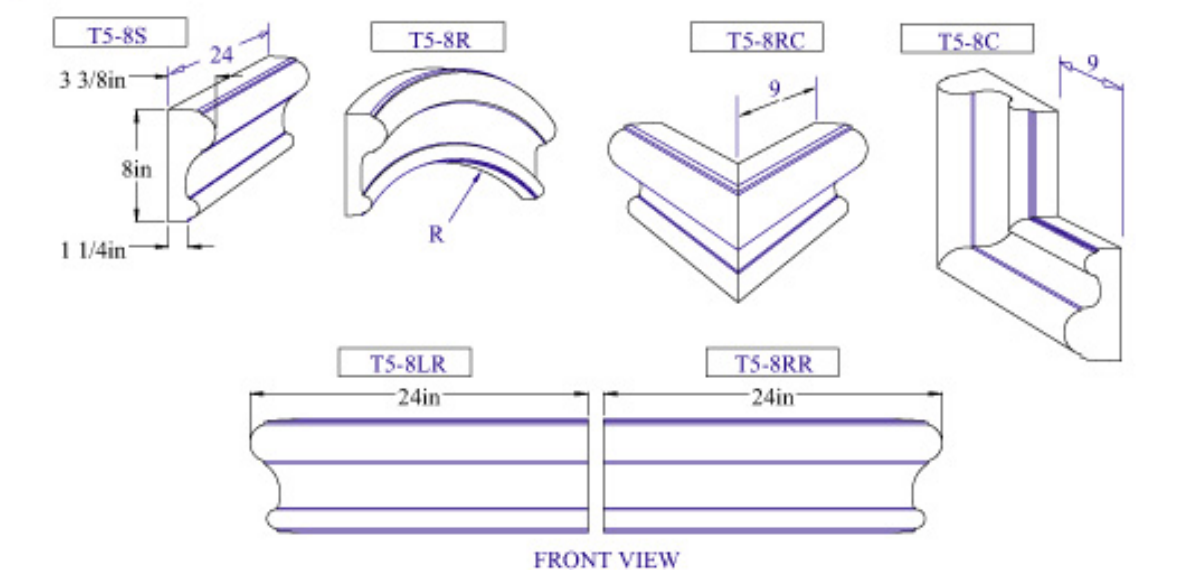
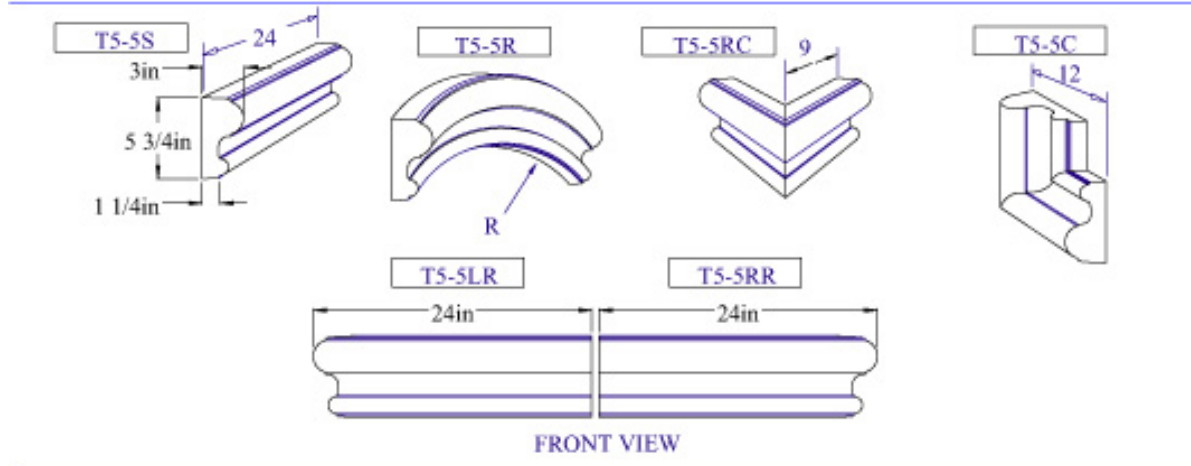
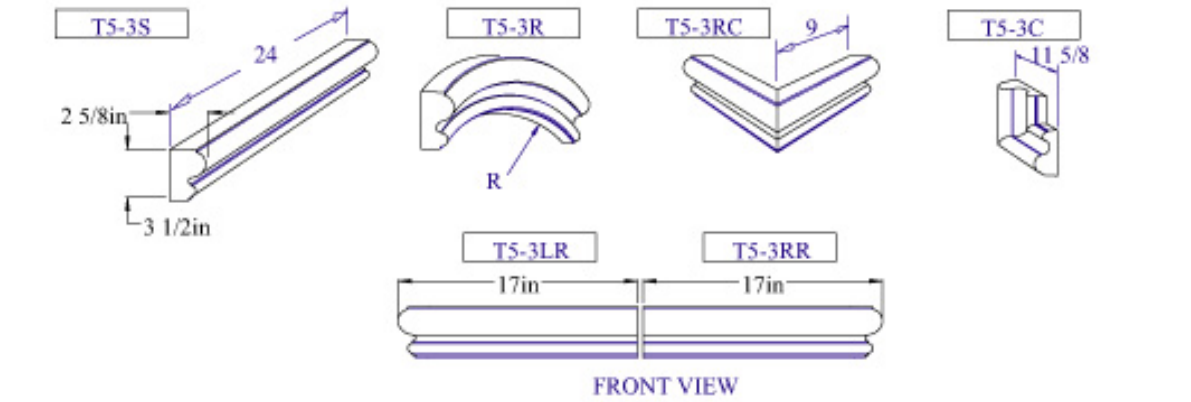
TRIM & MOLDING



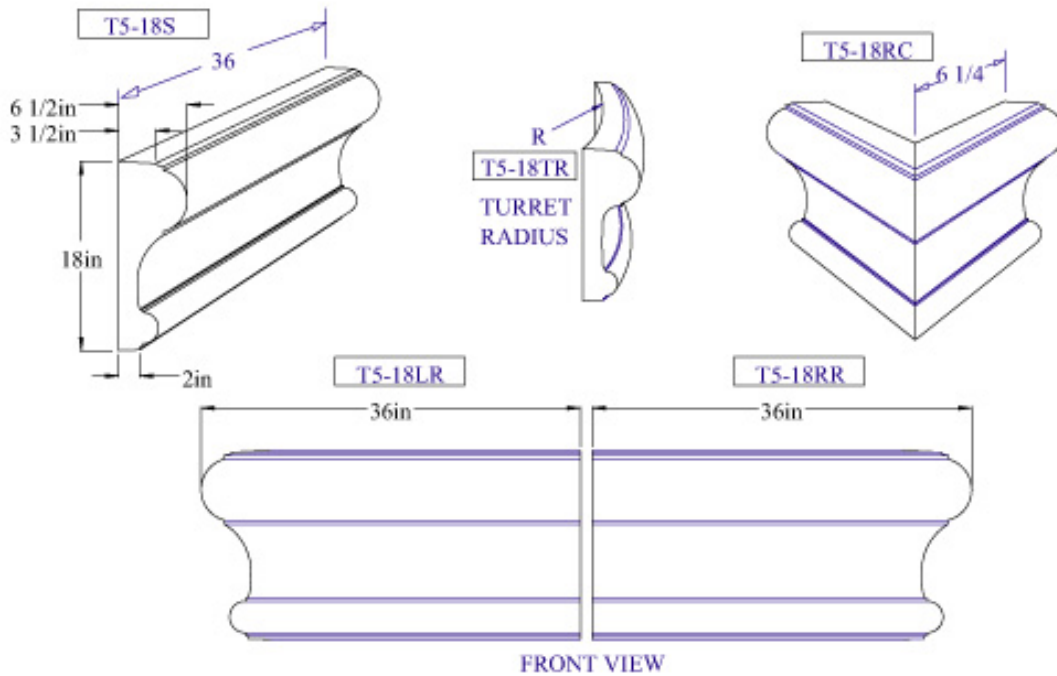
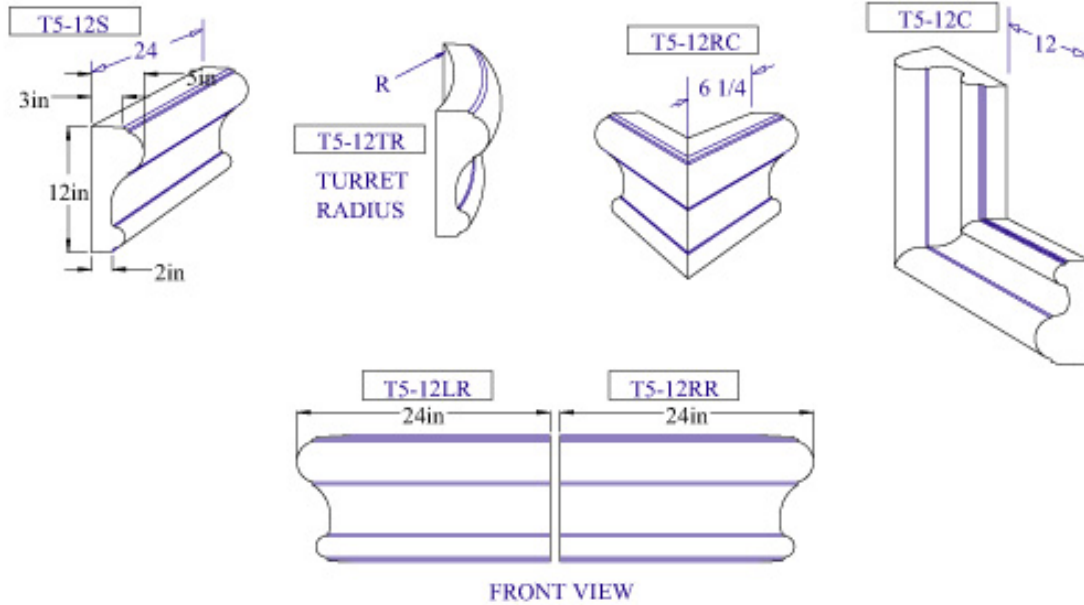
TRIM & MOLDING



TRIM & MOLDING

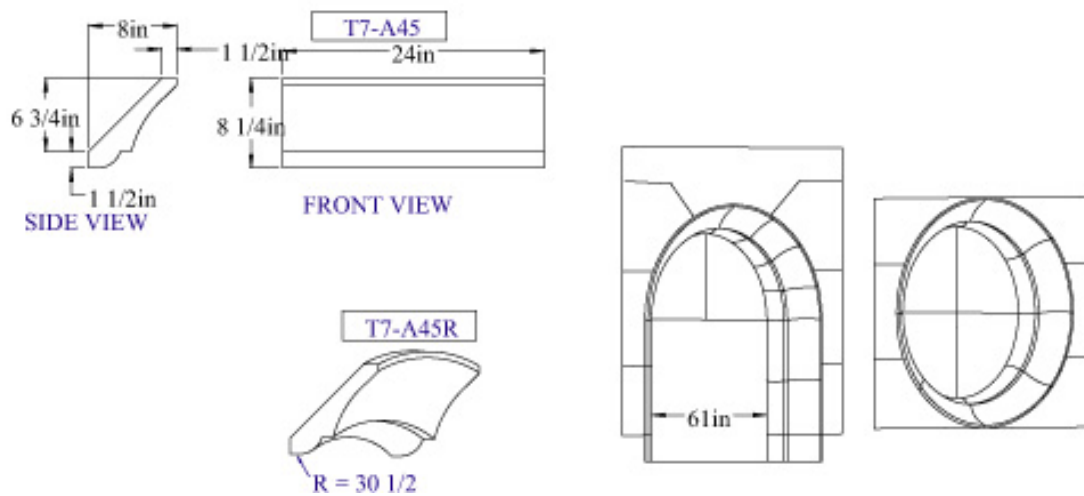
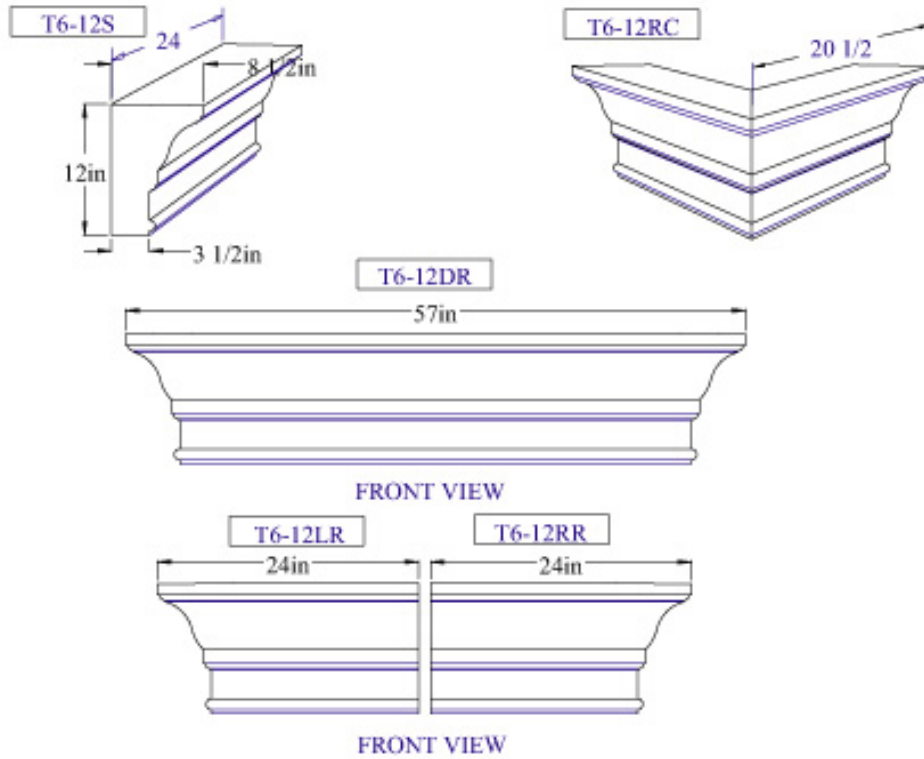


TRIM & MOLDING

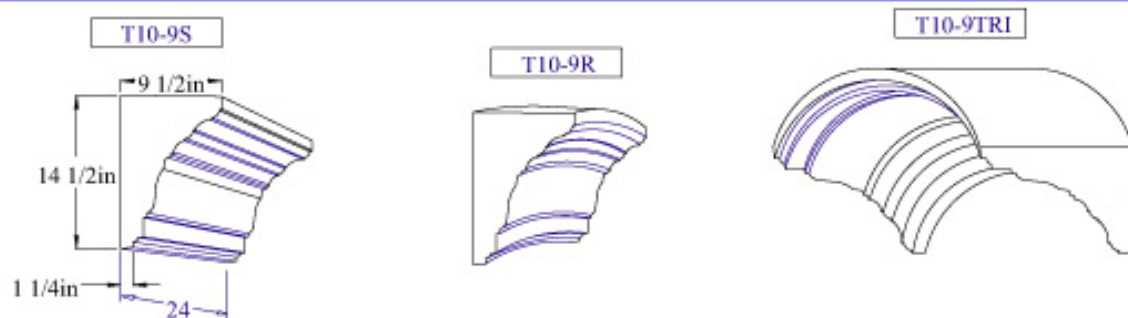
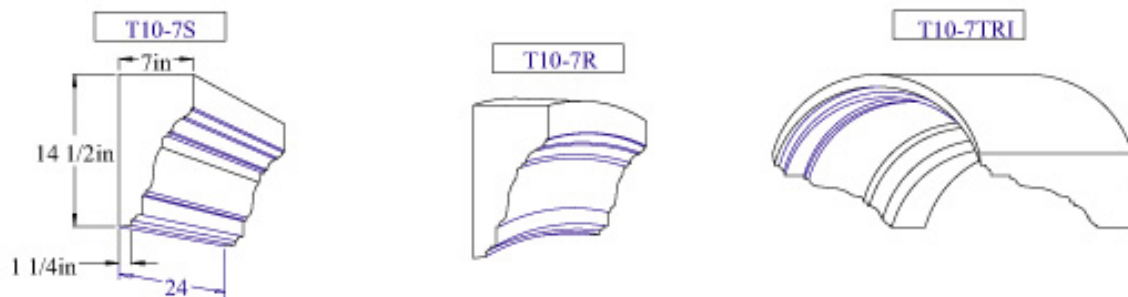
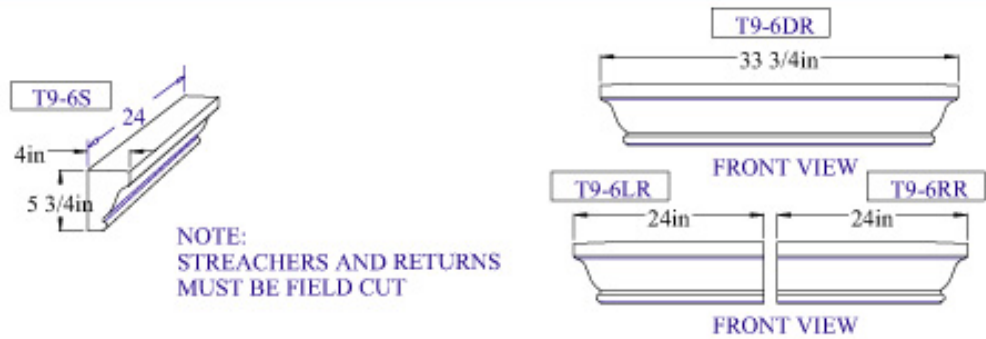
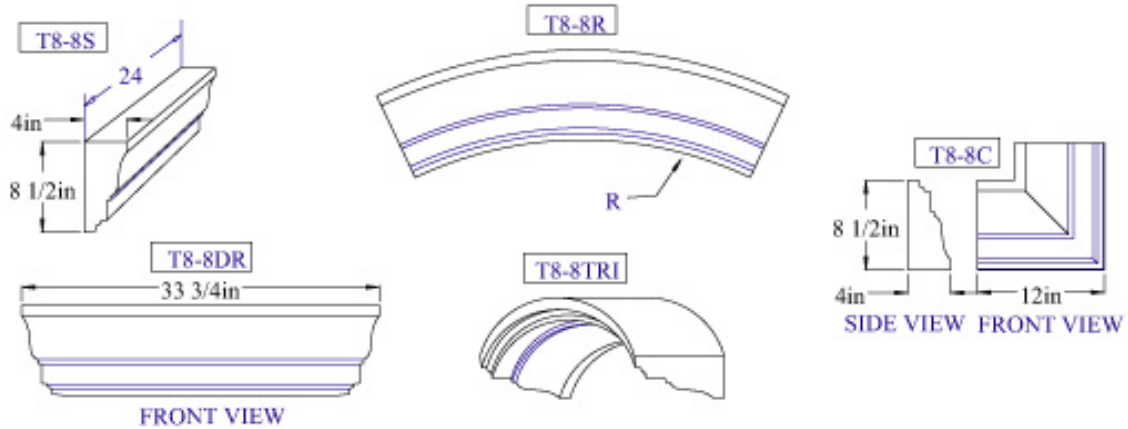


NOTE:
RADI AND TURRET CASTINGS AVAILABLE FOR ALL PARTS.

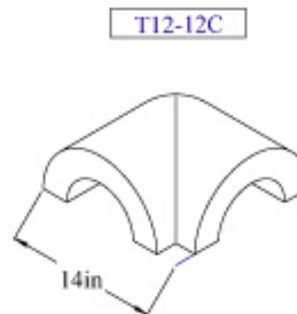
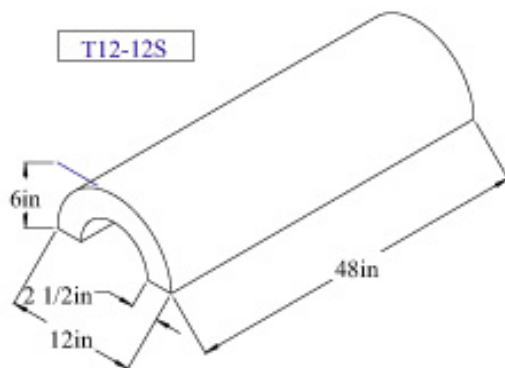
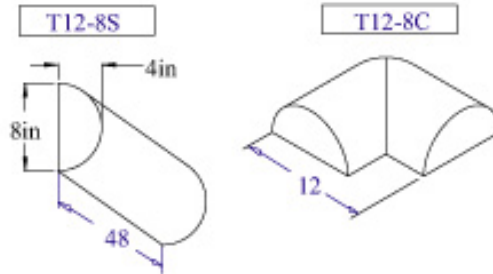
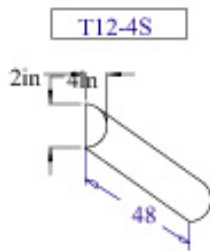
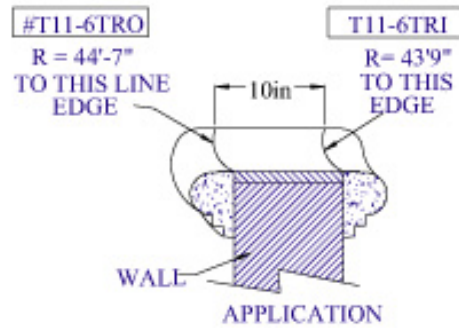
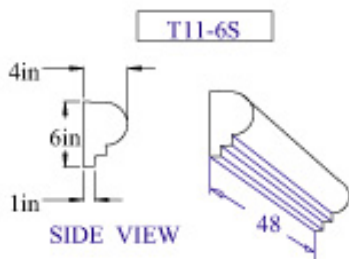
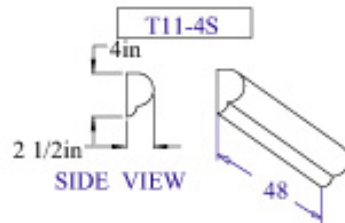
TRIM & MOLDING



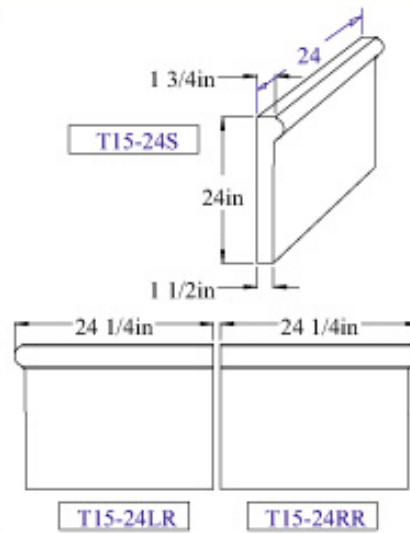
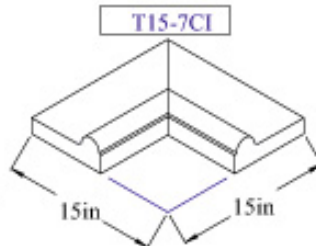
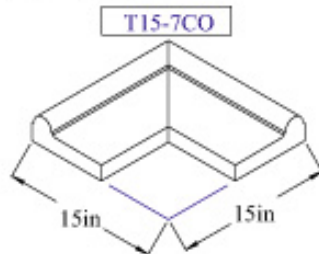
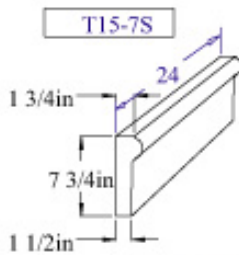
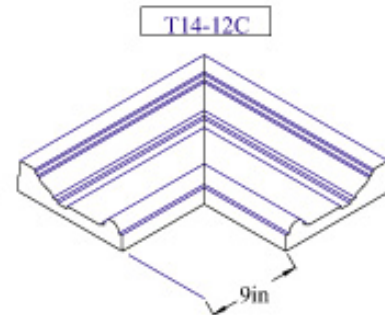
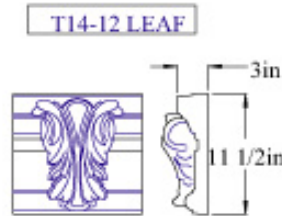
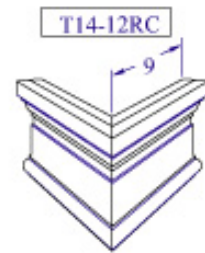
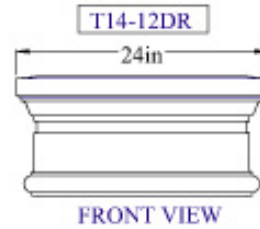
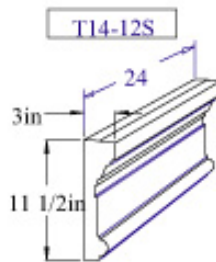
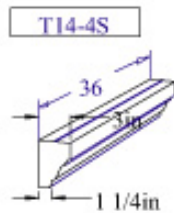
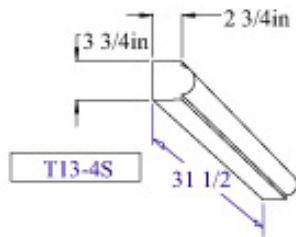
TRIM & MOLDING



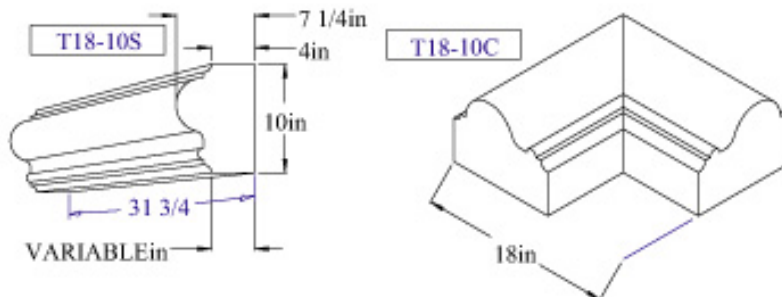
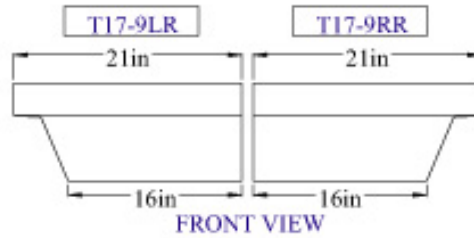
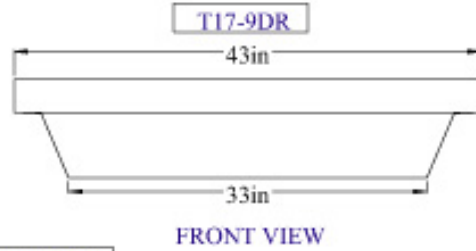
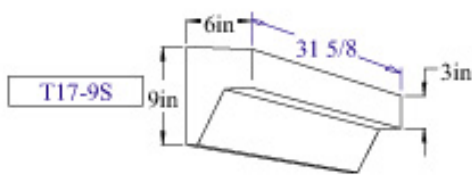
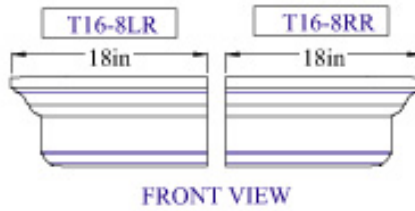
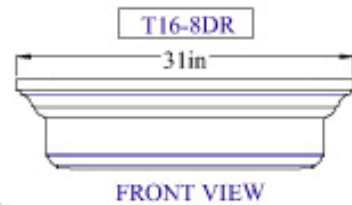
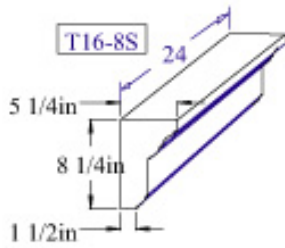
TRIM & MOLDING



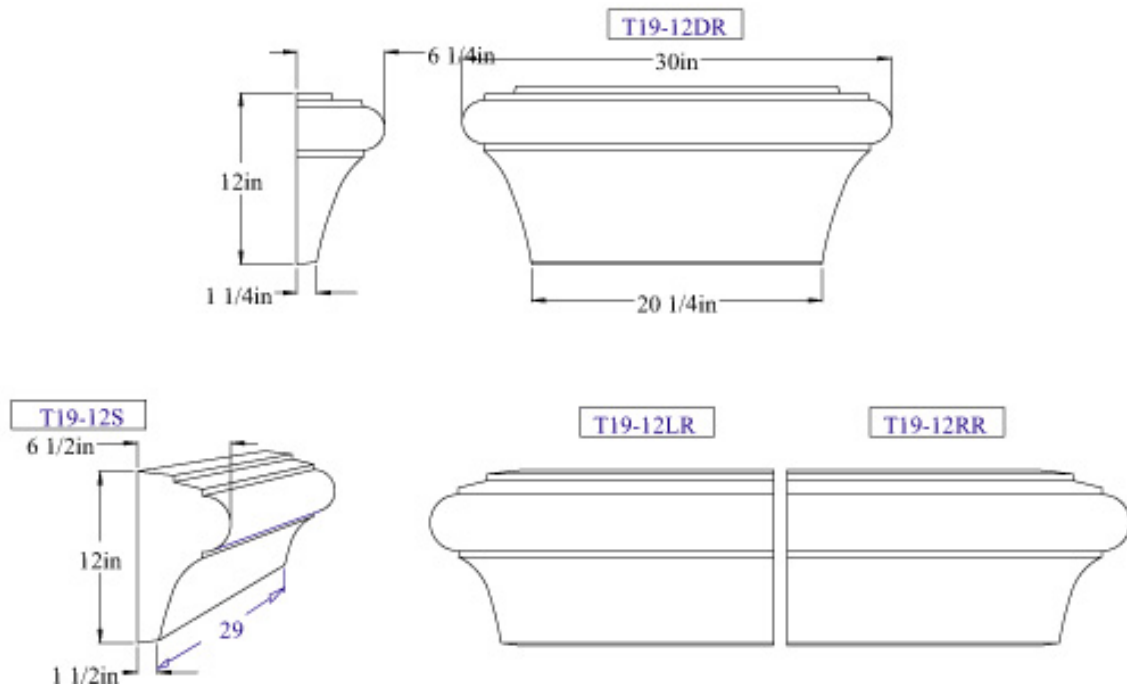
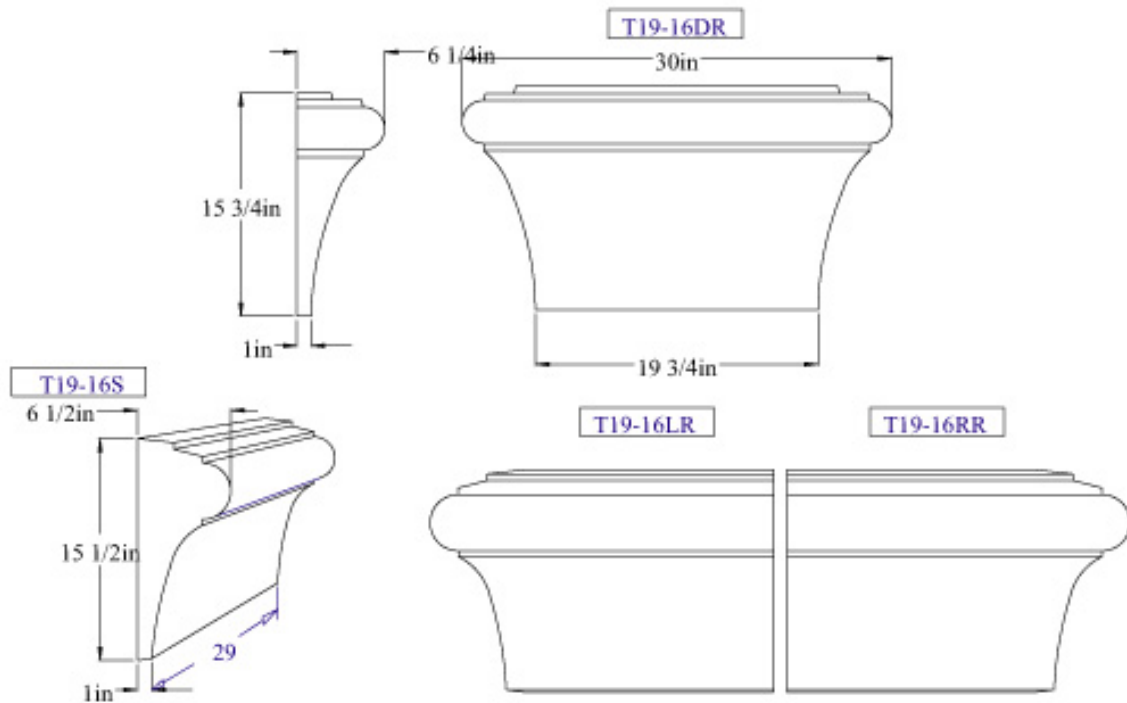
TRIM & MOLDING



TRIM & MOLDING

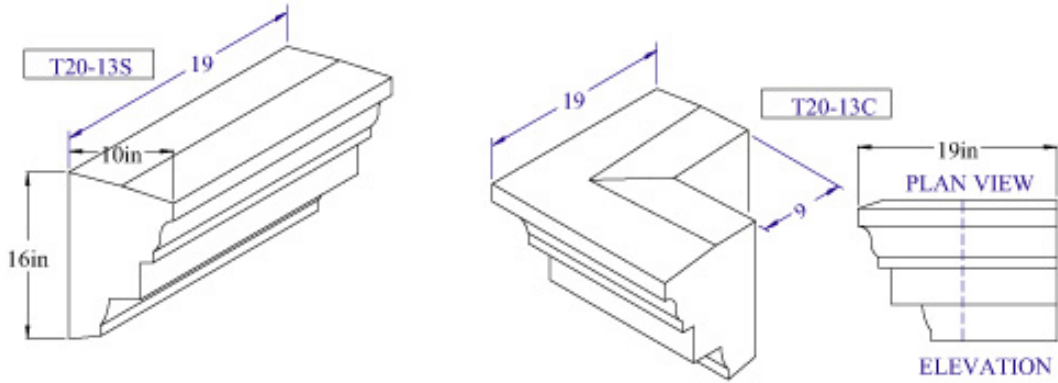


TRIM & MOLDING

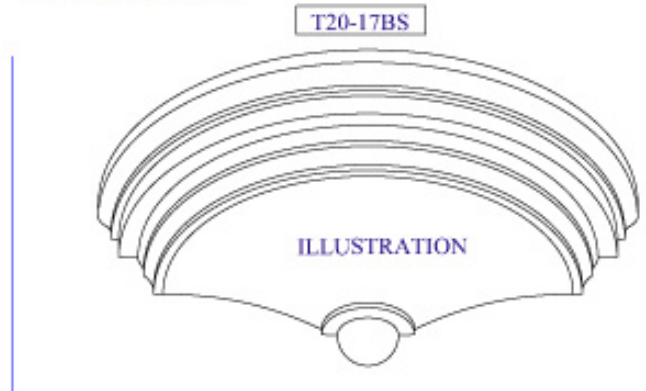
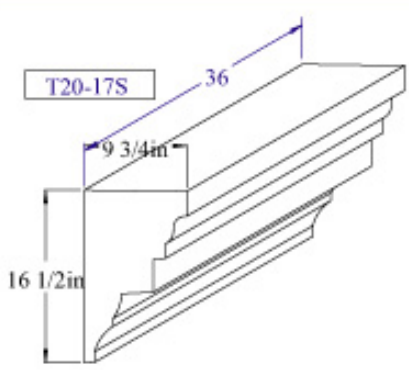
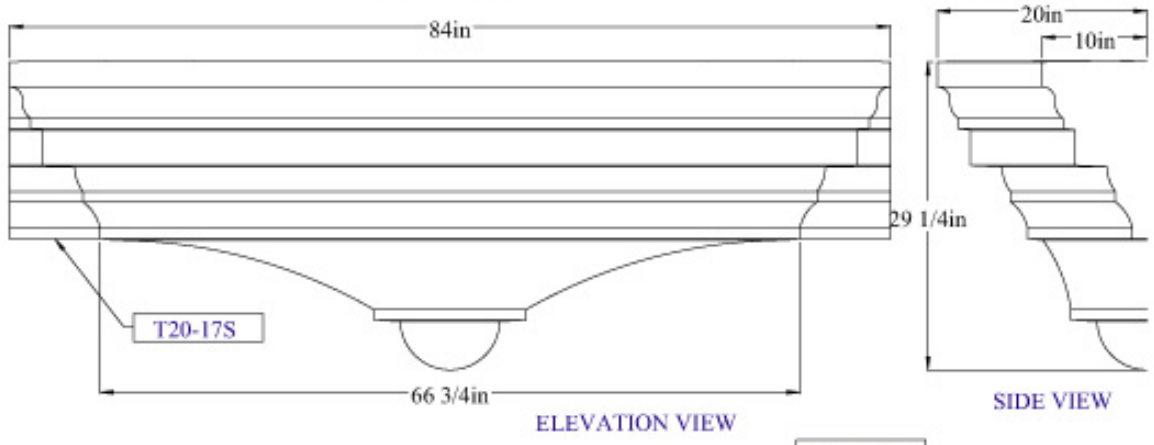


5 - 10

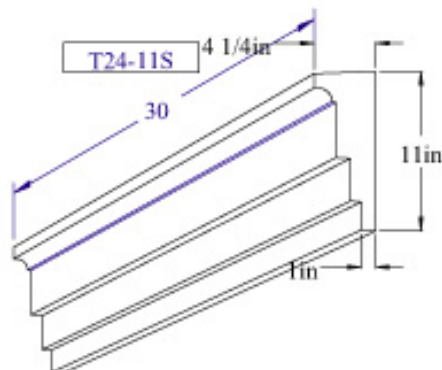
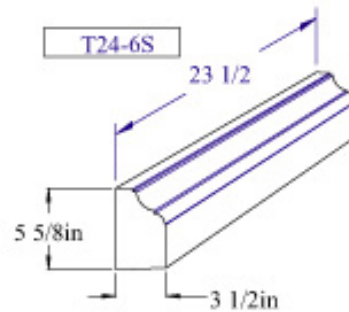
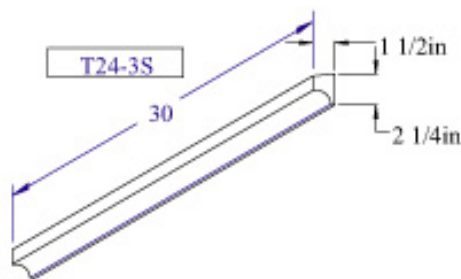
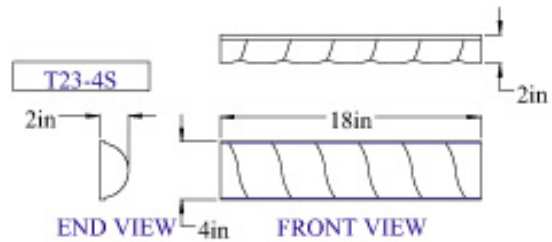
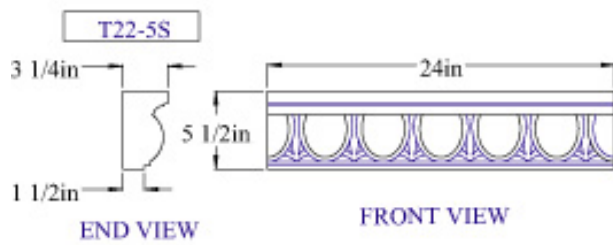
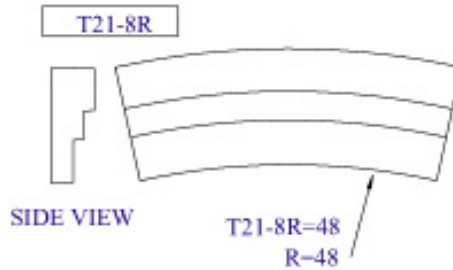
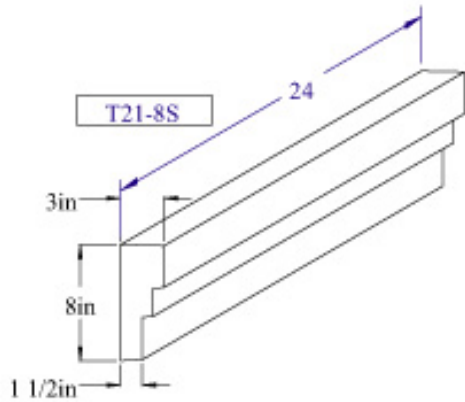
TRIM & MOLDING



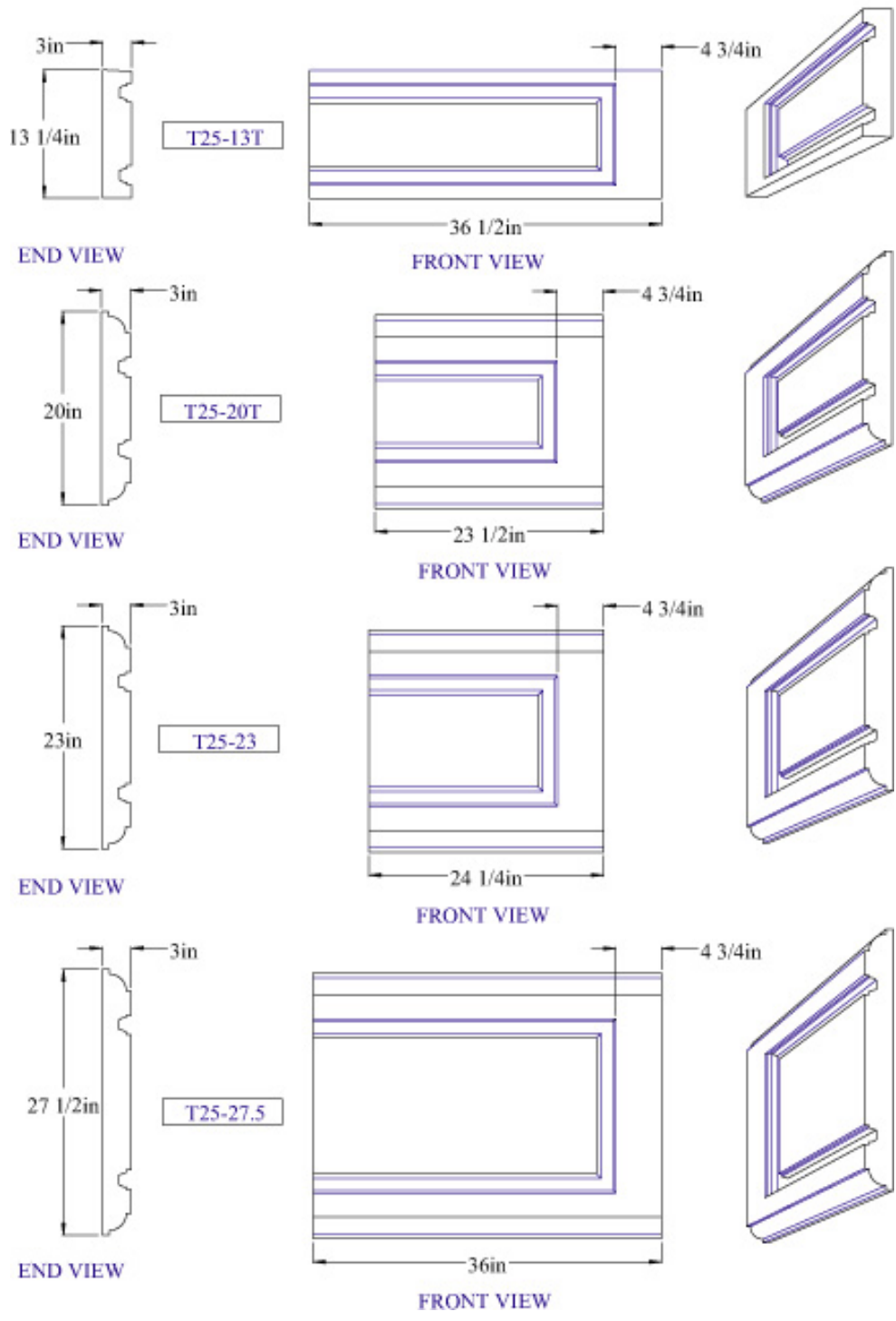
Window Sill to be used in conjunction with wall molding T20-17S



TRIM & MOLDING

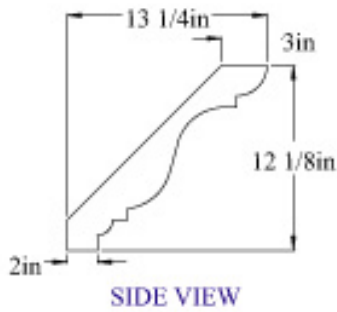


TRIM & MOLDING

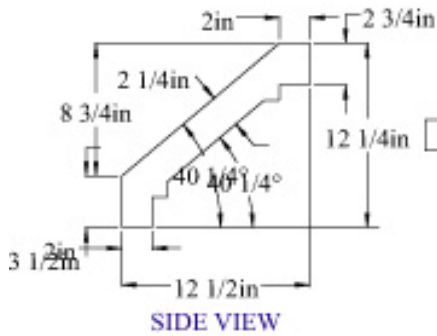
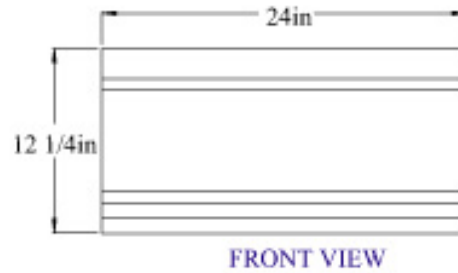


5 - 13

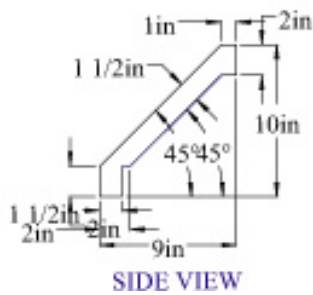
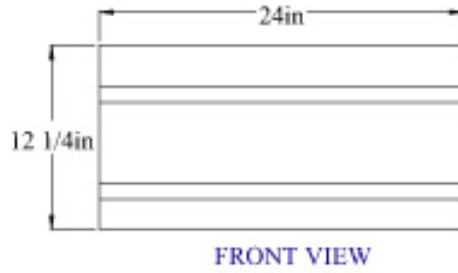
TRIM & MOLDING



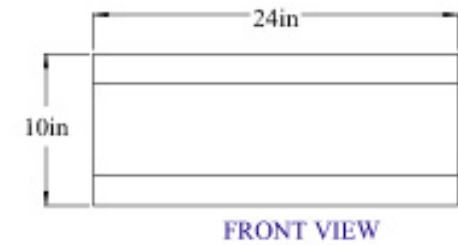
T26-A45



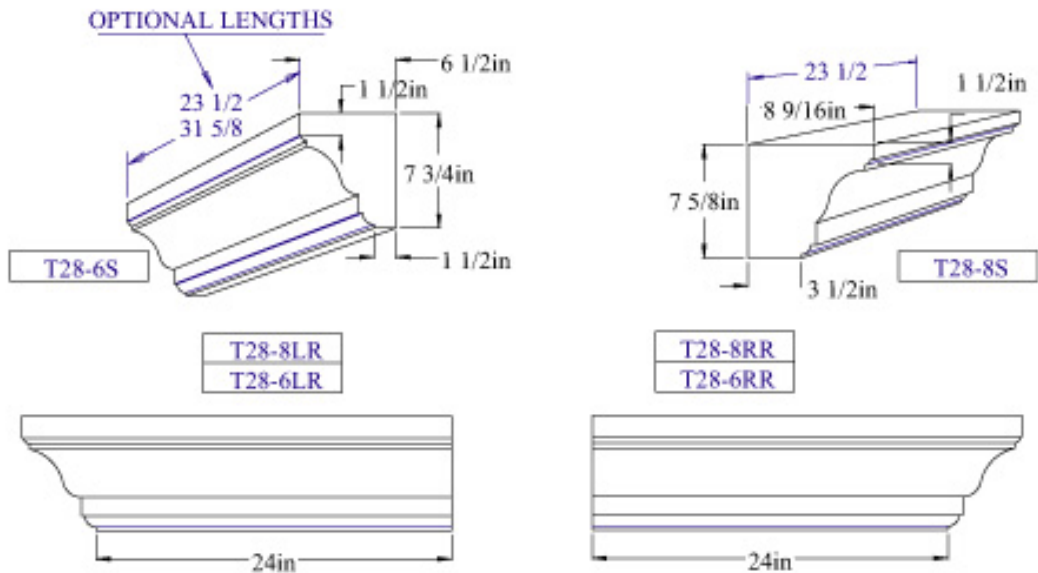
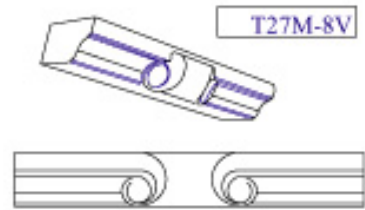
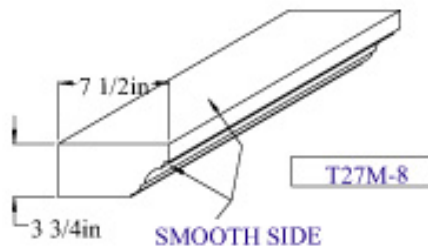
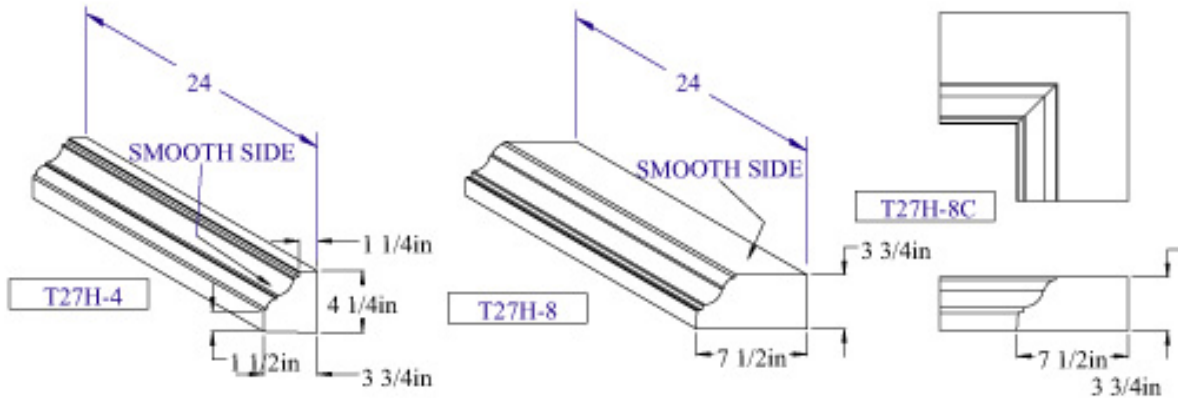
T26-B45



T26-C45



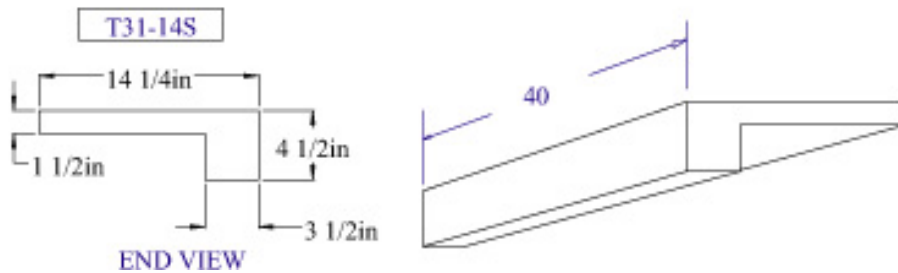
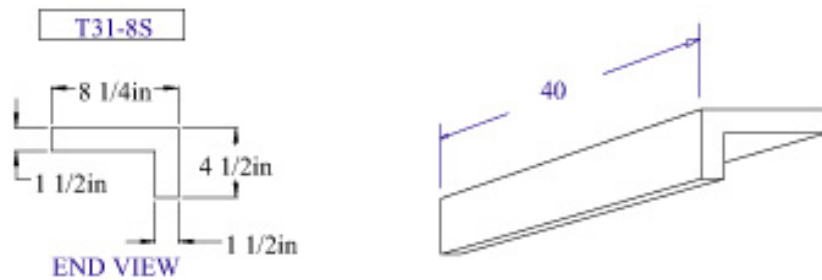
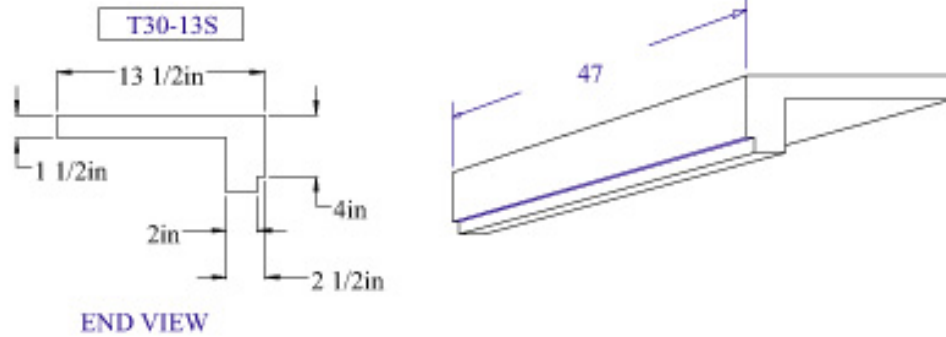
TRIM & MOLDING



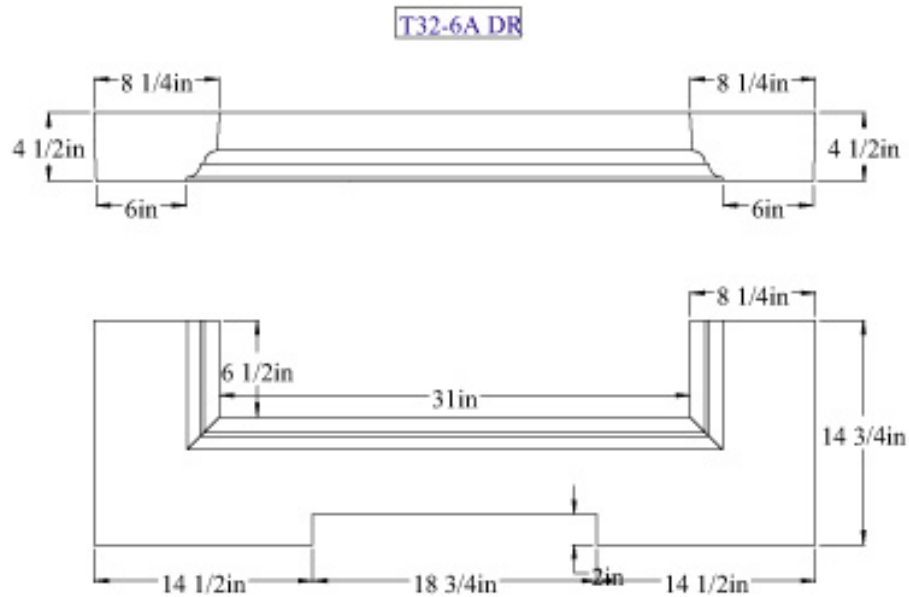
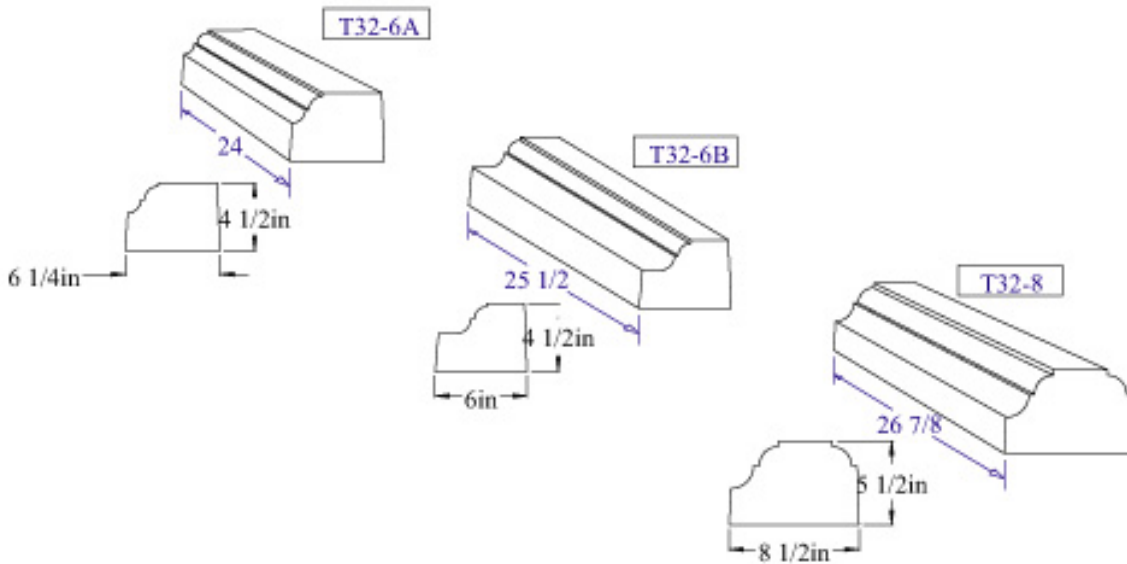
FRONT VIEW

5 - 15

TRIM & MOLDING

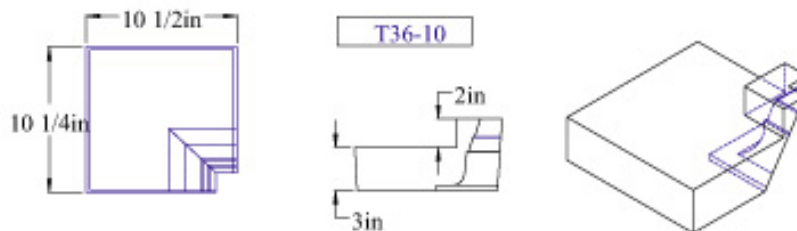
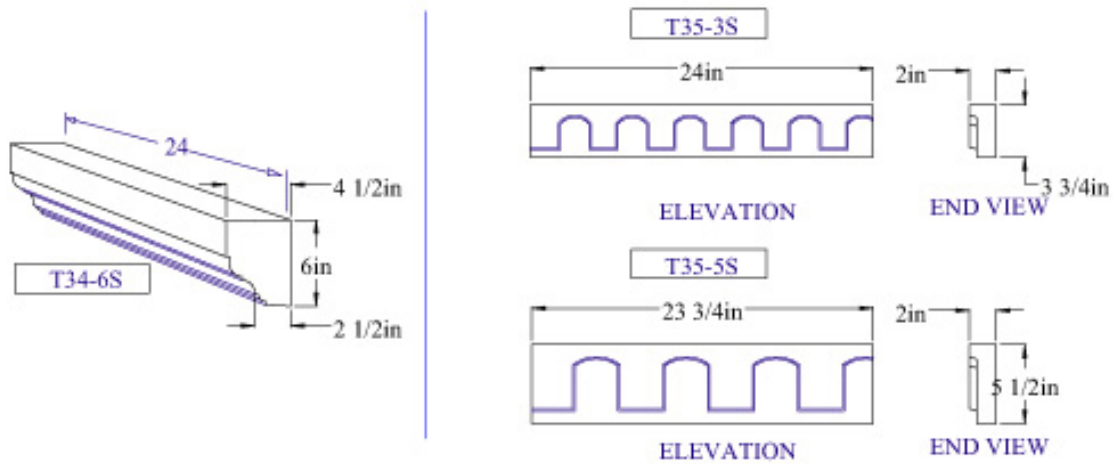
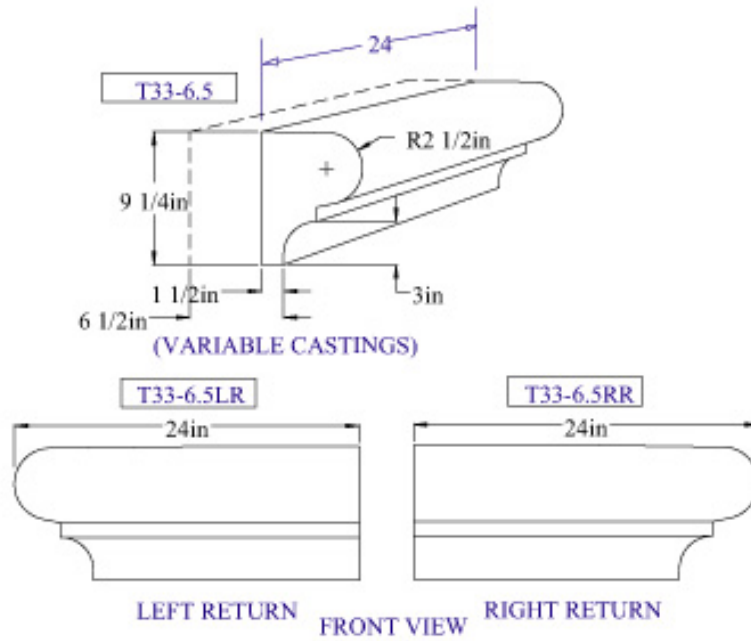


TRIM & MOLDING

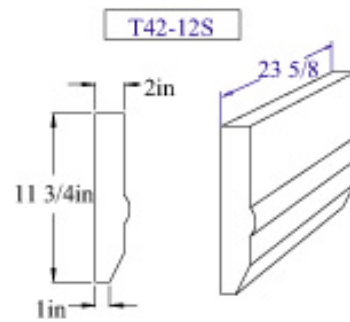
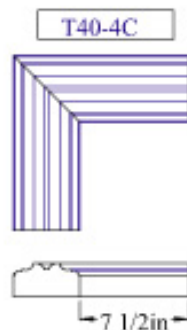
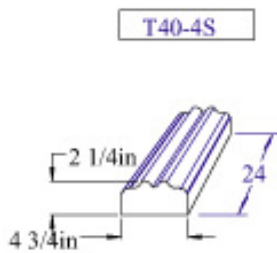
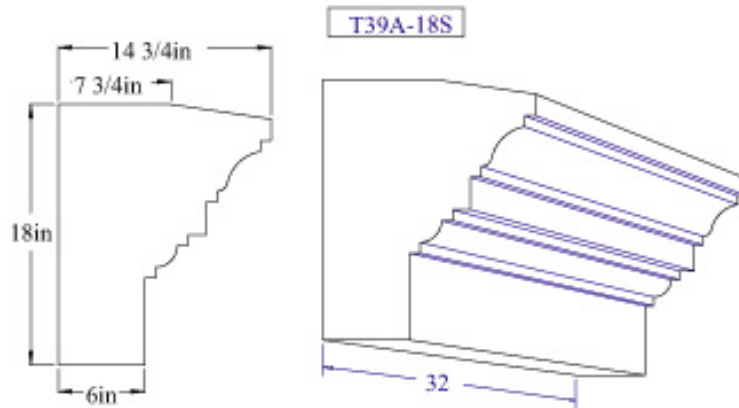
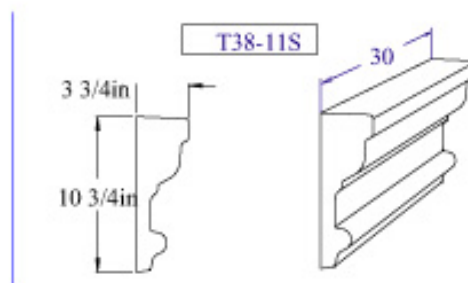
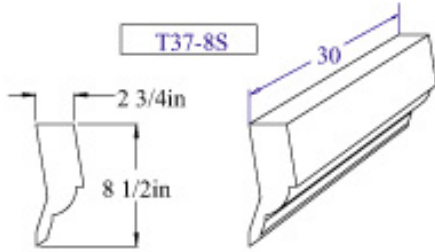


5 - 17

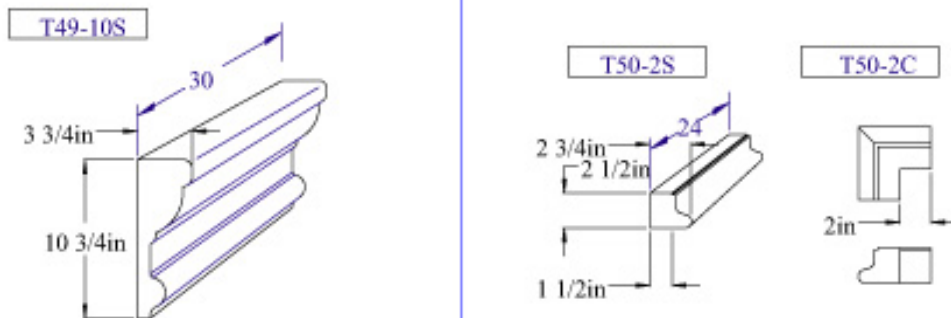
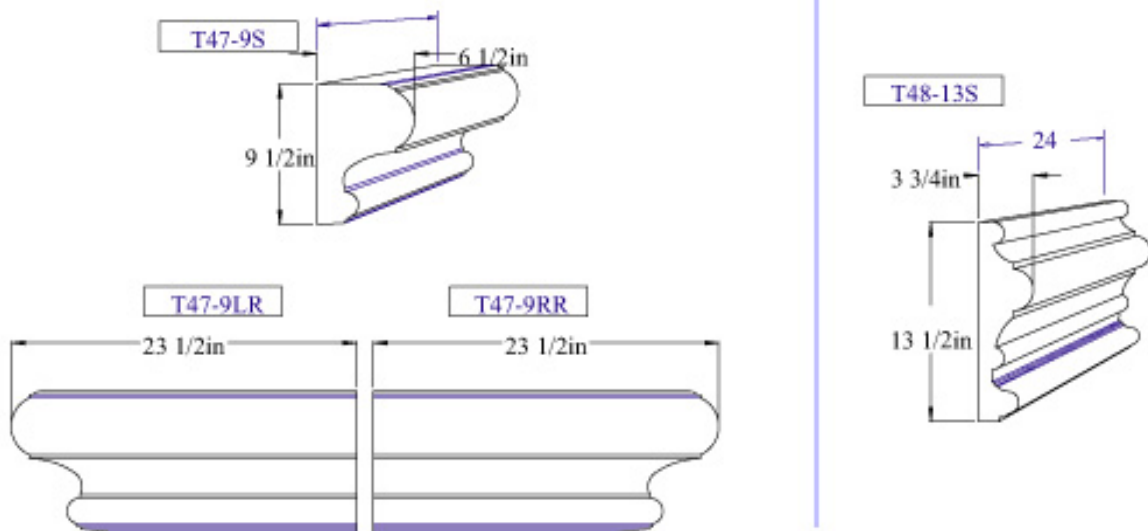
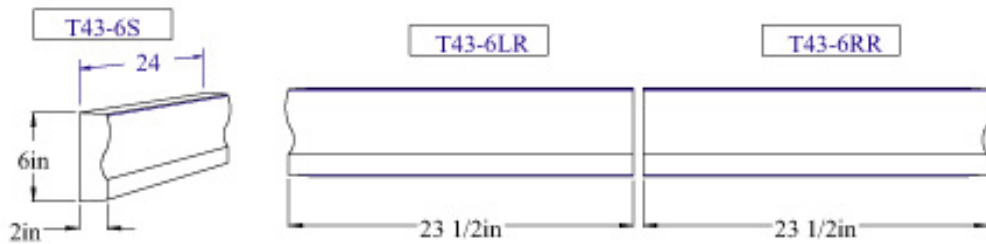
TRIM & MOLDING



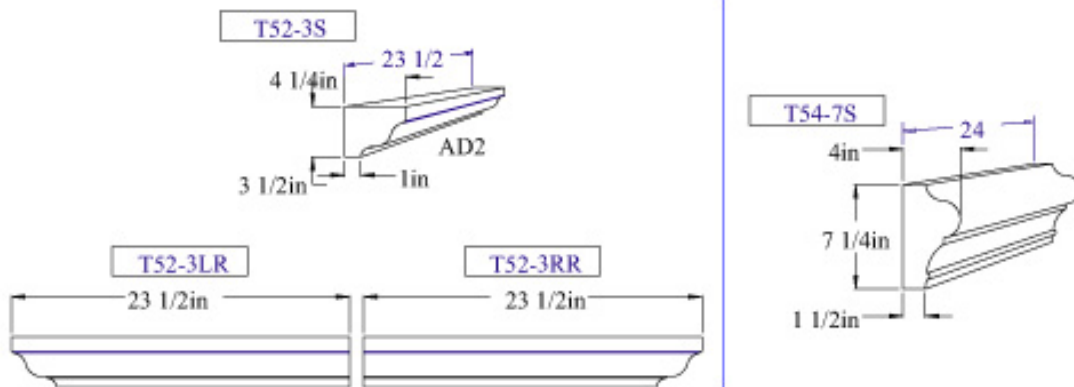
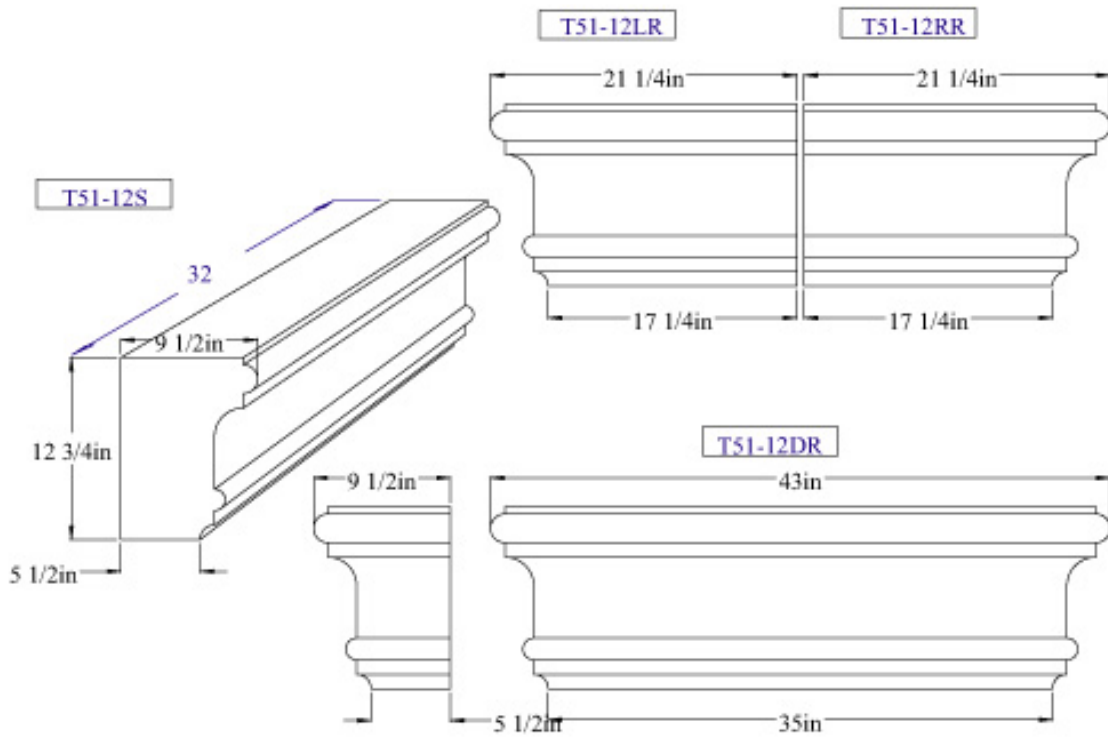
TRIM & MOLDING



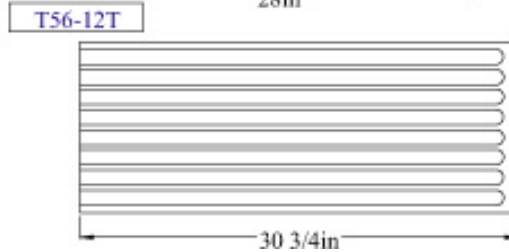
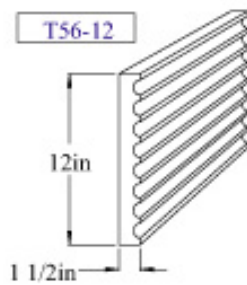
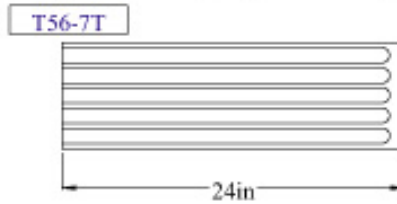
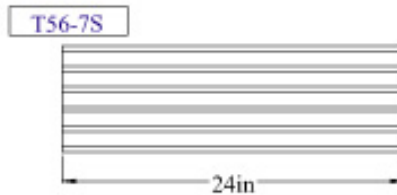
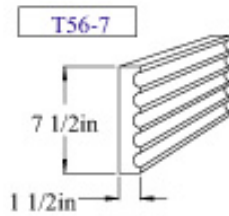
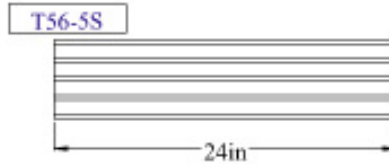
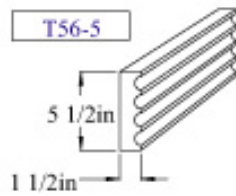
TRIM & MOLDING



TRIM & MOLDING



TRIM & MOLDING



TRIM & MOLDING

