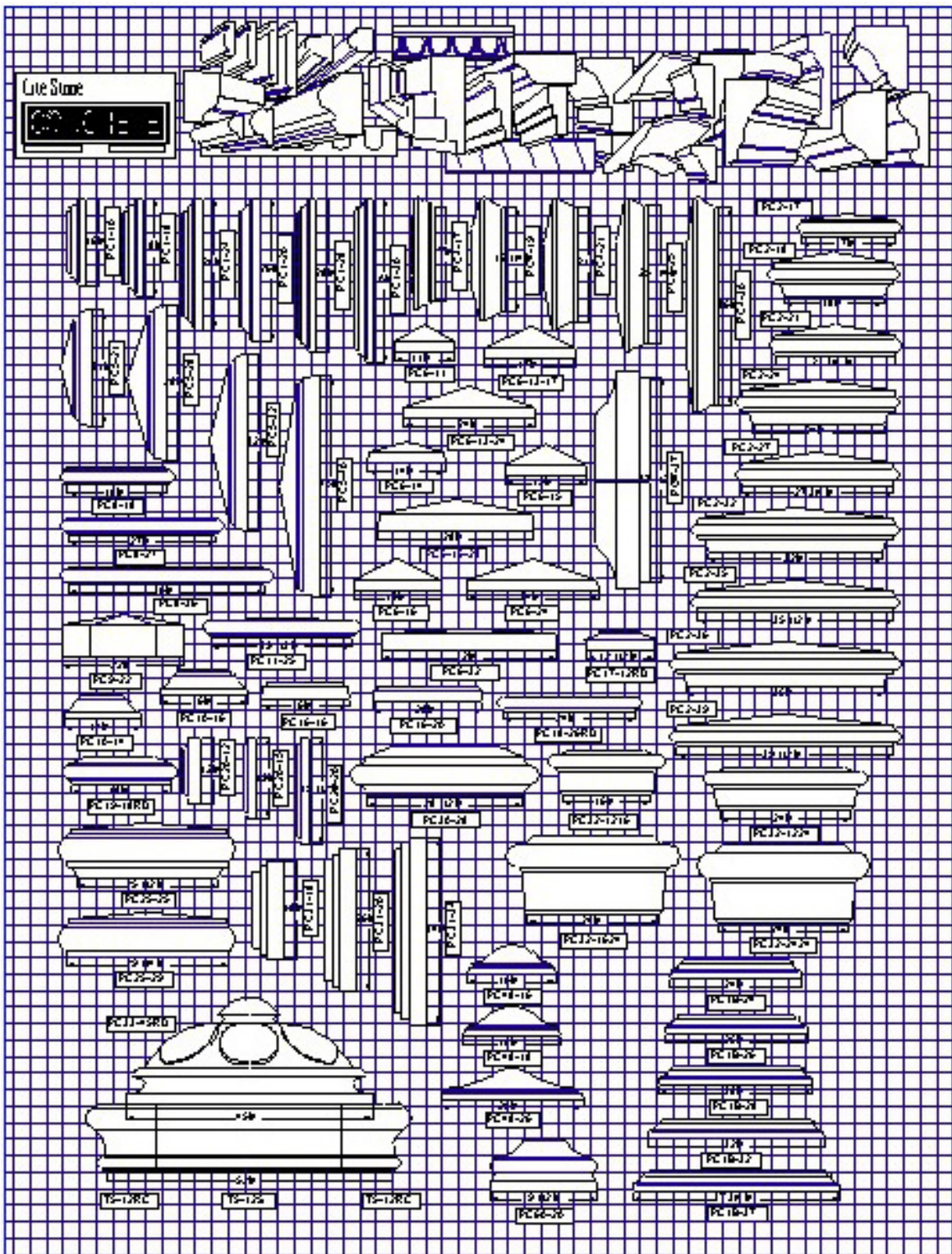


PILASTER CAPS  
SECTION 4

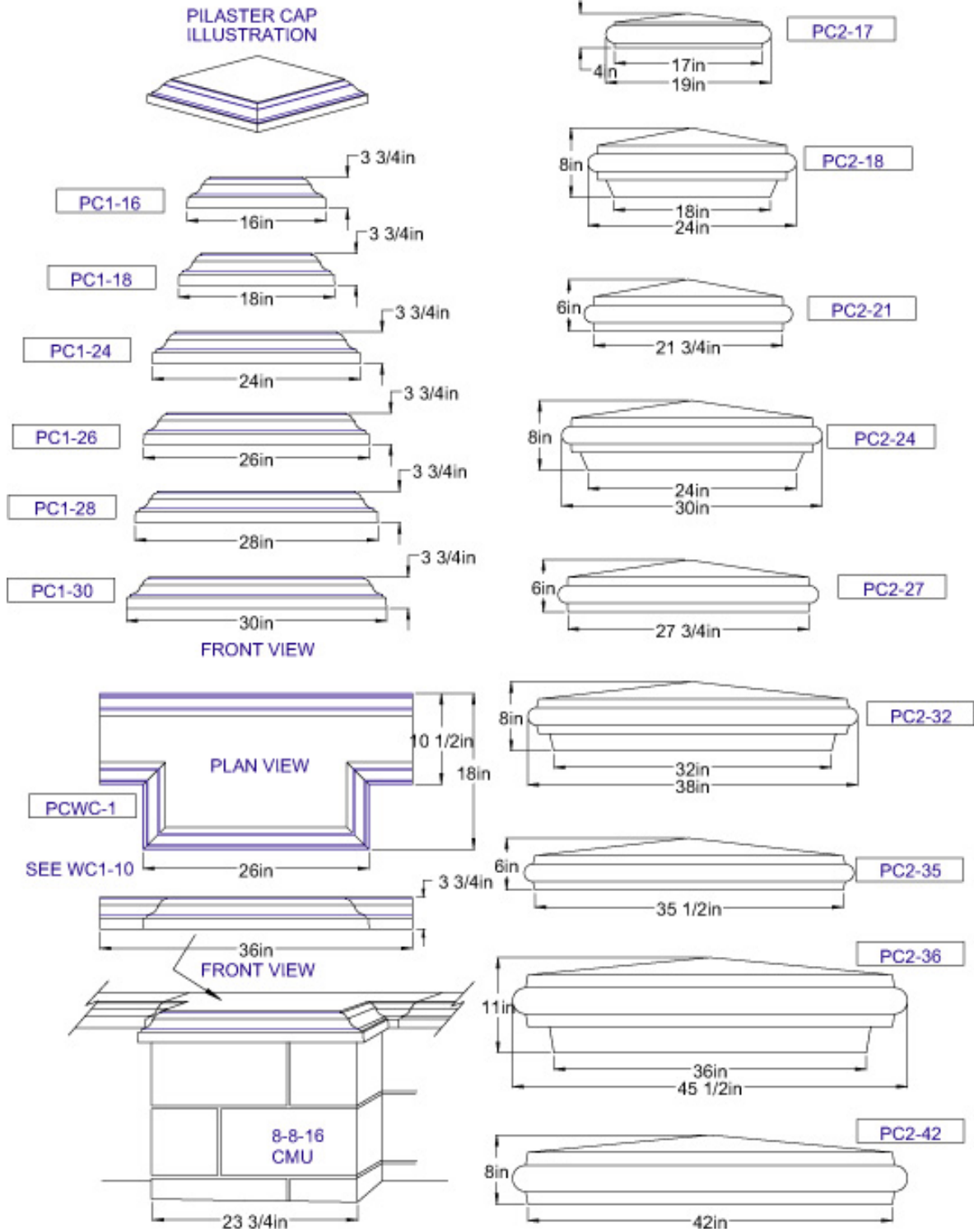


Originally, the plinth stone was a continuous course of stone which supported a given wall. On occasion, plinth stones are still utilized as structural members however they generally serve as decorative pieces which only provide the appearance of support at the exterior base of a wall. Plinth stones are sometimes incorrectly referred to as “wainscoting”. A “wainscot” is the term used for an exterior piece which is applied against the base of the wall and which usually extends at least 30 inches upward from the surface of the deck.



**Quick Reference - Pilaster Caps 1**

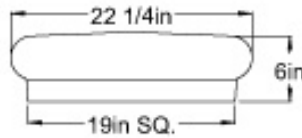
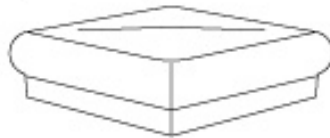
### PILASTER CAPS



4 - 1

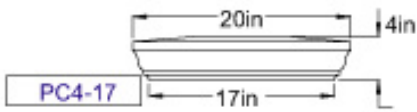
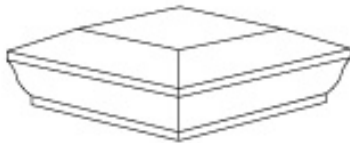
**PILASTER CAPS**

**PC3-19**



**FRONT VIEW**

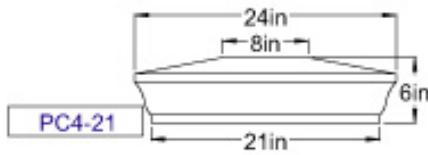
**PILASTER CAP ILLUSTRATION**



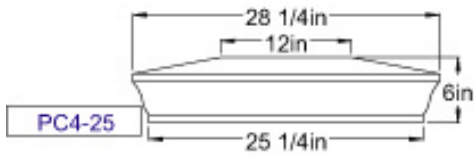
**PC4-17**



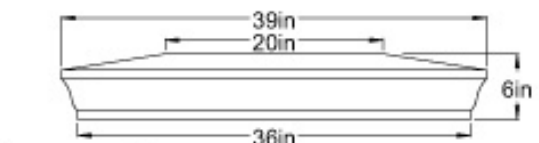
**PC4-19**



**PC4-21**



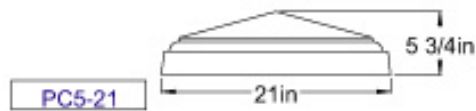
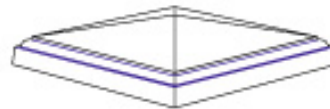
**PC4-25**



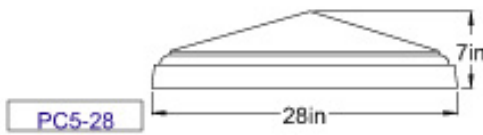
**PC4-36**

**FRONT VIEW**

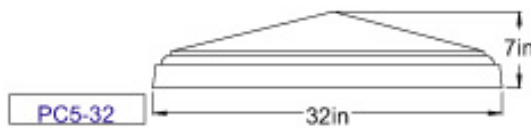
**PILASTER CAP ILLUSTRATION**



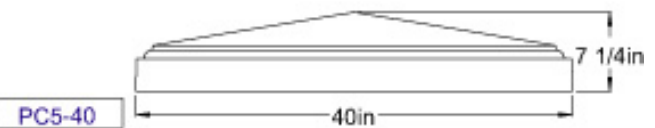
**PC5-21**



**PC5-28**



**PC5-32**



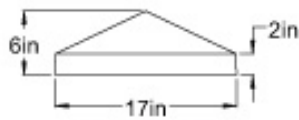
**PC5-40**

**ELEVATION**

**PILASTER CAPS**



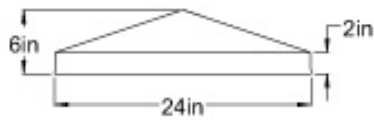
TOP VIEW



PC6-13-17  
FRONT VIEW



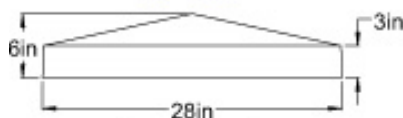
TOP VIEW



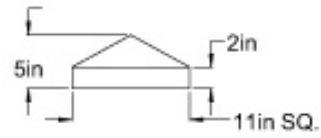
PC6-13-24  
FRONT VIEW



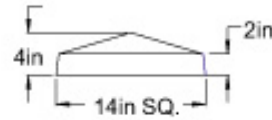
TOP VIEW



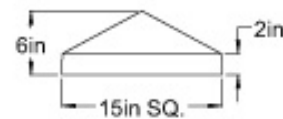
PC6-16-28  
FRONT VIEW



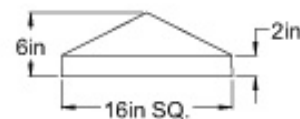
PC6-11



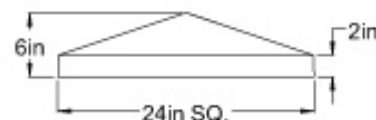
PC6-14



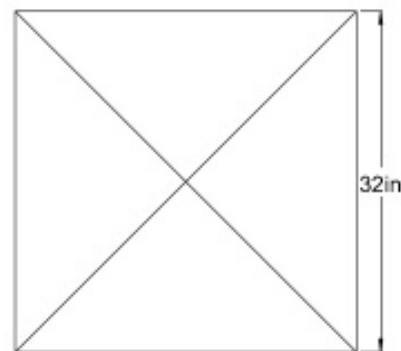
PC6-15



PC6-16



PC6-24  
FRONT VIEW



TOP VIEW



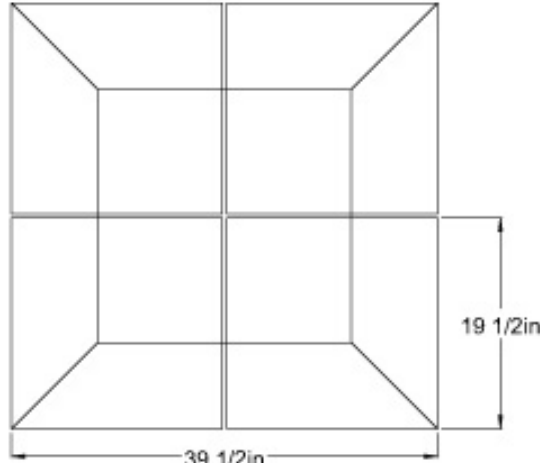
PC6-32  
FRONT VIEW

### PILASTER CAPS

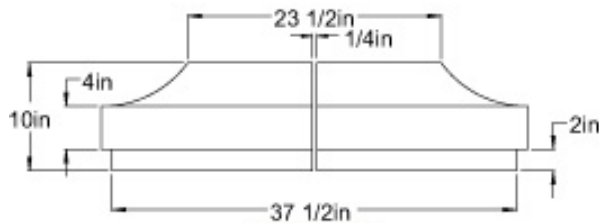


AUXILIARY VIEW

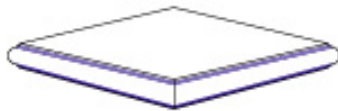
PC7-37  
4 PIECE PILASTER CAP



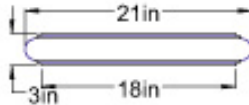
PLAN VIEW



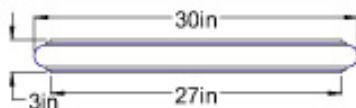
ELEVATION



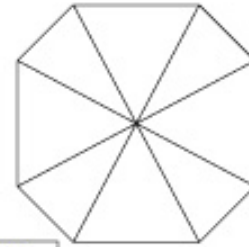
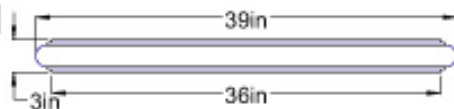
PC8-18



PC8-27

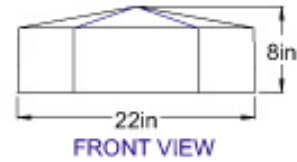


PC8-36



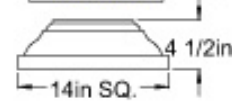
PC9-22

PLAN VIEW

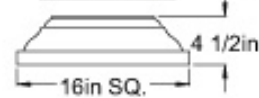


FRONT VIEW

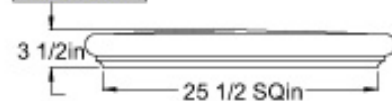
PC10-14



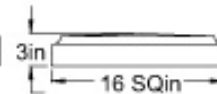
PC10-16



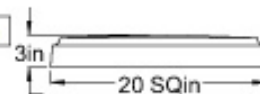
PC11-25



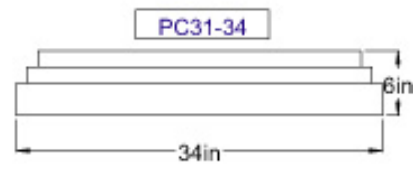
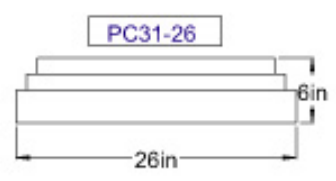
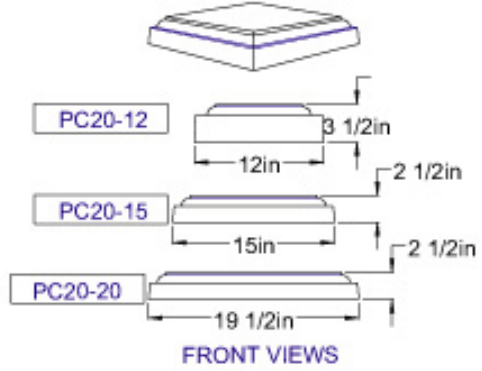
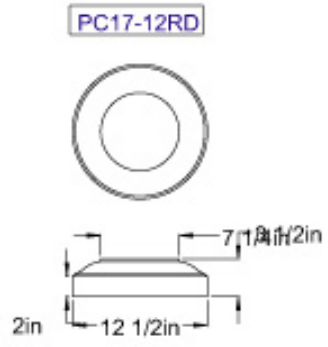
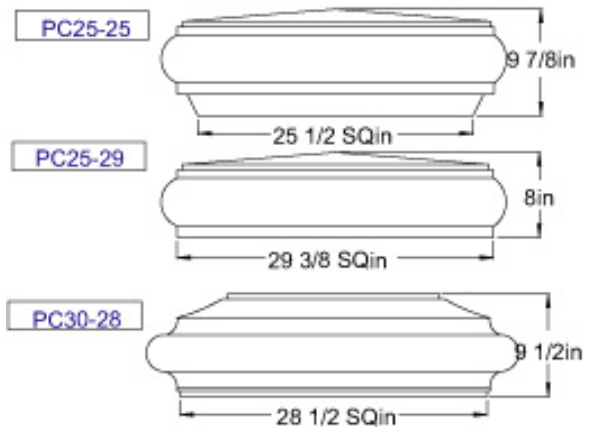
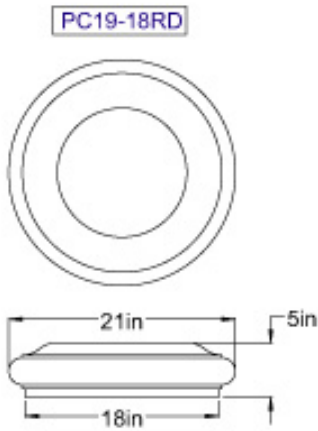
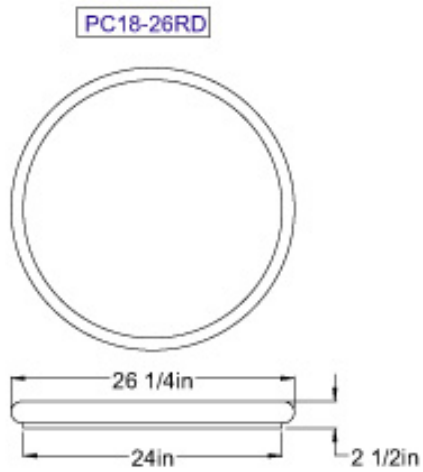
PC16-16



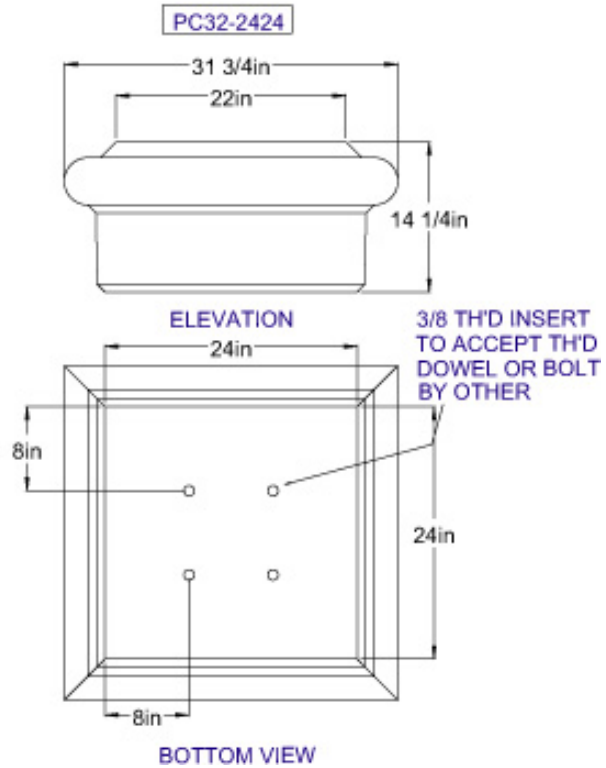
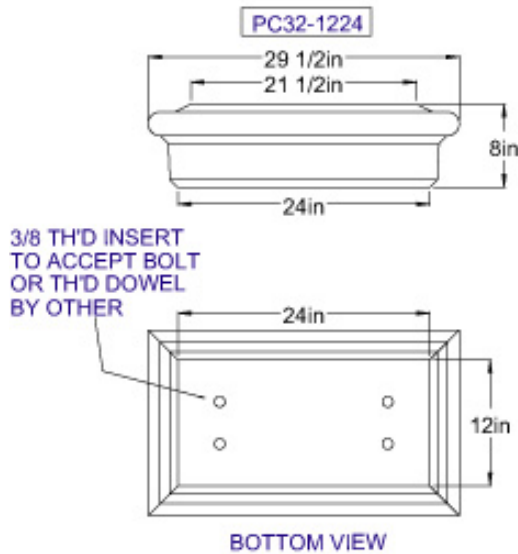
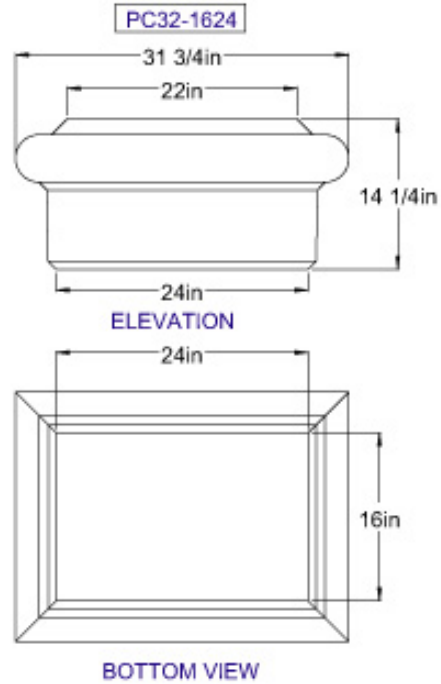
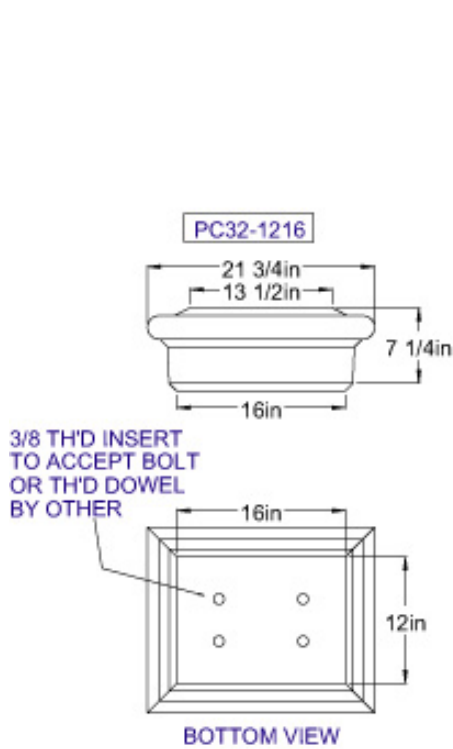
PC16-20



**PILASTER CAPS**

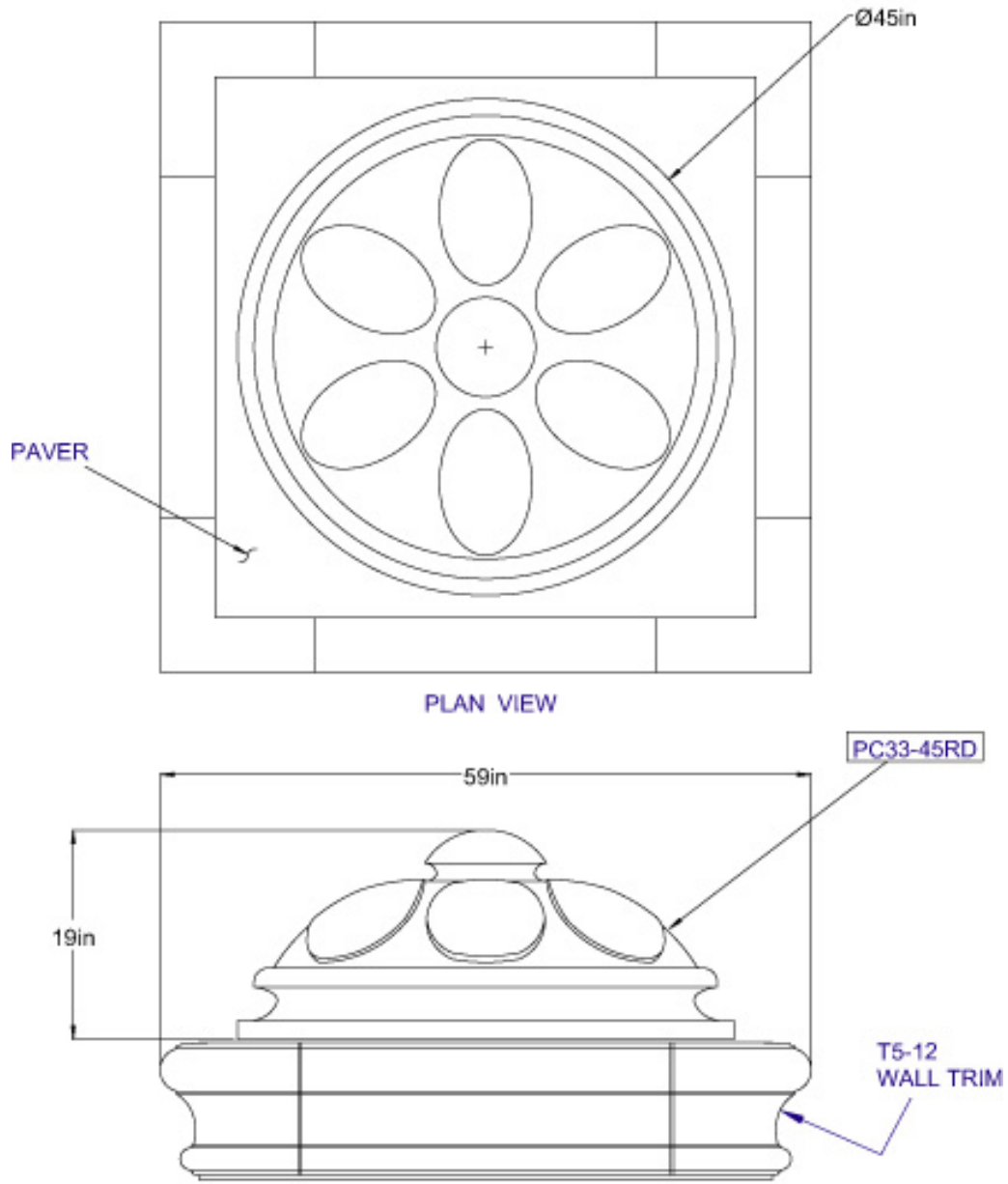


**PILASTER CAPS**





PILASTER CAPS



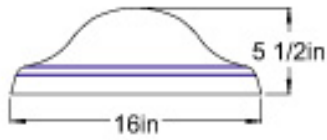
PLAN VIEW

ELEVATION VIEW

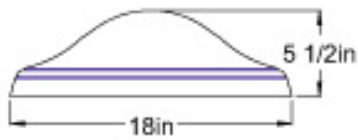
4 - 7

**PILASTER CAPS**

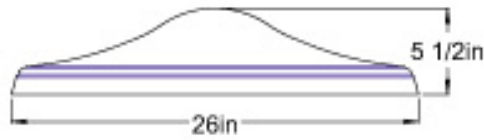
PC48-16



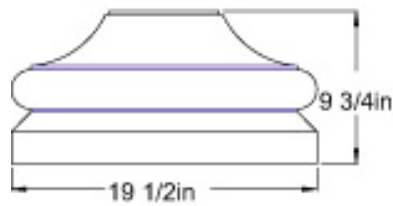
PC48-18



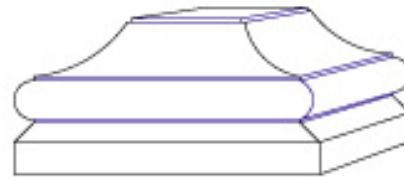
PC48-26



PC60-20



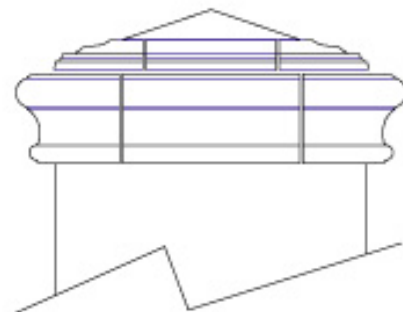
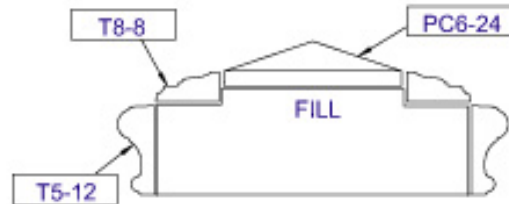
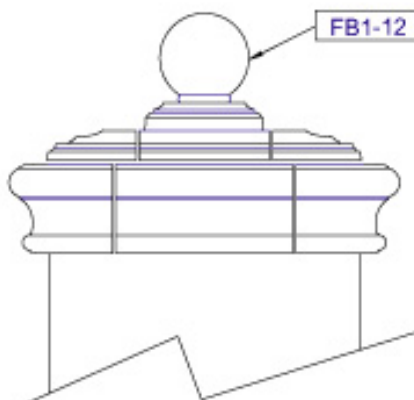
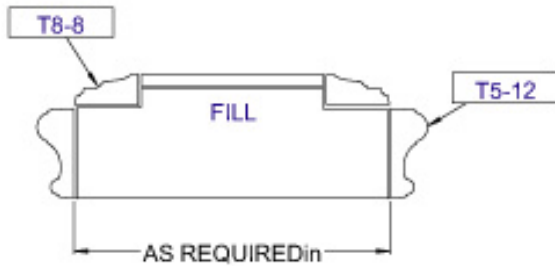
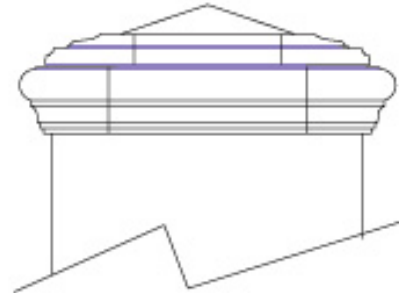
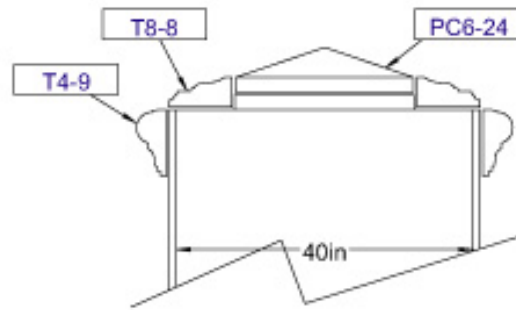
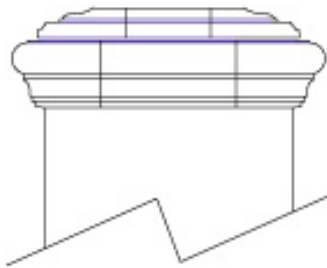
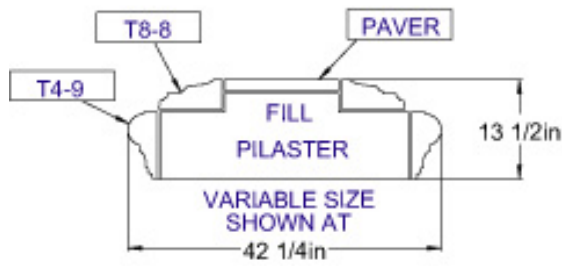
PILASTER CAP  
 ILLUSTRATION



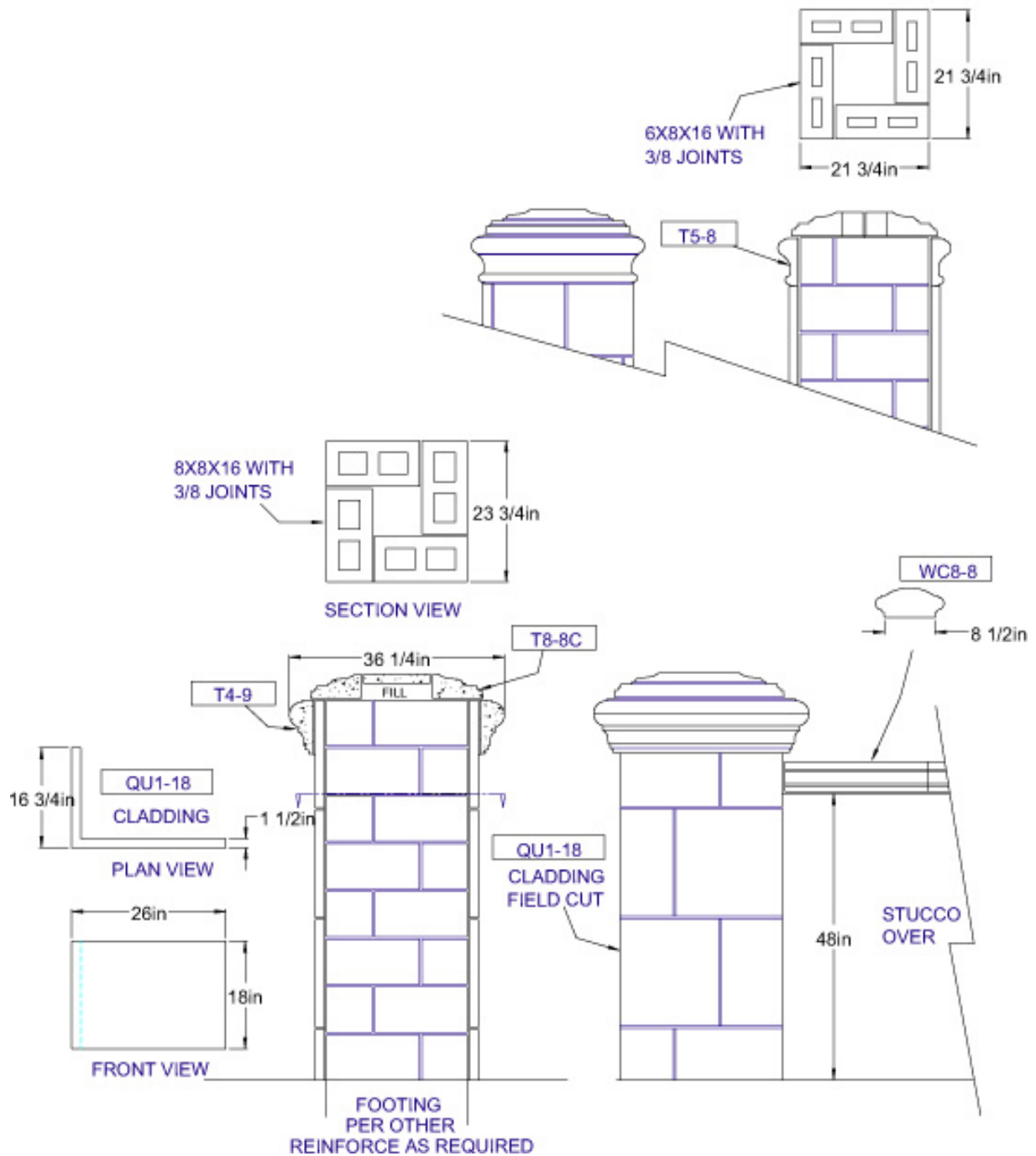
**R. C. CONSTRUCTION**

**4 - 8**

**PILASTER CAP ASSEMBLIES**



**PILASTER CAPS ASSEMBLIES**



4 - 10

**PILASTER CAPS  
AND ILLUSTRATION**

