

TABLE OF CONTENT

COLUMNS	Sec. <a href="#">1</a>	Catalog Page <a href="#">1</a>
BALUSTRADE	Sec. <a href="#">2</a>	Catalog Page <a href="#">11</a>
WALL CAPS	Sec. <a href="#">3</a>	Catalog Page <a href="#">23</a>
PILASTER CAPS	Sec. <a href="#">4</a>	Catalog Page <a href="#">43</a>
TRIM & MOLDING	Sec. <a href="#">5</a>	Catalog Page <a href="#">56</a>
KEYSTONES, CORBELS & QUOINS	Sec. <a href="#">6</a>	Catalog Page <a href="#">81</a>
PLINTHS	Sec. <a href="#">7</a>	Catalog Page <a href="#">87</a>
QUATREFOILS	Sec. <a href="#">8</a>	Catalog Page <a href="#">92</a>
SILLS	Sec. <a href="#">9</a>	Catalog Page <a href="#">96</a>
FIREPLACE SURROUNDS	Sec. <a href="#">10</a>	Catalog Page <a href="#">101</a>
MONUMENT SIGNS	Sec. <a href="#">11</a>	Catalog Page <a href="#">124</a>

## COLUMNS

### SECTION 1

GREEK CORINTHIAN CAPITALS  
COLUMN BASES  
TUSCAN COLUMNS  
SCAMOZZI CAPITALS  
STACKABLE COLUMNS  
ROMAN CORINTHIAN CAPITALS

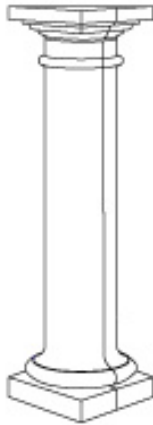
**Lite Stone Concrete** offers a large selection of column styles which are supplied in a wide variety of heights and shaft diameters. Most columns are available on a custom option basis.

Columns are intended to serve as non-structural decorative elements. They are supplied as splits, and are to be installed around an existing structural member. Stackable and two piece designs are available in a wide variety of sizes and styles. Chase size should be verified in order to insure that the selected column will accommodate the intended structural support. Column heights can be adjusted by fabricating a supporting base which may be clad in matching material.

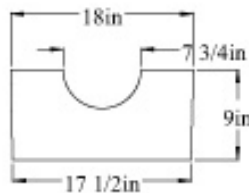


Our sales and design staff are available to aid in the selection of our product in order to determine the correct column for your application. In addition, a custom column may be developed in order to meet a specific design requirement.

### CLT SERIES COLUMNS

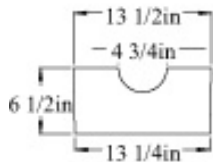


#	HEIGHT
CLT418	42 1/4"
CLT518	59"
CLT618	71"
CLT718	83"
CLT818	95"

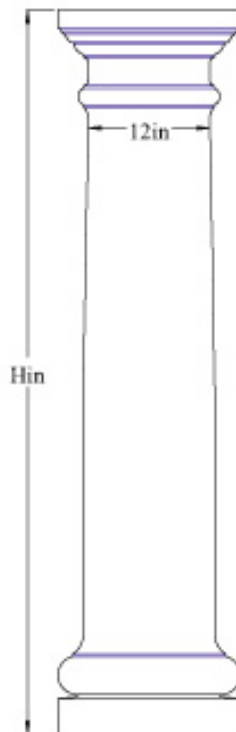
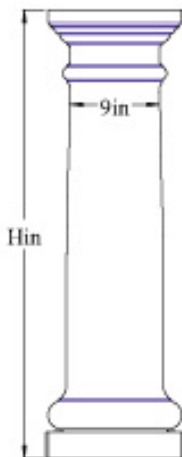


TOP VIEW

#	HEIGHT
CLT413	44"
CLT713	83"

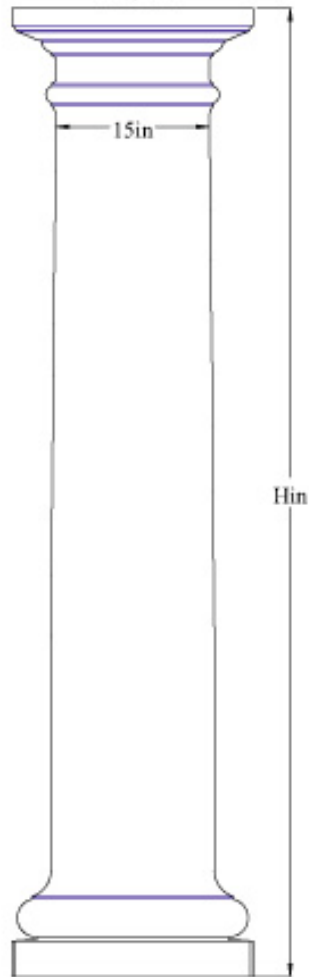
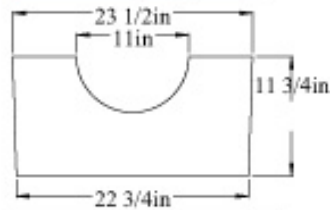


TOP VIEW

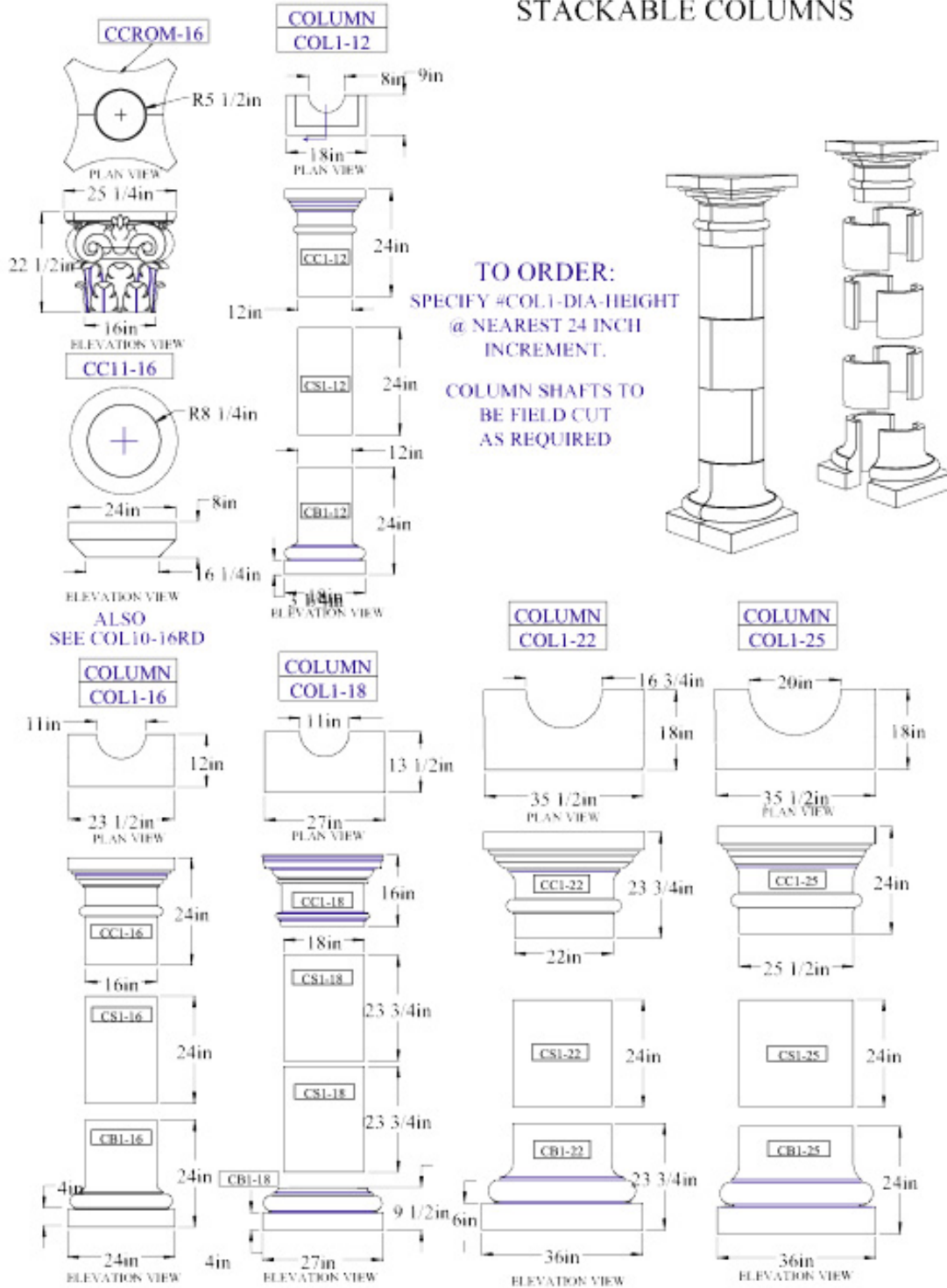


1 - 1

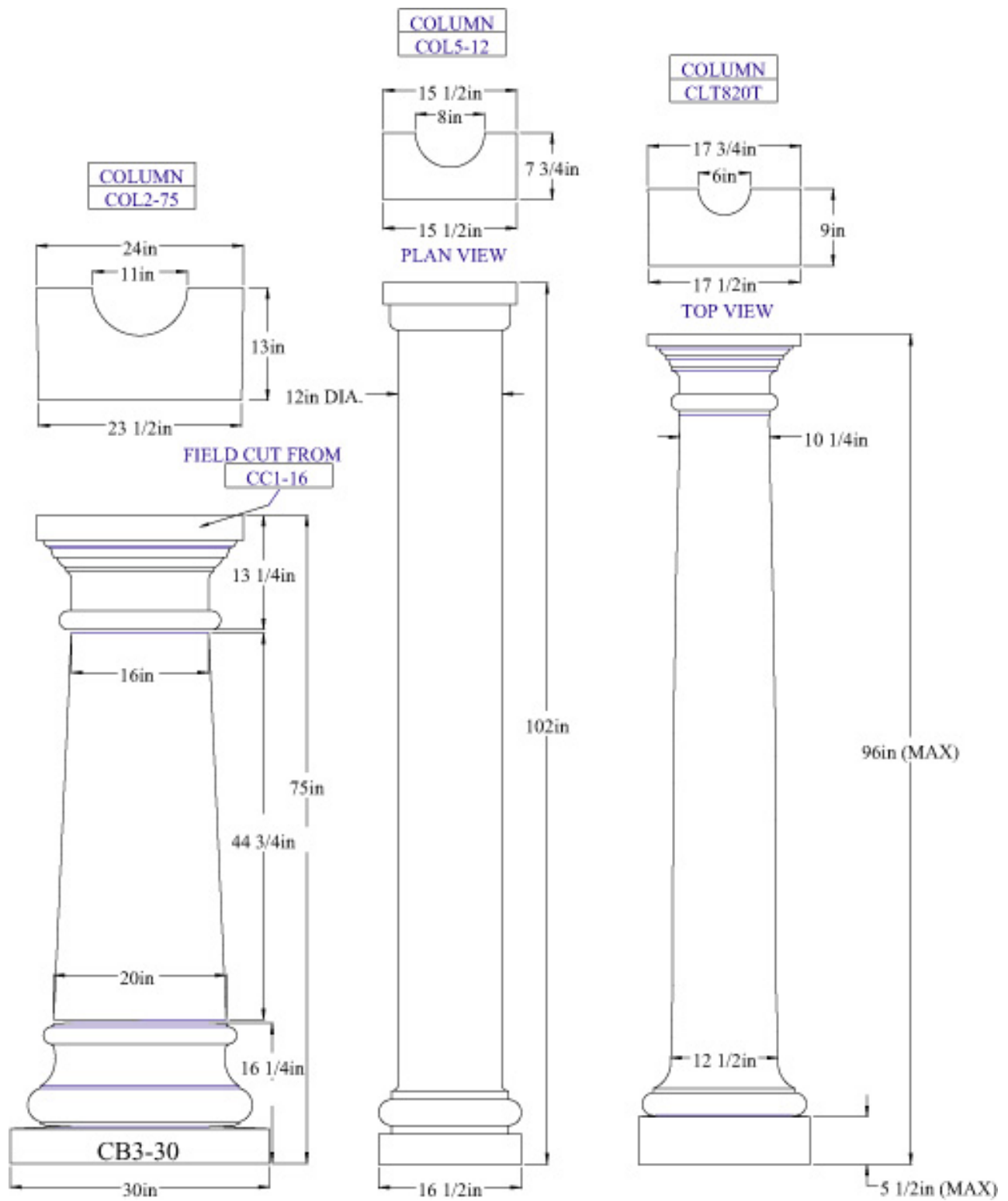
#	HEIGHT
CLT724	83"
CLT824	95"
CLT924	107"
CLT1024	119"



### COL1 SERIES STACKABLE COLUMNS



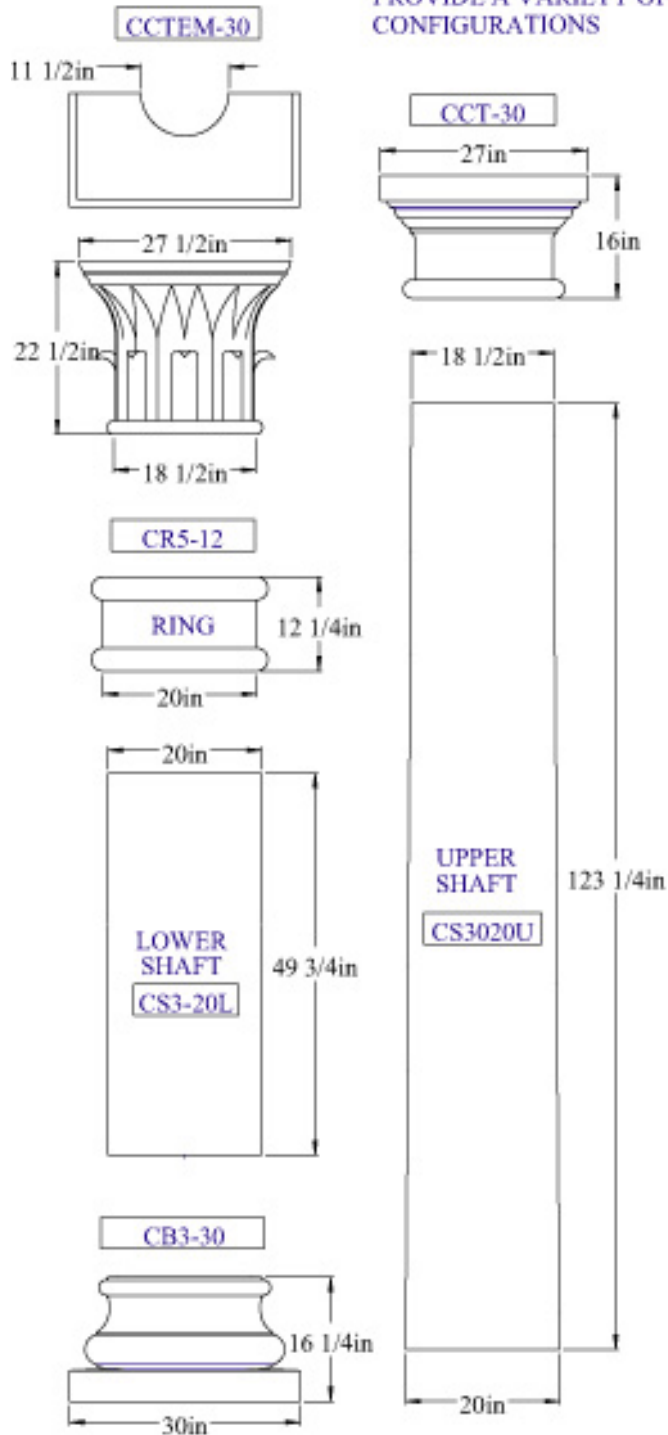




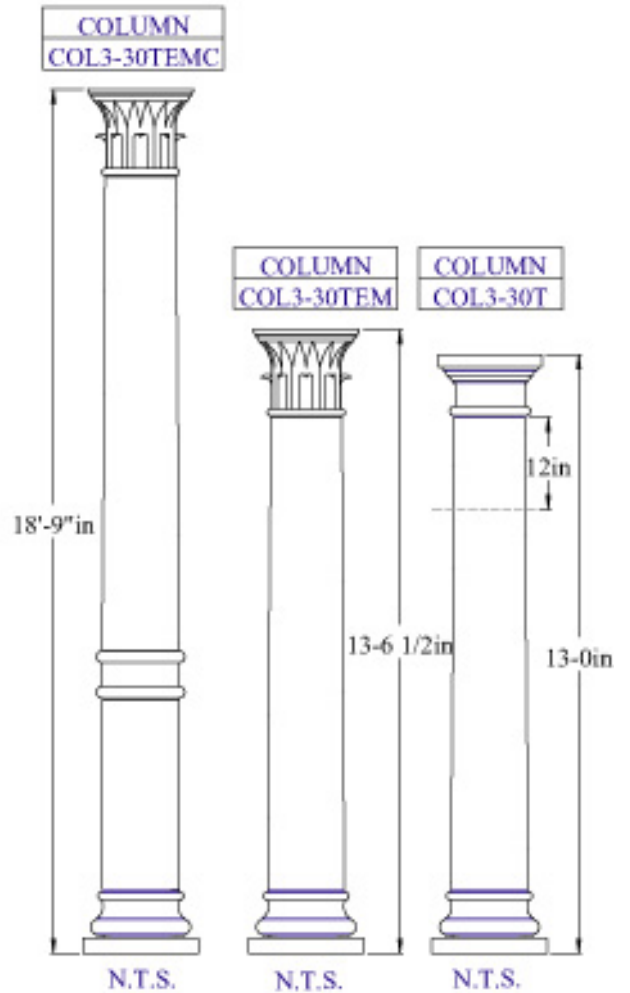
1 - 3

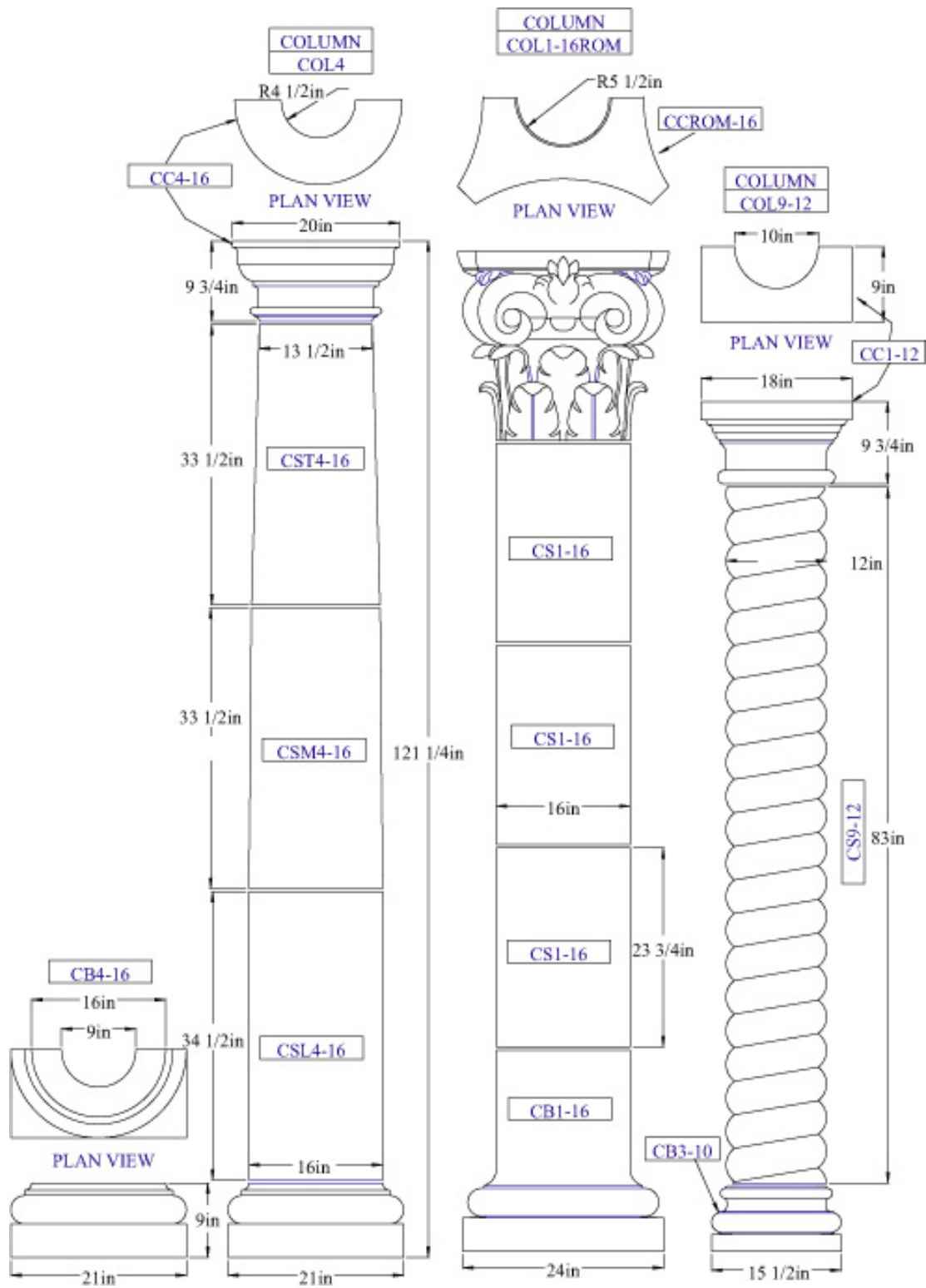


NOTE:  
COMPONENTS MAY BE  
STACKED & CUT TO  
PROVIDE A VARIETY OF  
CONFIGURATIONS

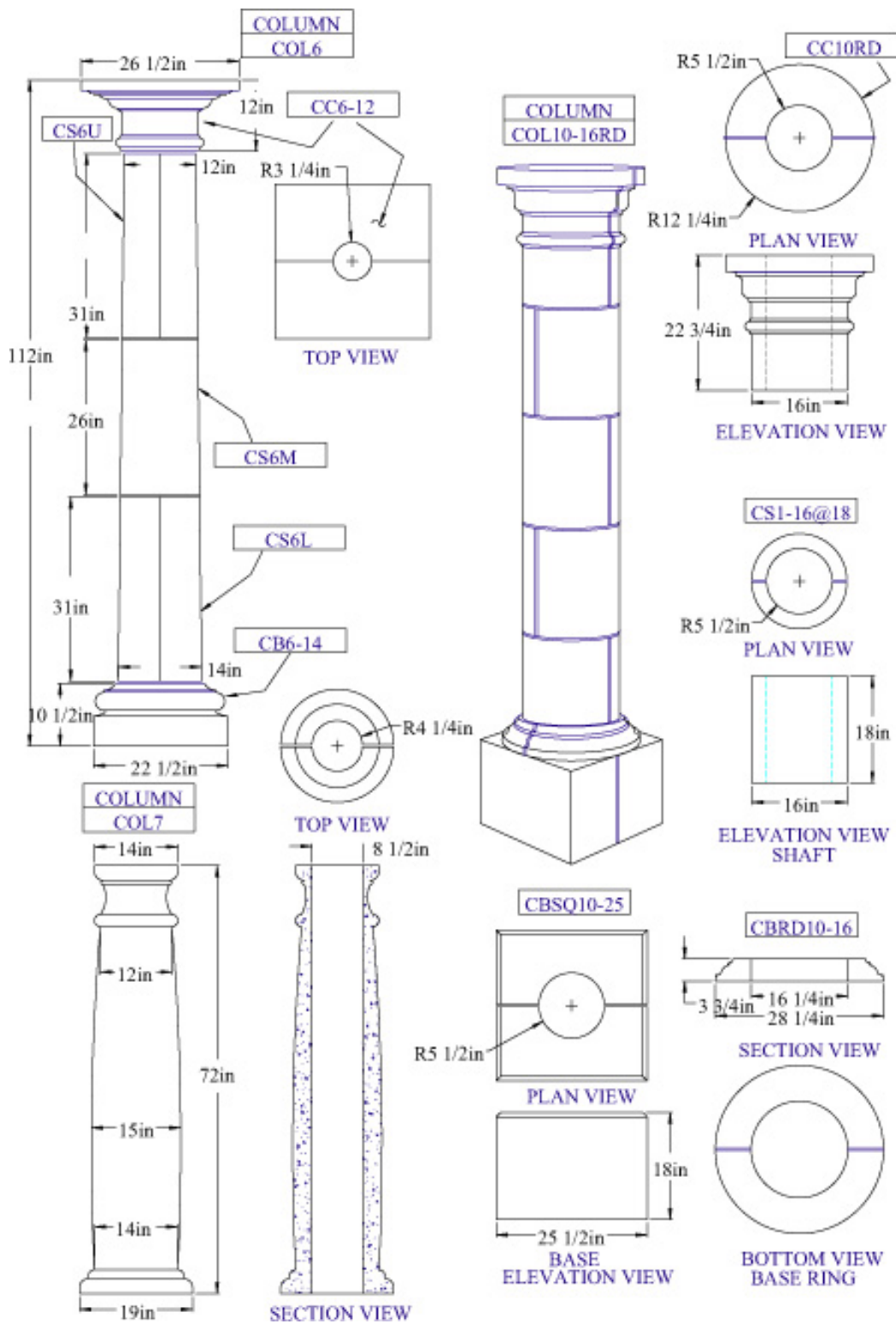


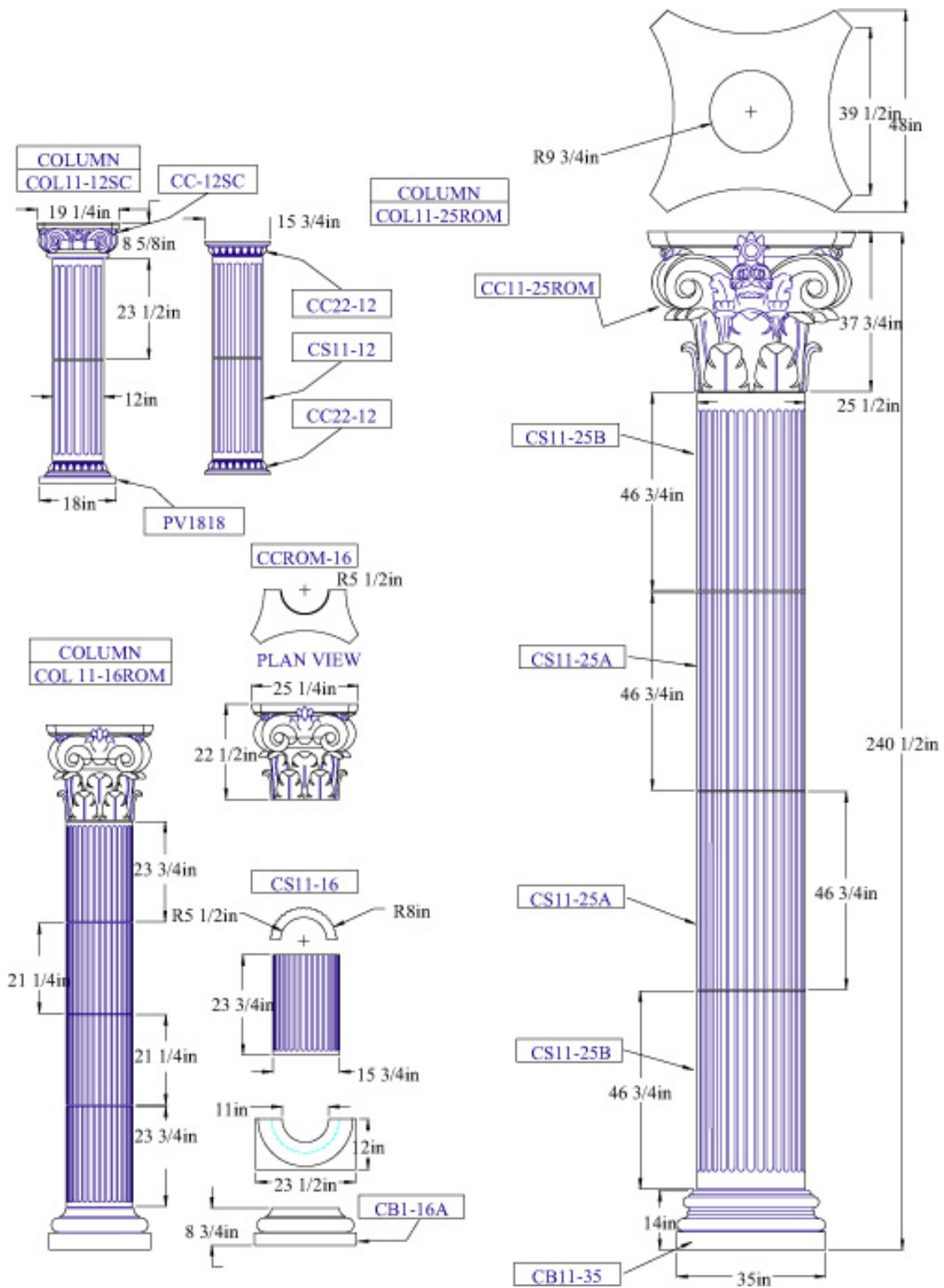
### COLUMNS



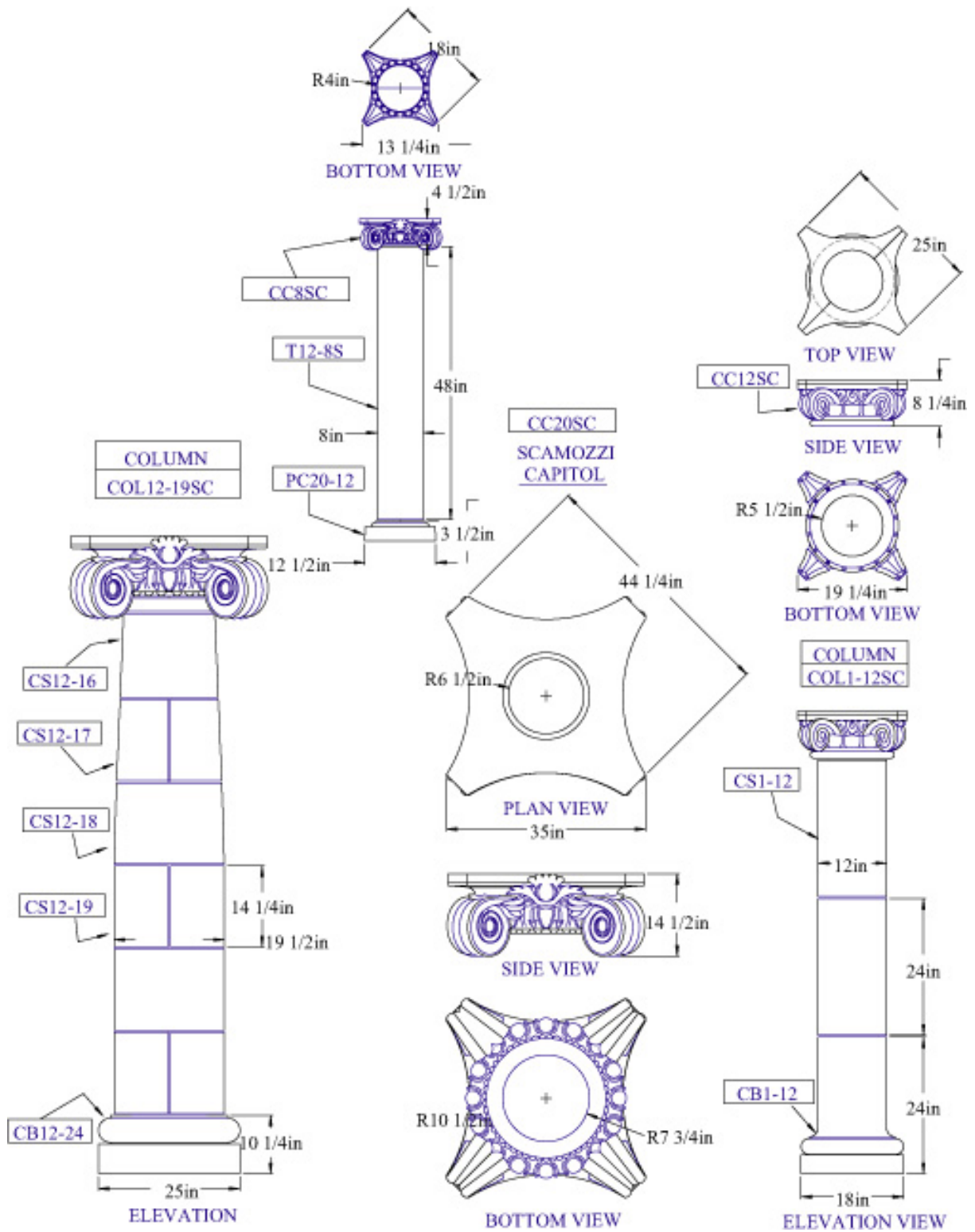


1 - 6









1 - 9

## BALUSTRADE

### SECTION 2



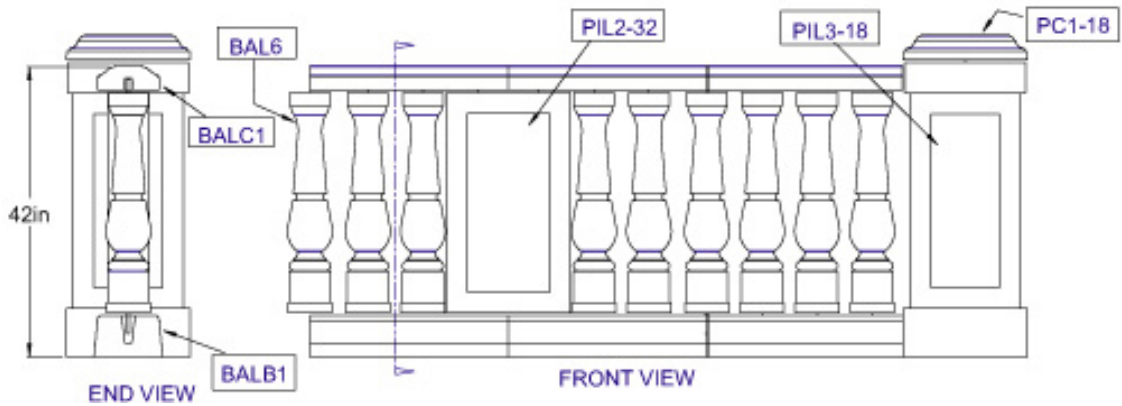
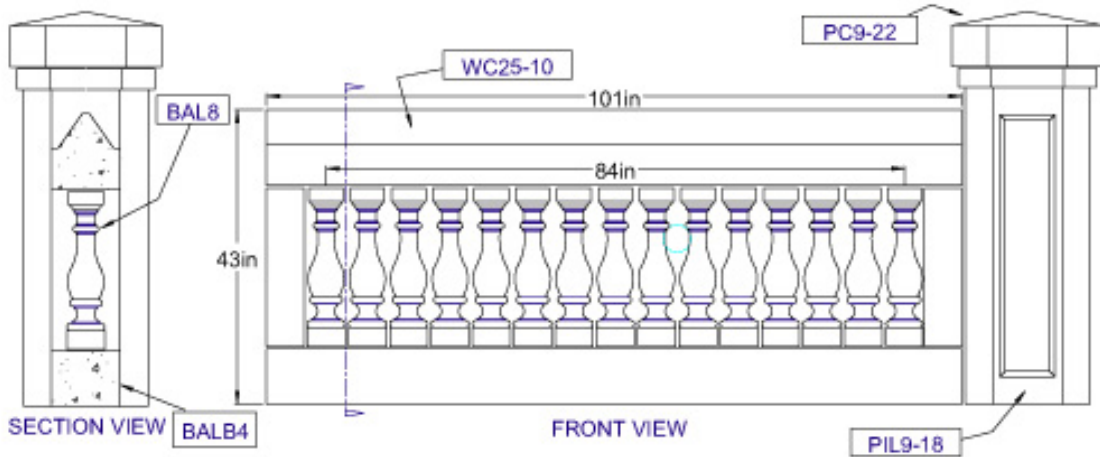
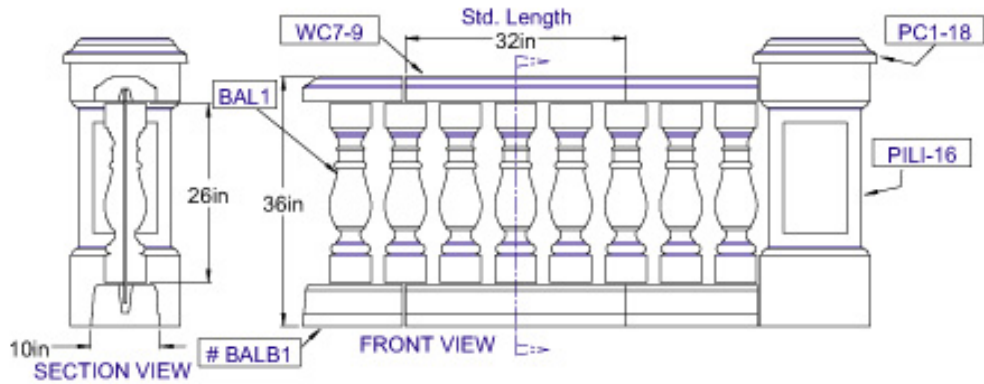
**Lite Stone Concrete** offers complete balustrade systems in a wide variety of styles, sizes, and configurations which can accommodate a diverse range of design and building requirements.

All baluster units are produced with rebar for both attachment and lateral stability. The variety of potential designs normally requires field drilling on the base and top rail. This is done in order to accommodate the selected baluster size and any applicable building codes.

**It is important** to refer to your local building codes when designing any rail system for proper baluster spacing and rail height regulations.

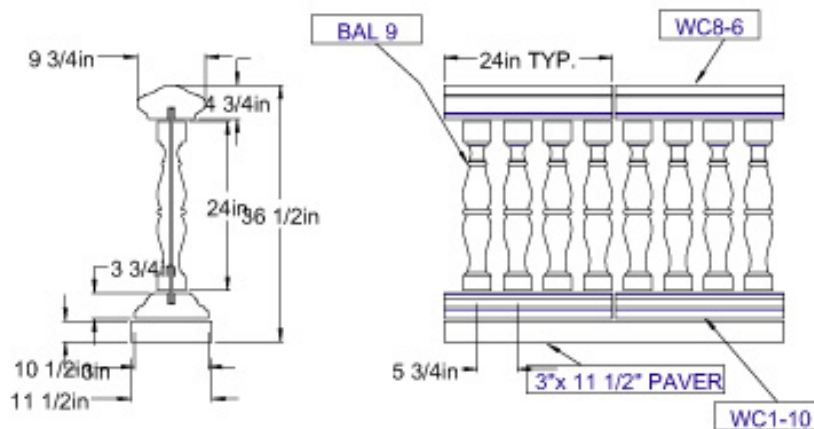
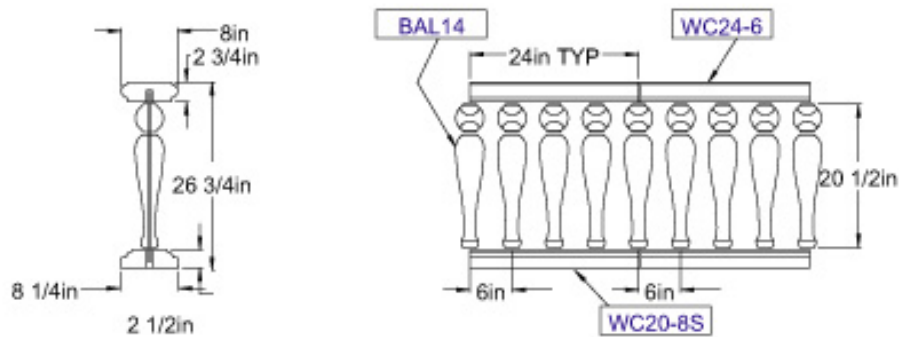
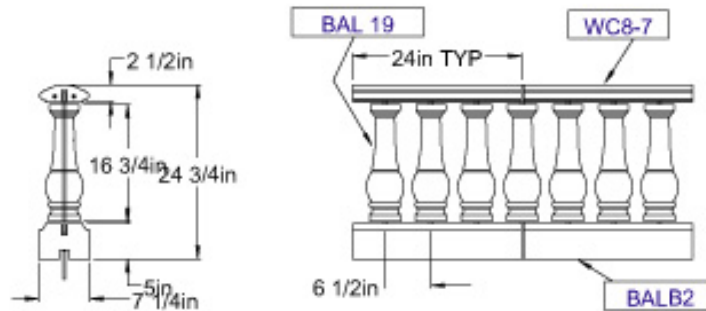
Lite Stone Concrete welcomes the opportunity to create custom styles in order to meet your specific requirements. Custom styles are supplied on a special order basis.

**BALUSTRADE ASSEMBLY**  
ADDITIONAL BALUSTER, BASE AND CAP  
COMBINATIONS AVAILABLE

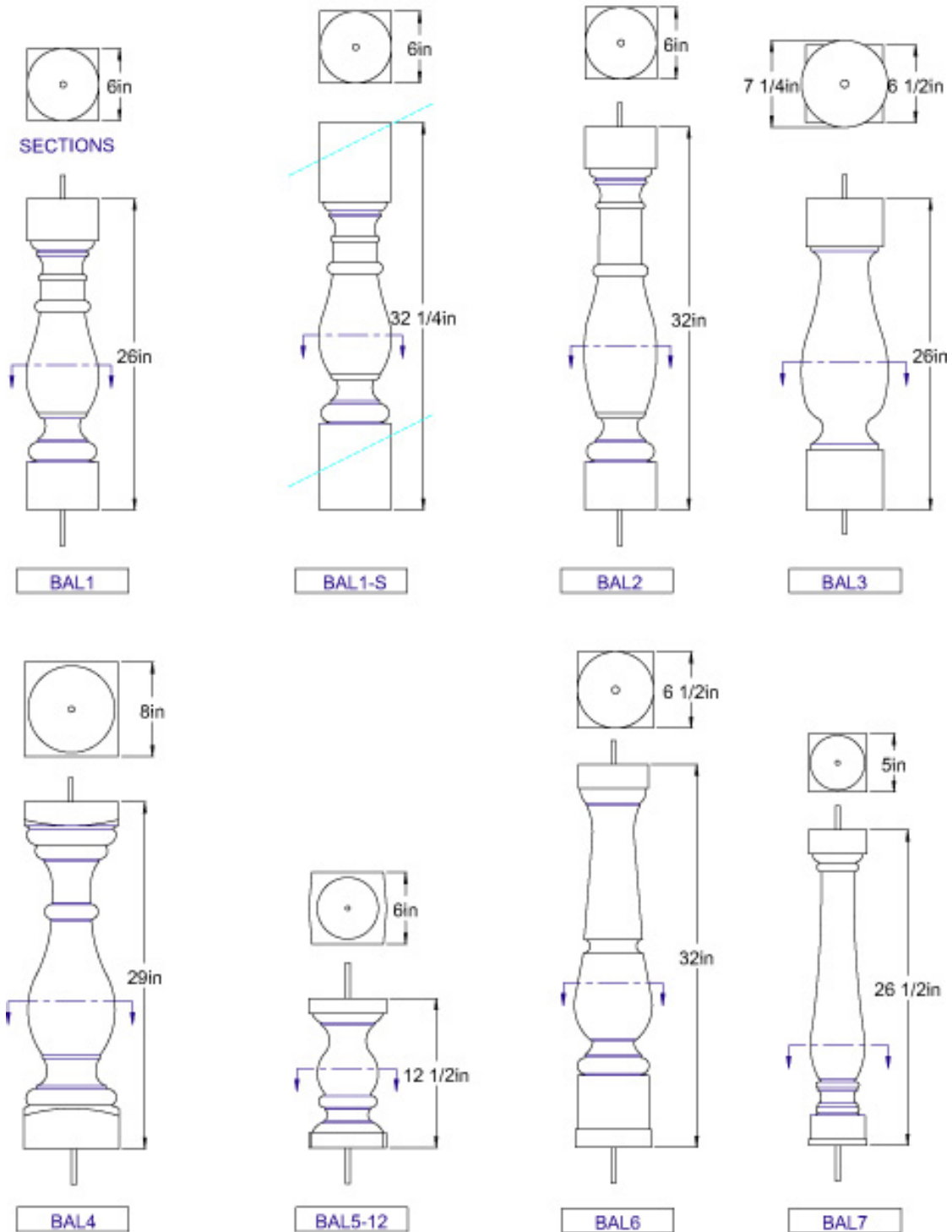


2 - 1

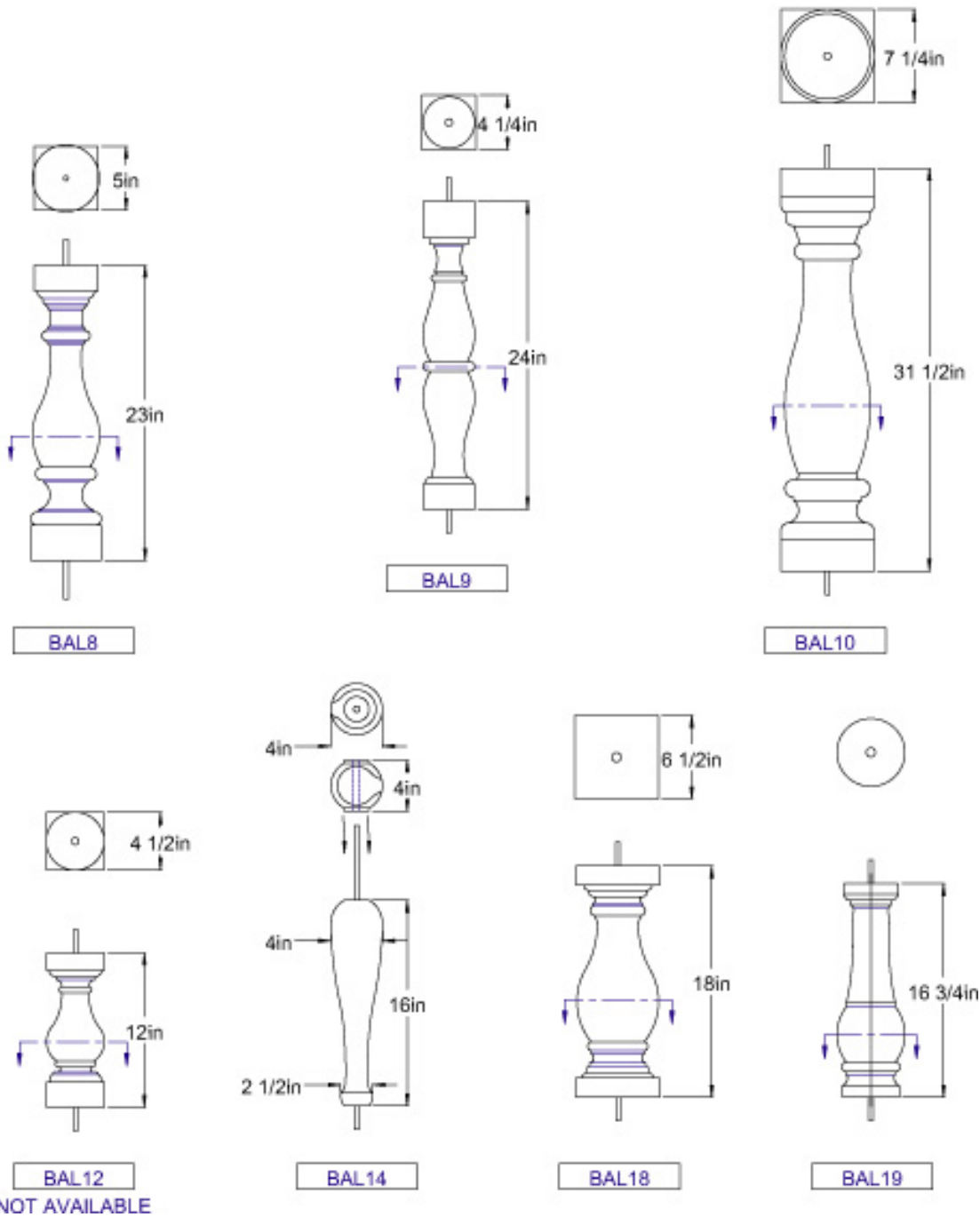
**BALUSTRADE ASSEMBLY  
ADDITIONAL BALUSTER, BASE AND CAP  
COMBINATIONS AVAILABLE**



**BALUSTERS**

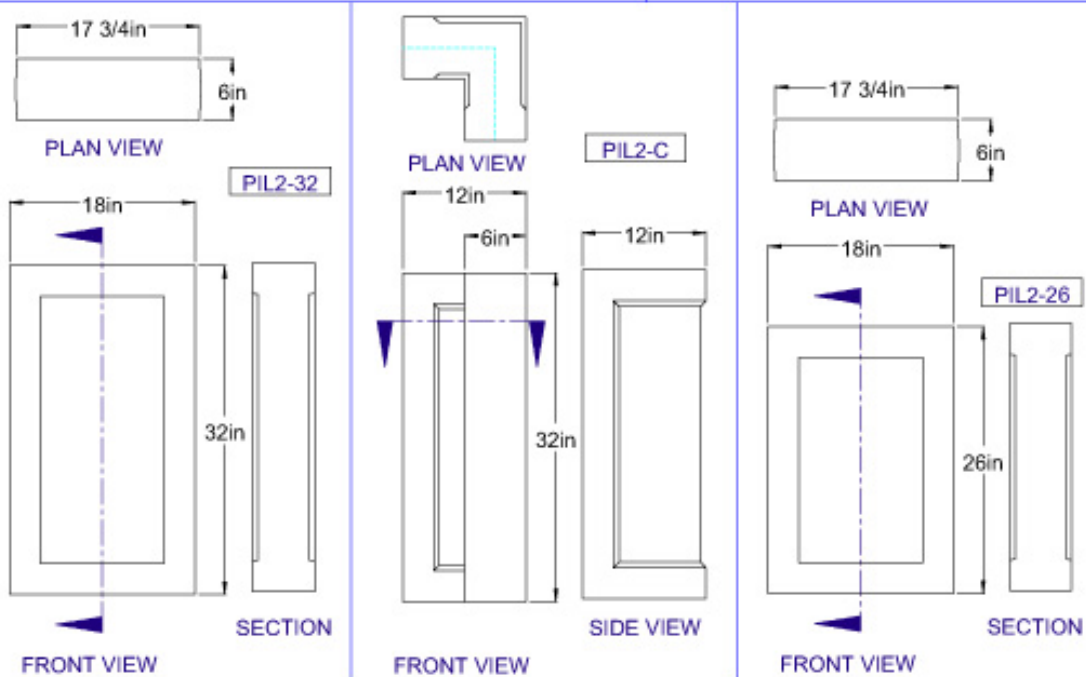
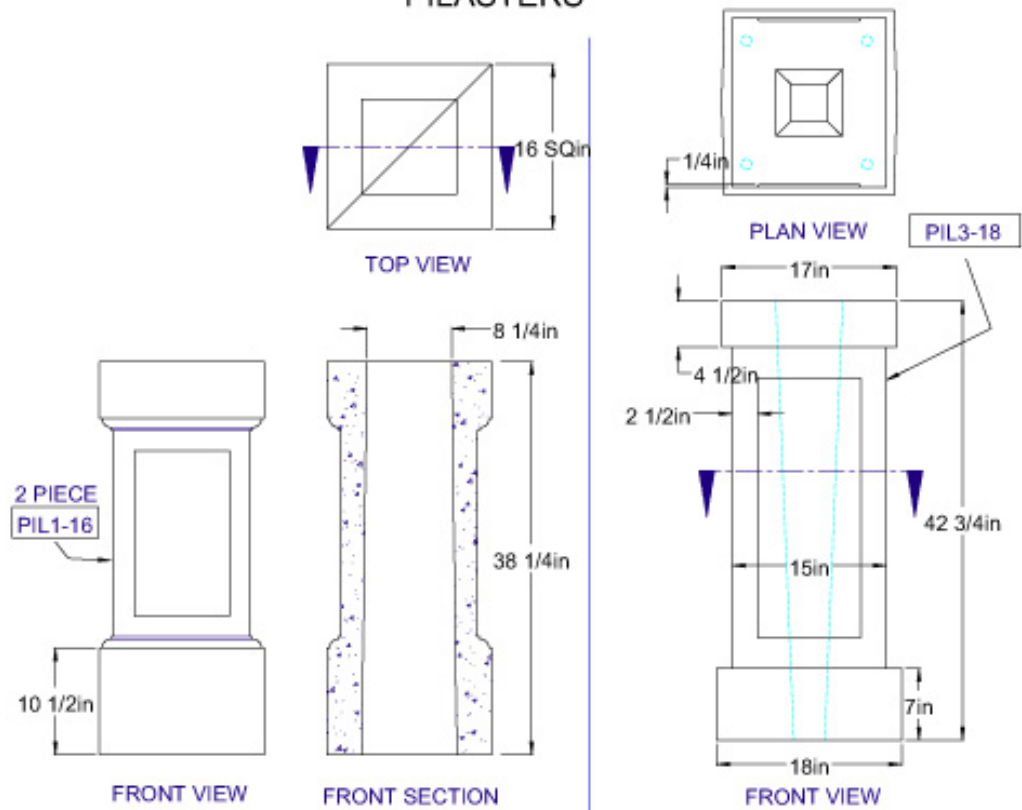


**BALUSTERS**

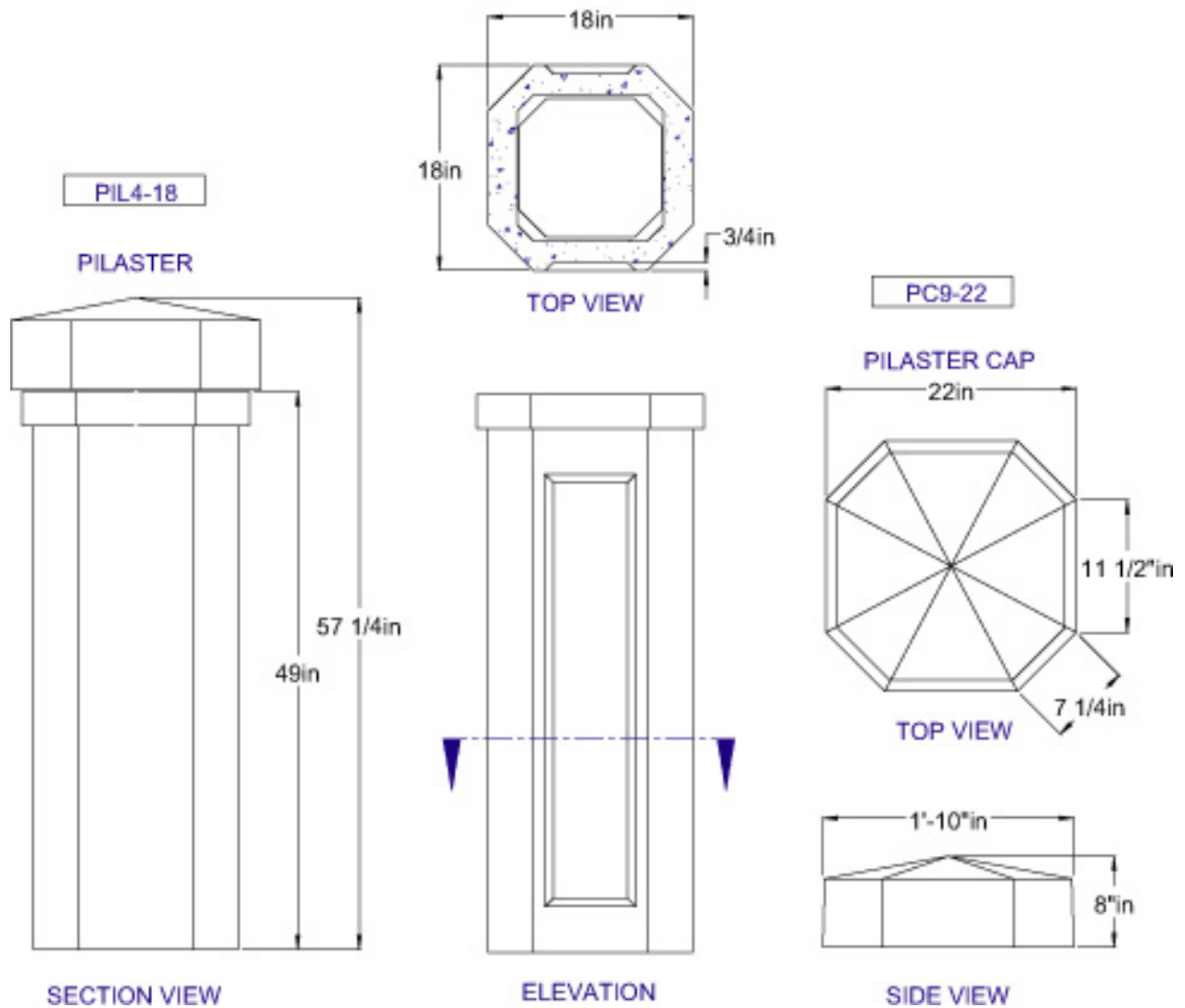




### PILASTERS

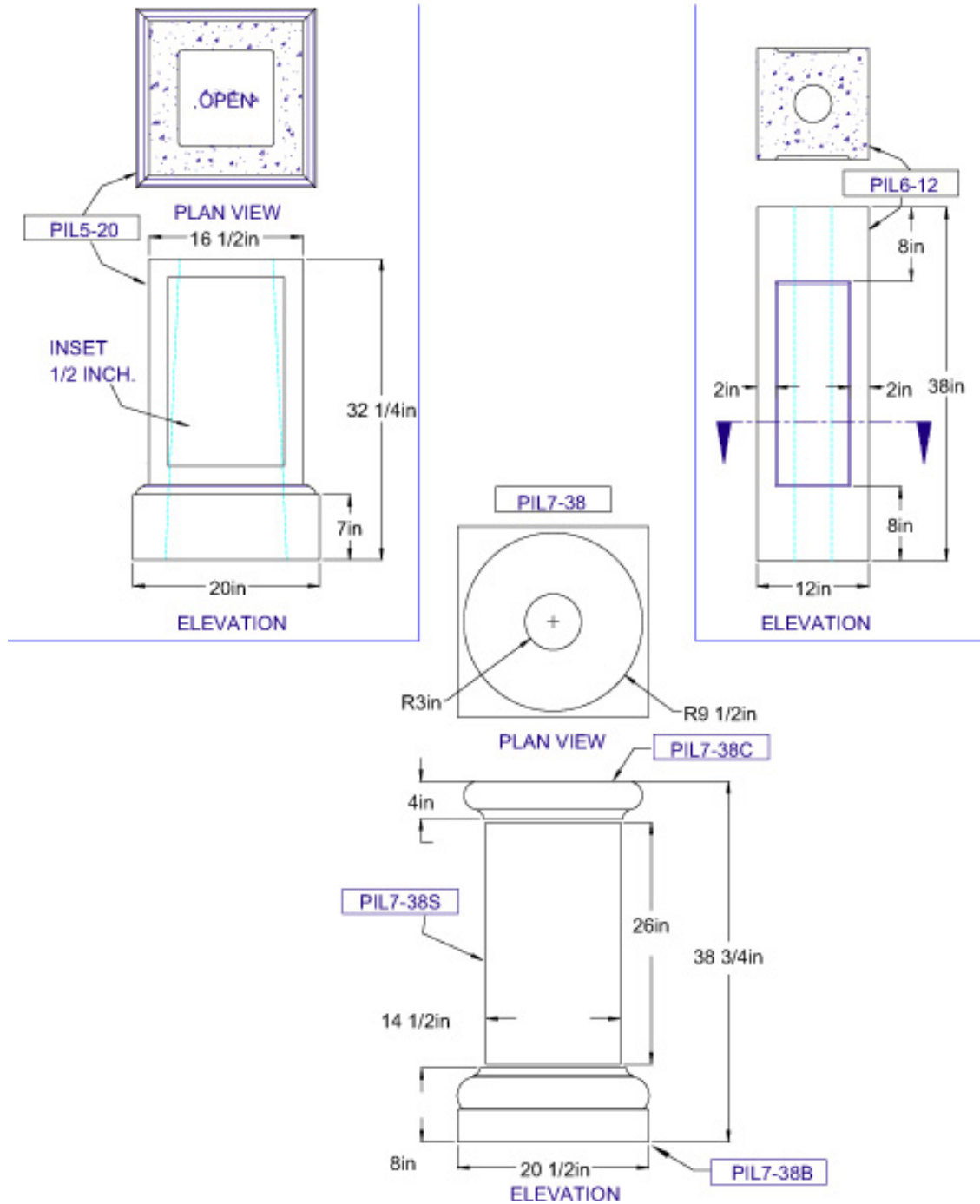


**PILASTERS**

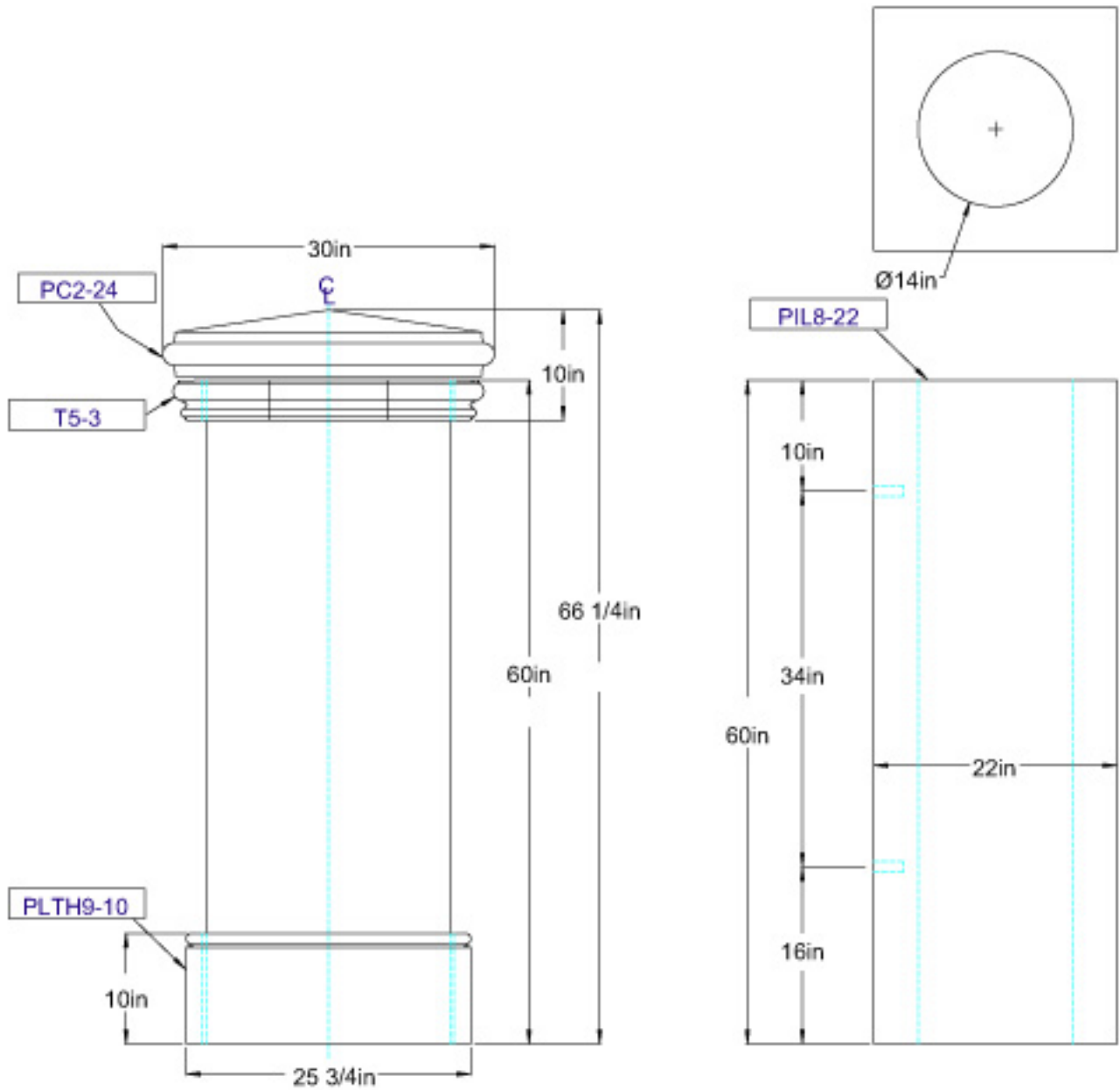


2 - 6

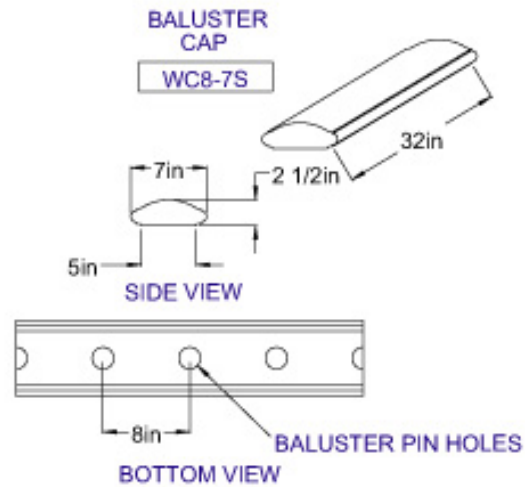
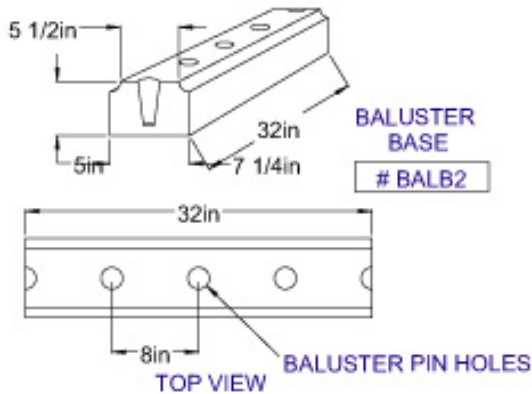
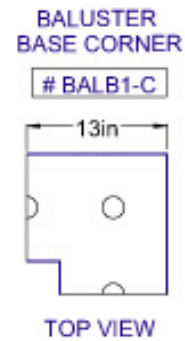
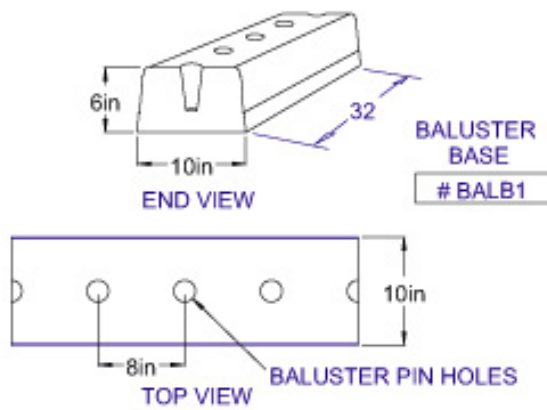
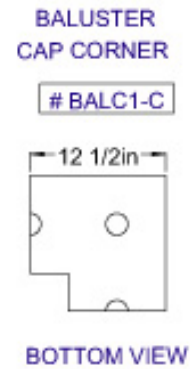
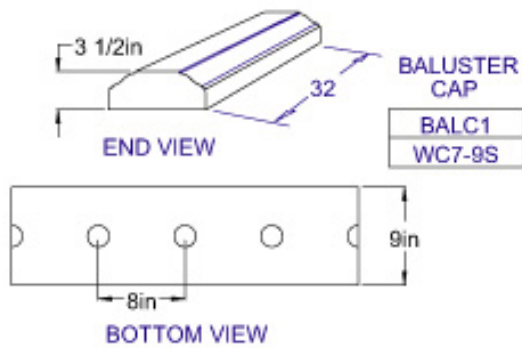
### PILASTERS



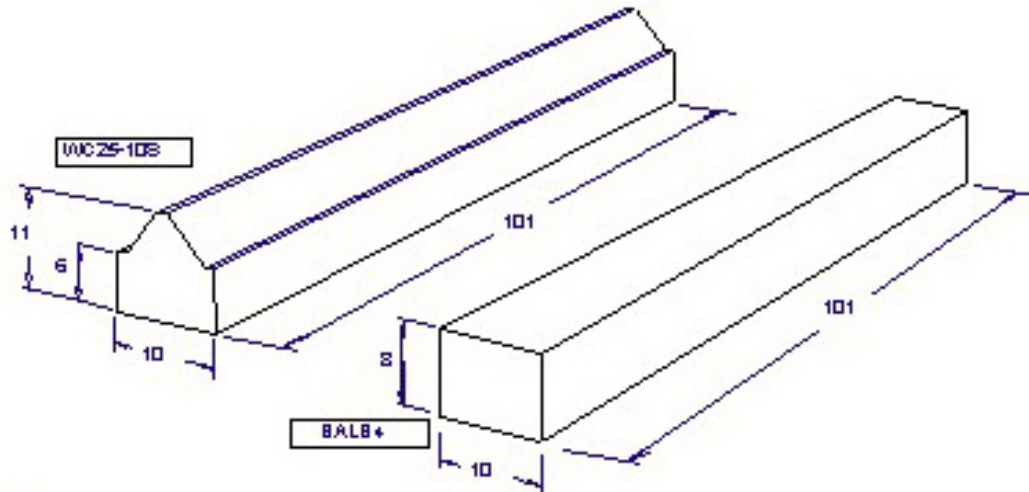
**PILASTERS**



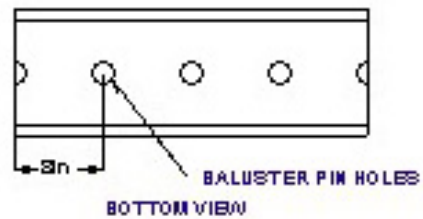
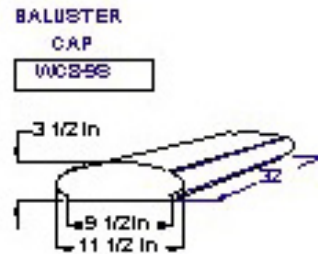
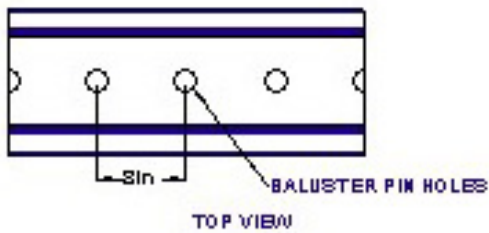
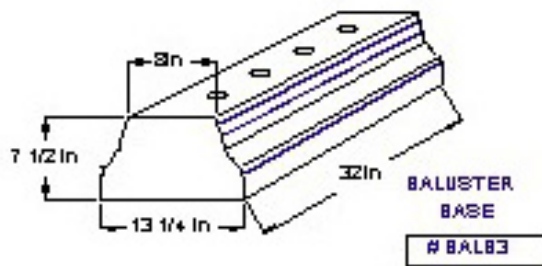
**BALUSTER CAPS AND BASES**



BALUSTER CAPS AND BASES



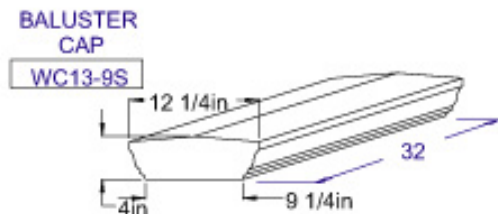
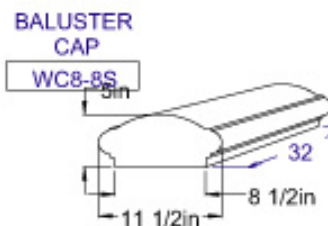
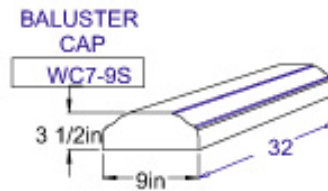
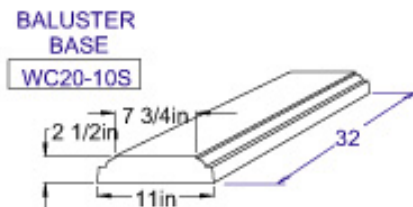
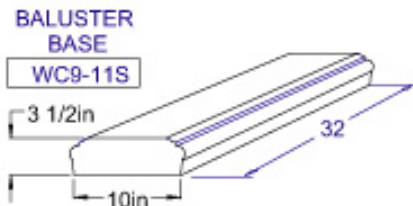
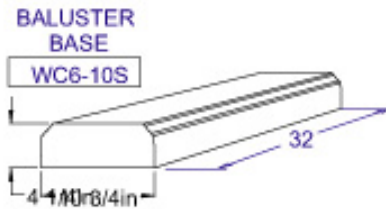
NOTE:  
HOLES TO ACCEPT BALUSTER PINS, MUST BE FIELD DRILLED.





### WALL CAPS SUBSTITUTING FOR BALUSTER CAPS AND BASES

NOTE:  
HOLES TO ACCEPT BALUSTER PINS, MUST BE FIELD DRILLED.



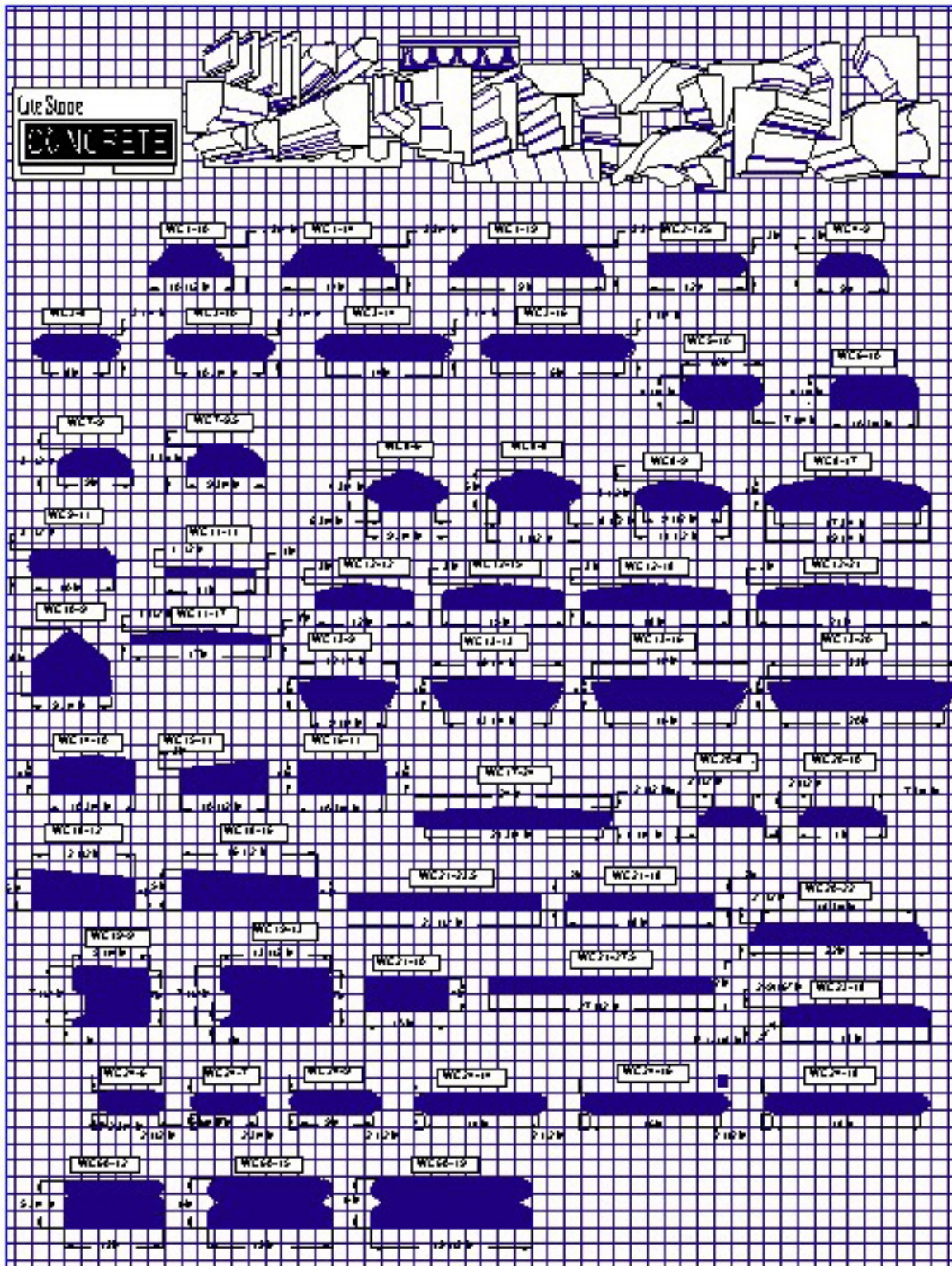
WALL CAPS  
SECTION 3



Wall caps, which are generally produced in 24 inch lengths, are available in a wide variety of styles and widths. Sizes are usually measured at the footprint of the cap (the flat bottom surface of the cap which sets upon the top surface of the wall). The footprint of the wall cap should be slightly wider than the wall width in order to accommodate any slight irregularities which might exist in the width of the wall. This is especially applicable where stucco covered block walls are laid on a radius.

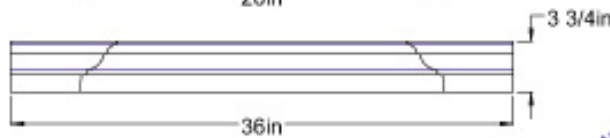
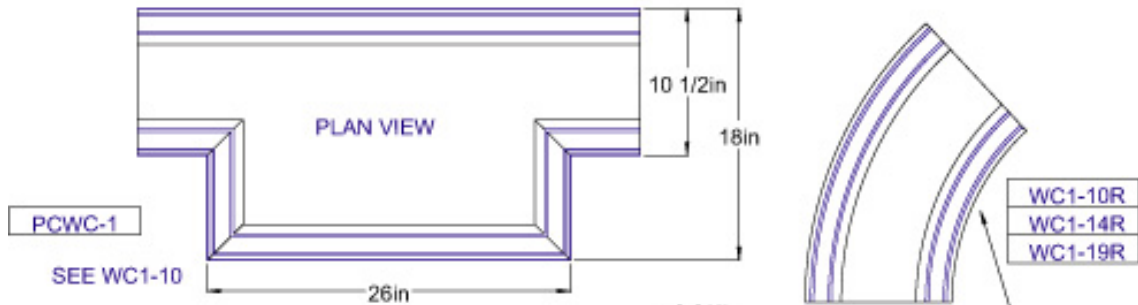
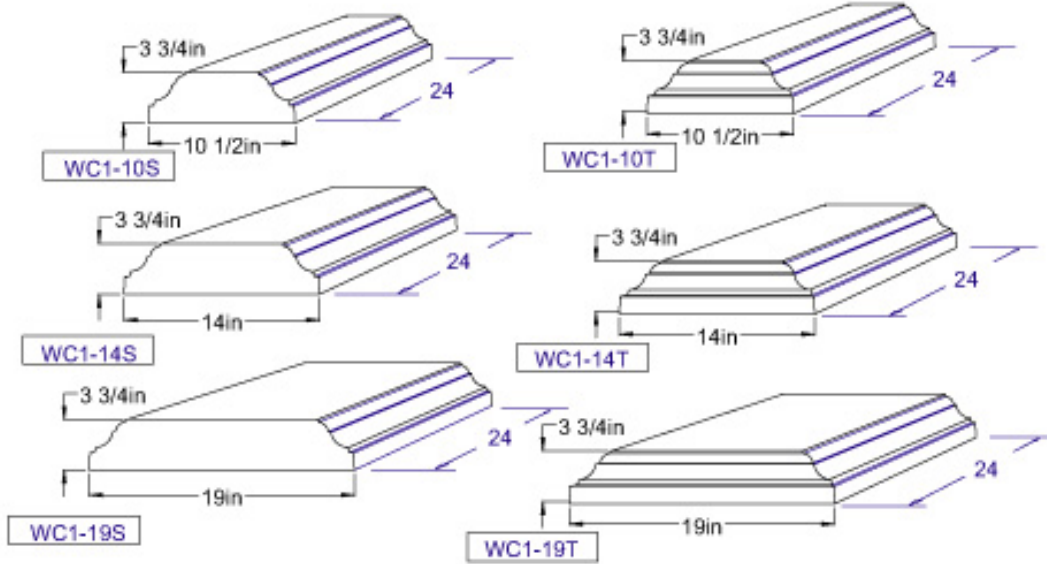
Many of our wall caps are available in radius sizes; however others will require a custom mold in order to produce your required curve. Arc radii are measured at the bottom of the inside edge of the foot print. Please consult our sales staff in order to determine if an existing radius is available in the cap style which you have selected.



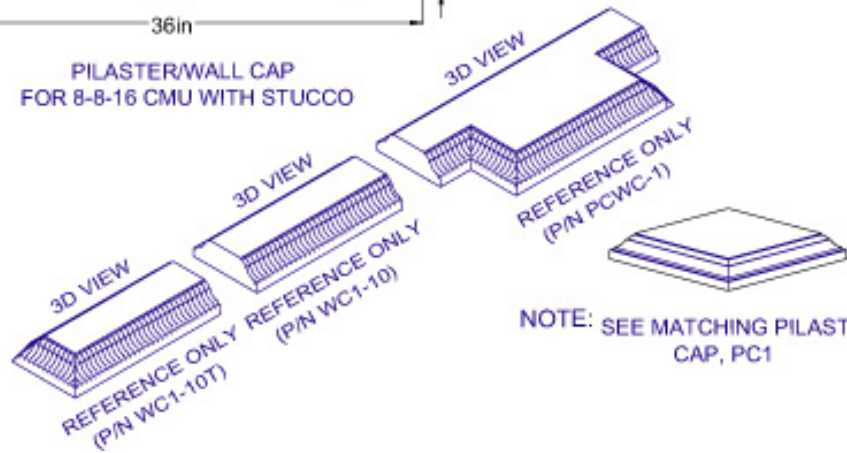


**Quick Reference - Wall Caps 1**

### WALL CAP

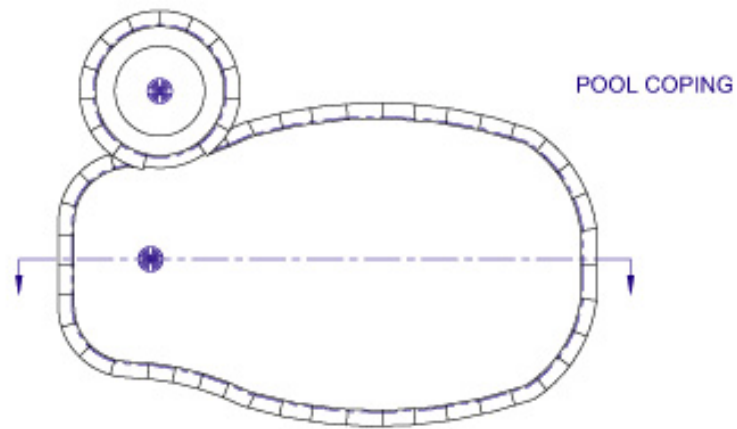
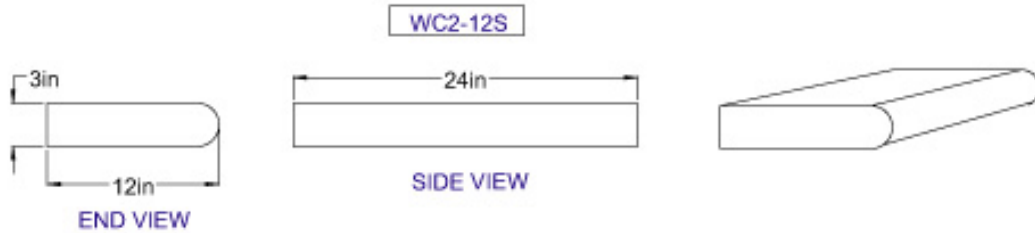


PILASTER/WALL CAP  
FOR 8-8-16 CMU WITH STUCCO



NOTE: SEE MATCHING PILASTER  
CAP, PC1

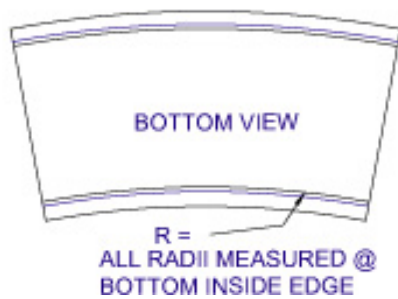
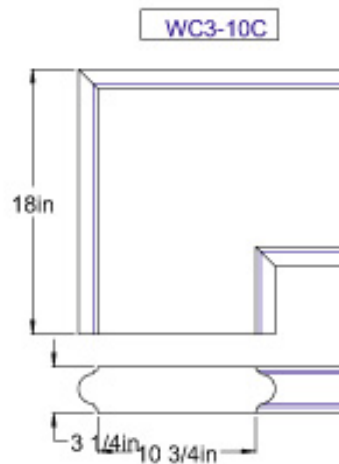
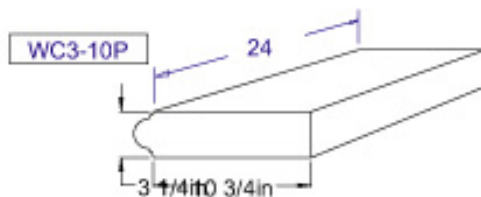
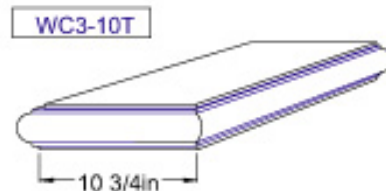
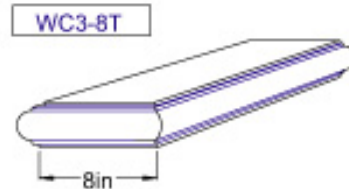
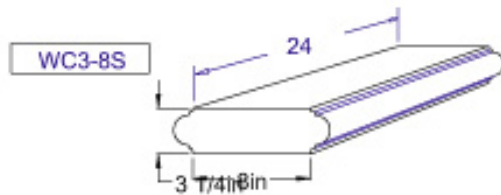
**WALL CAP**



**3 - 2**



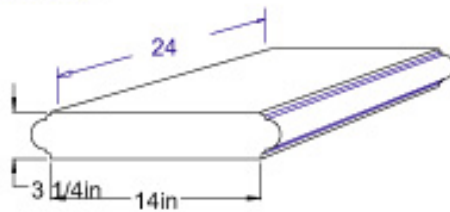
### WALL CAP



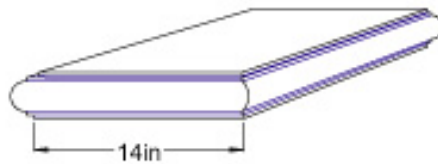


WALL CAP

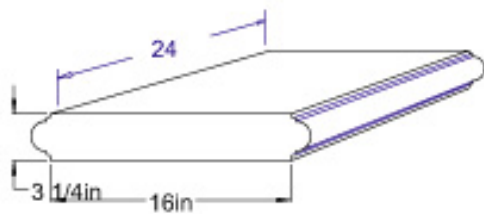
WC3-14S



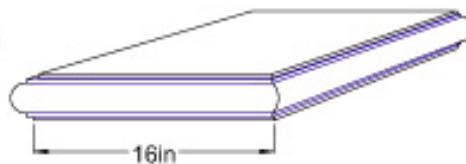
WC3-14T



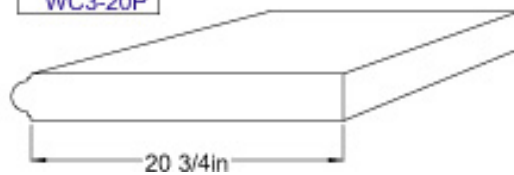
WC3-16S



WC3-16T

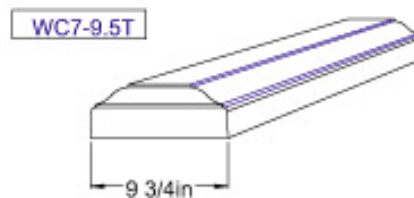
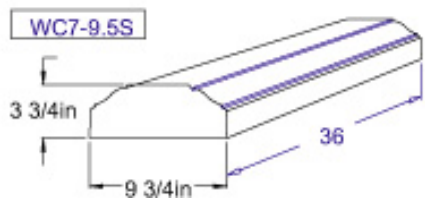
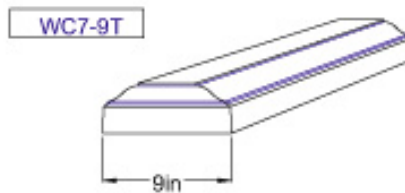
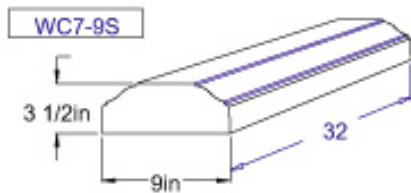
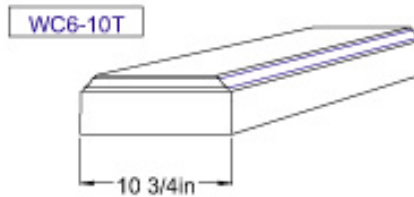
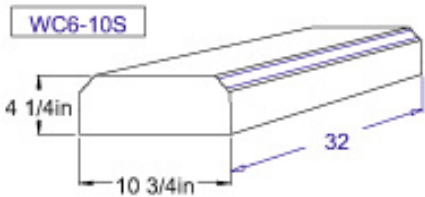
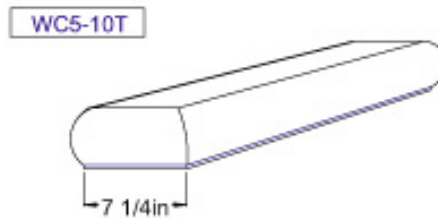
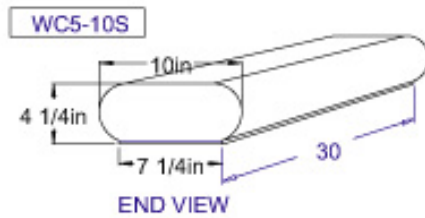
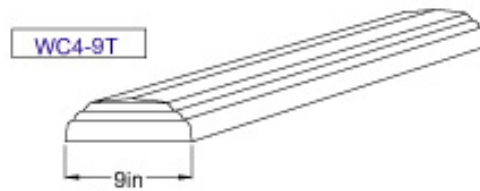
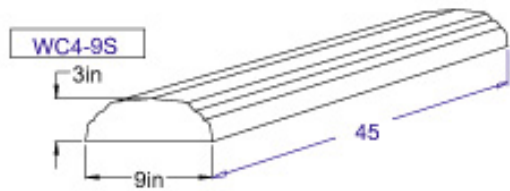


WC3-20P

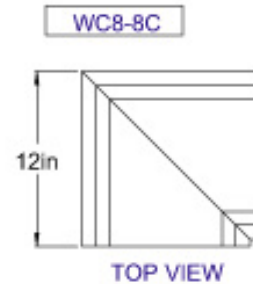
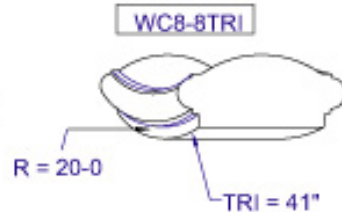
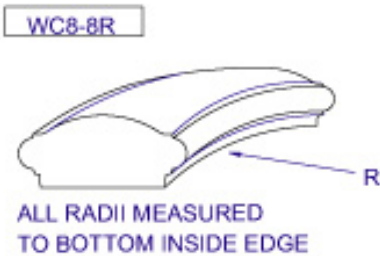
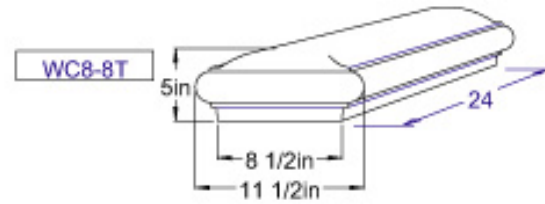
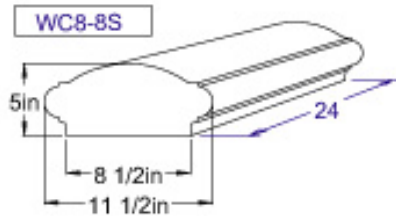
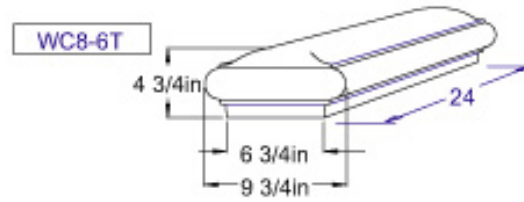
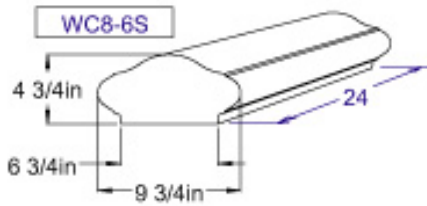


3 - 4

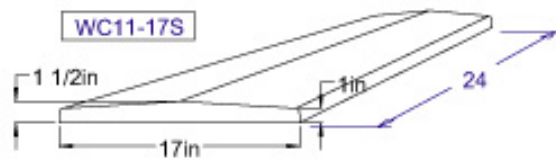
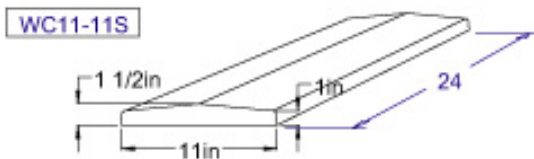
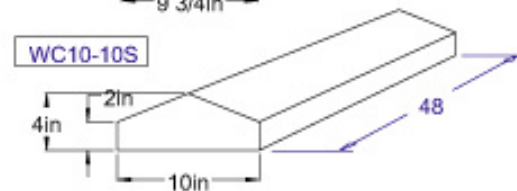
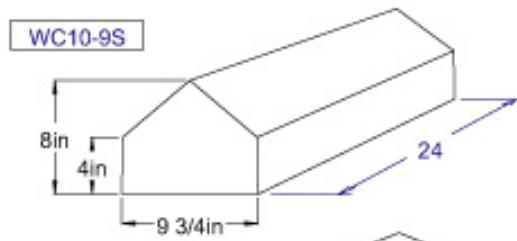
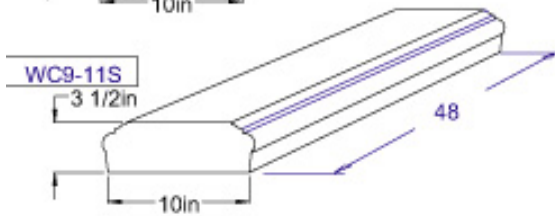
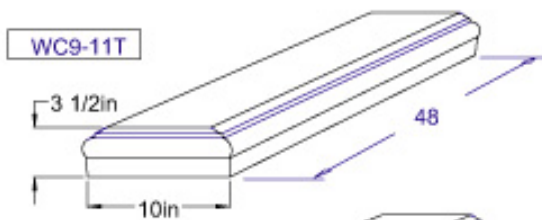
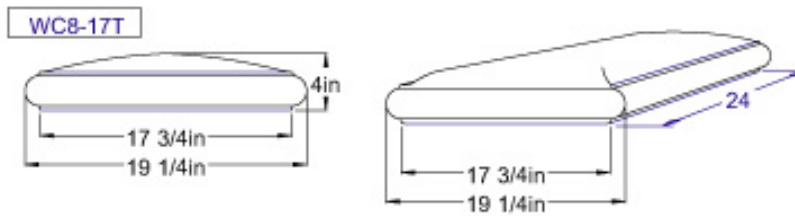
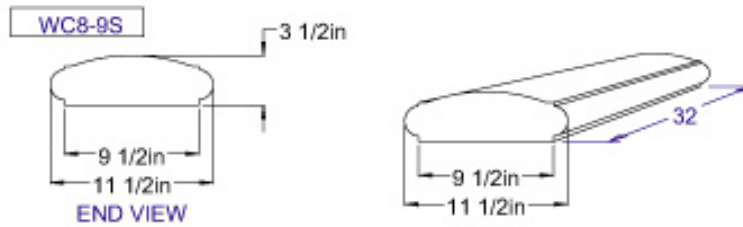
### WALL CAP



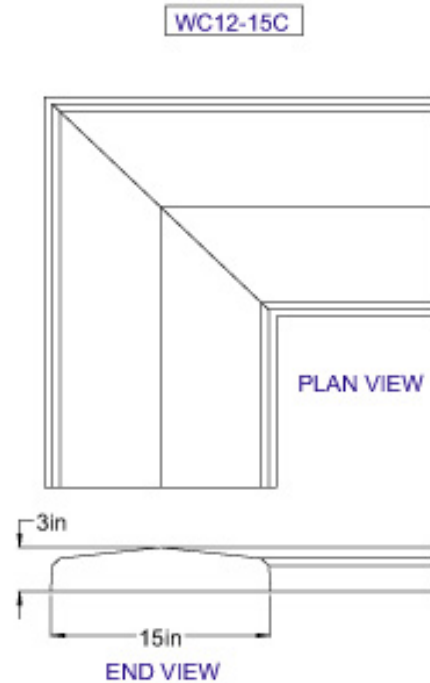
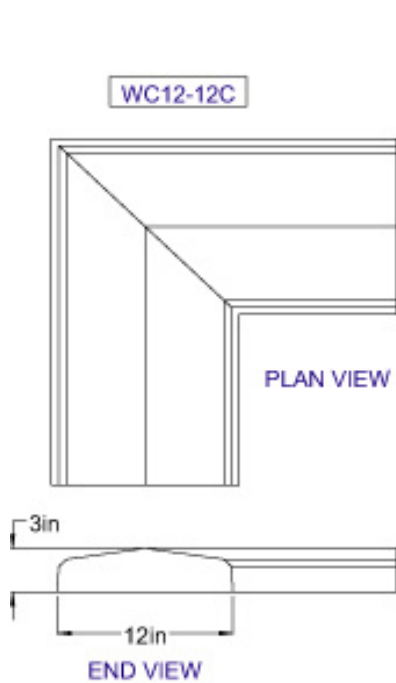
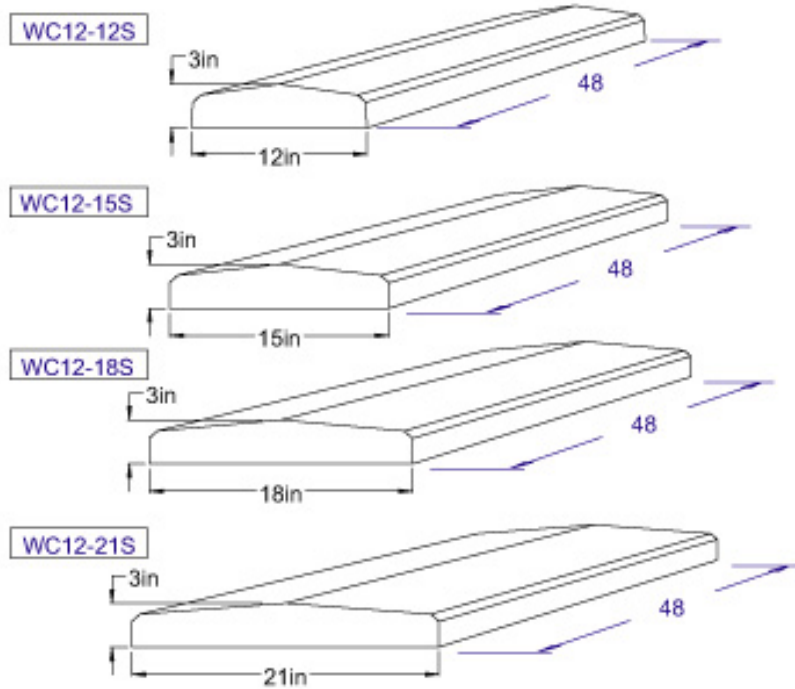
### WALL CAP



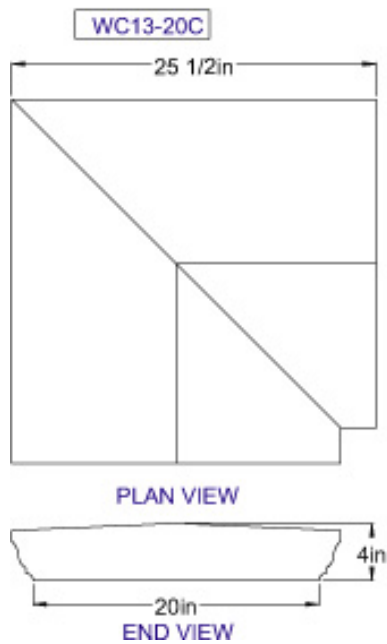
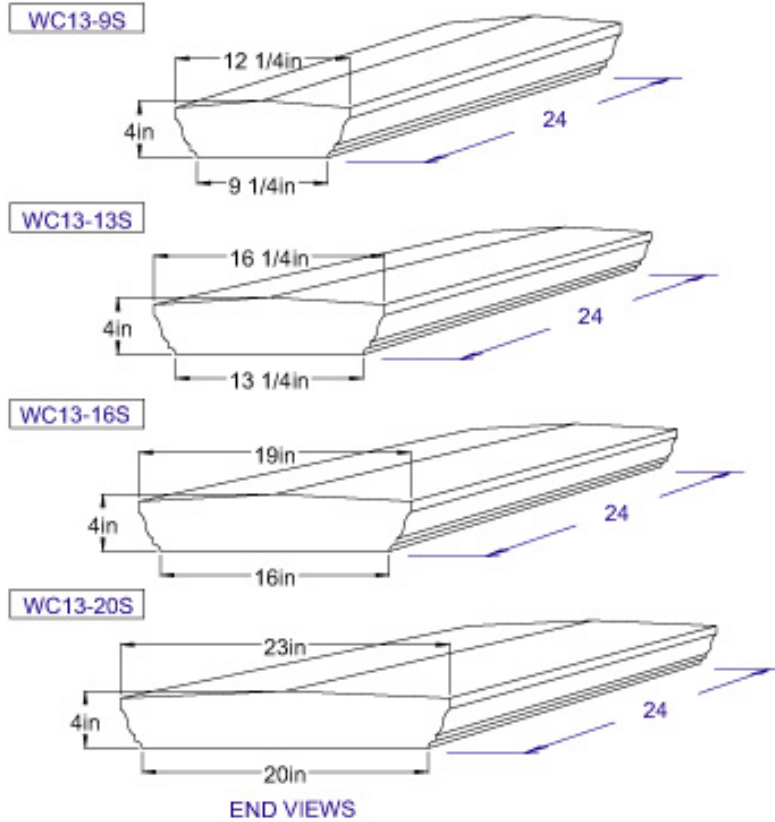
### WALL CAP



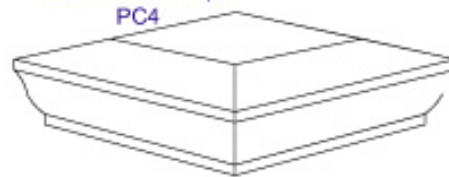
**WALL CAP**



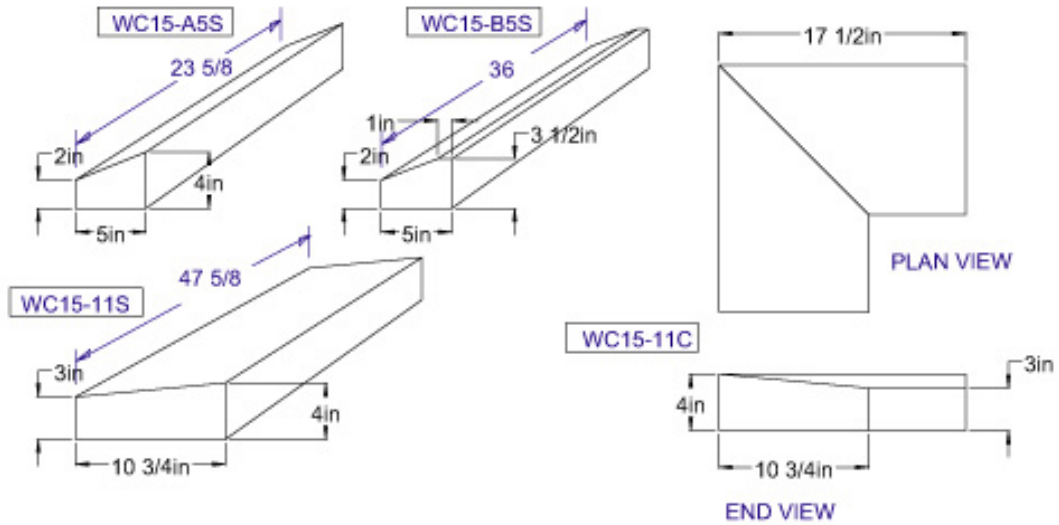
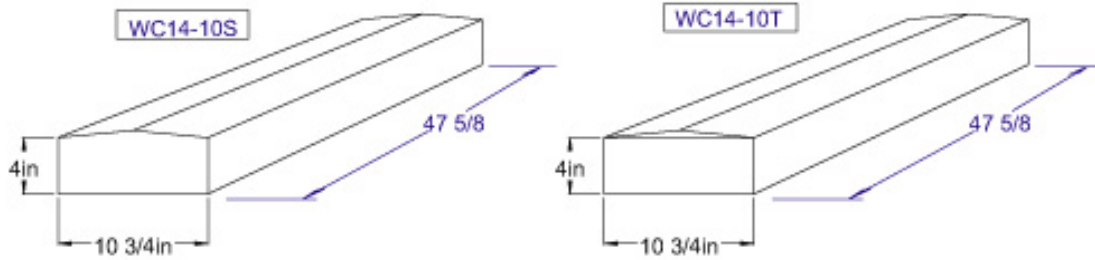
### WALL CAP



See Pilaster Caps  
PC4

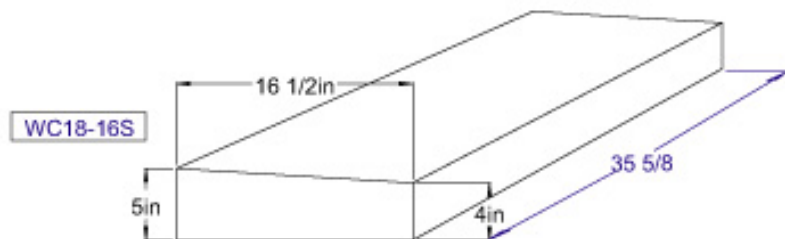
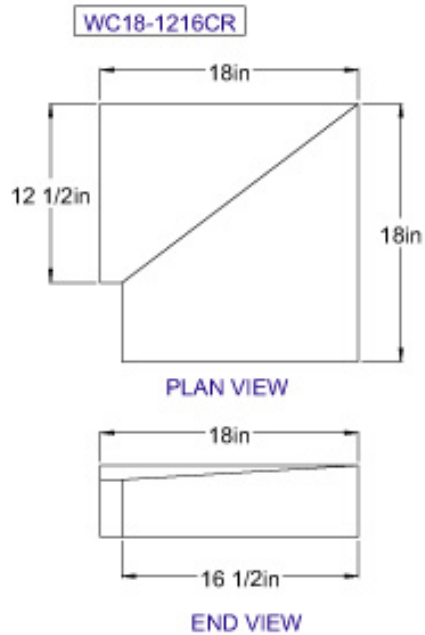
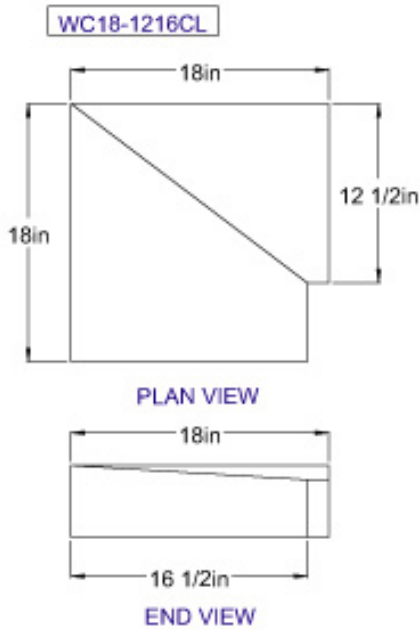
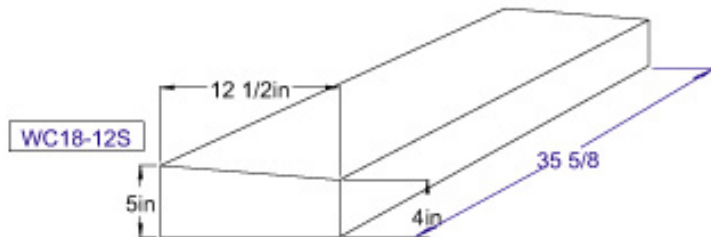


### WALL CAP



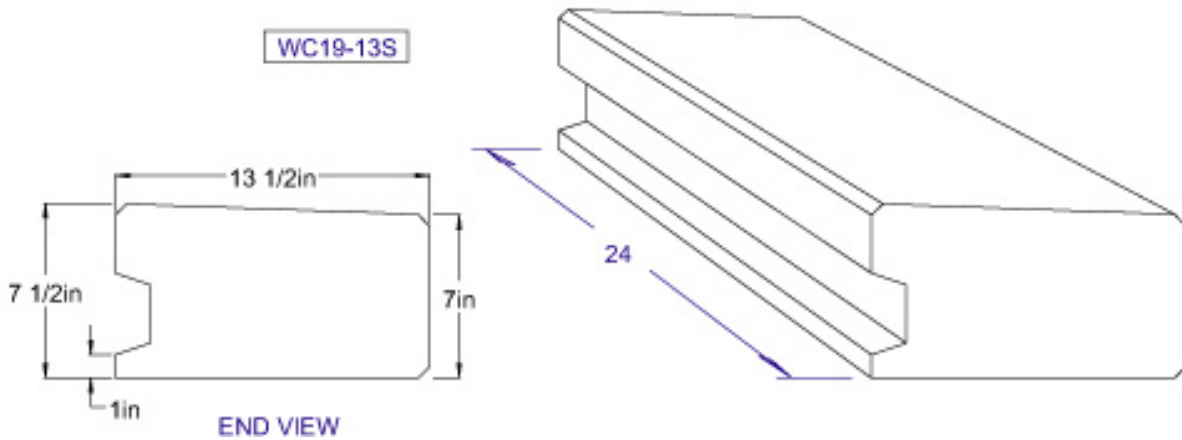
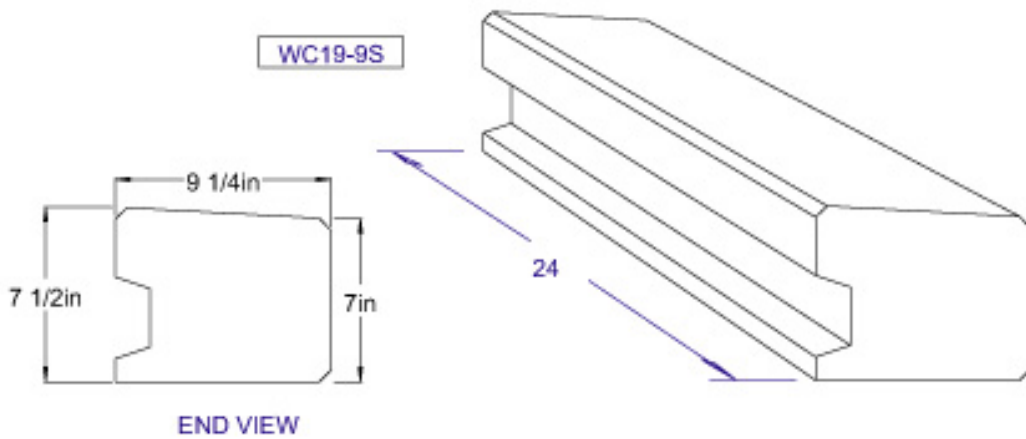


WALL CAP



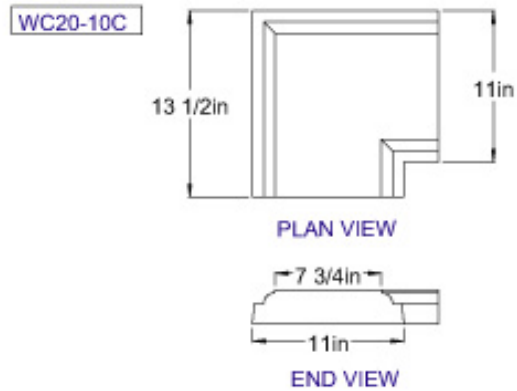
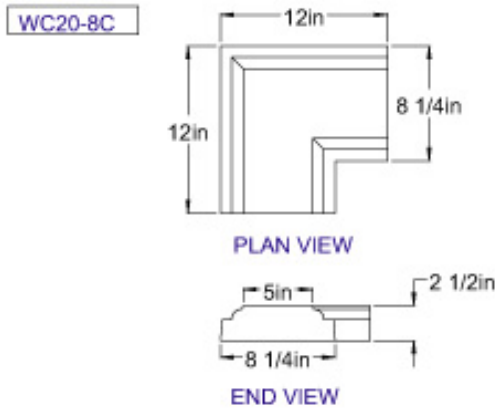
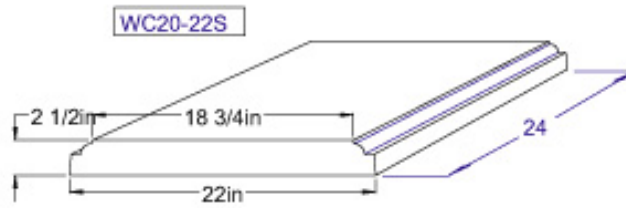
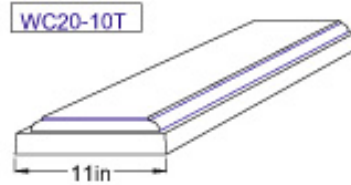
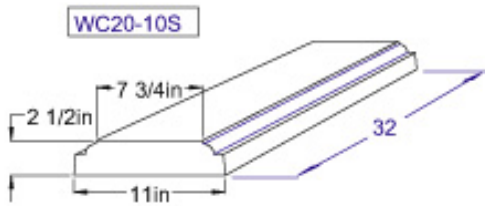
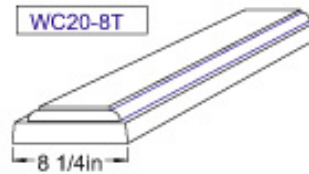
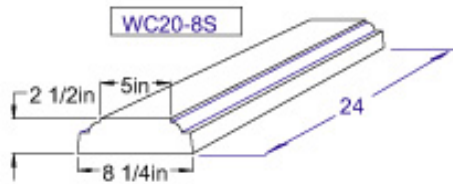
3 - 11

WALL CAP

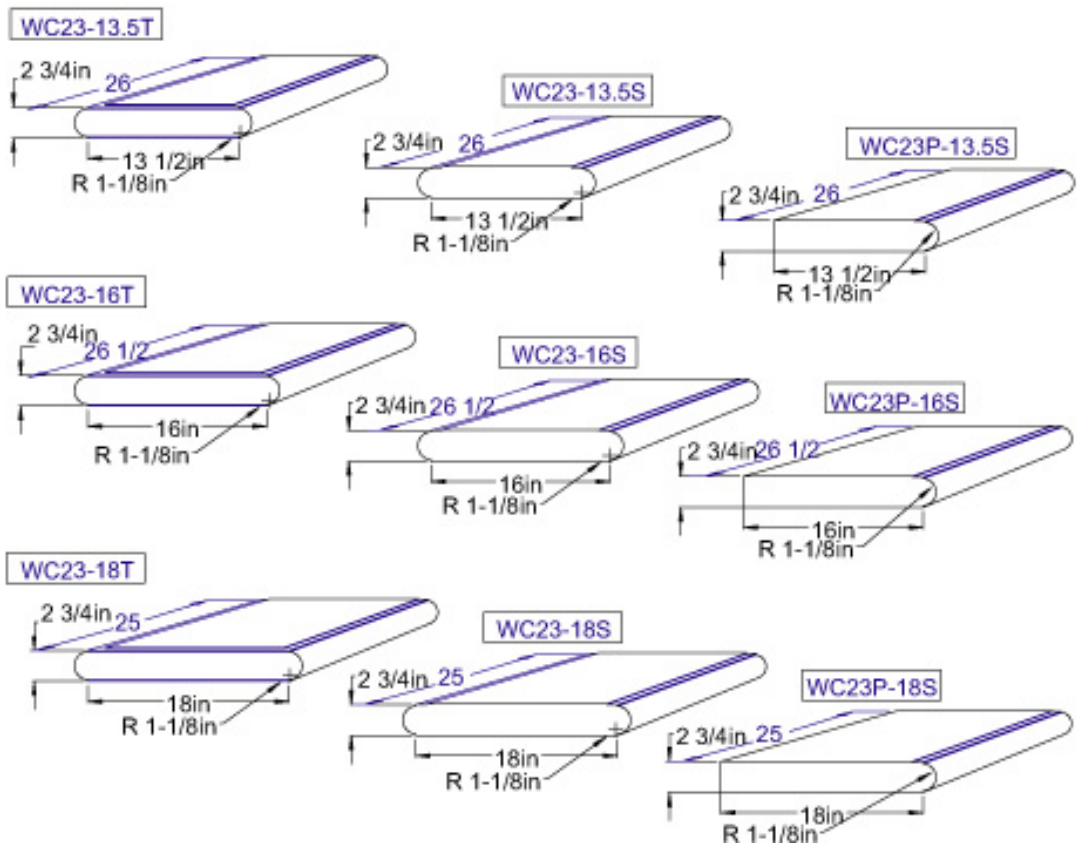
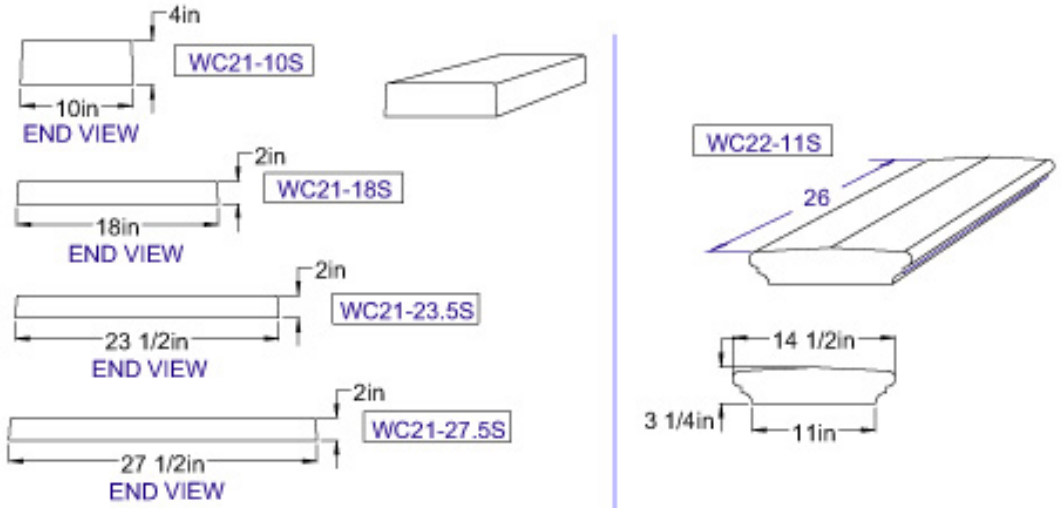


3 - 12

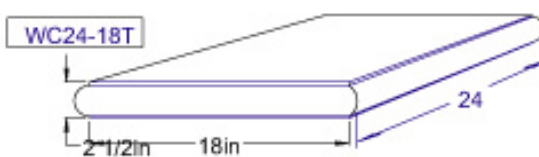
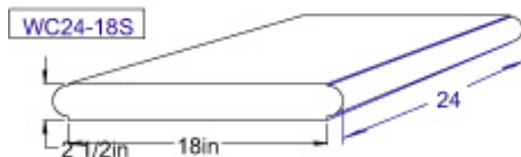
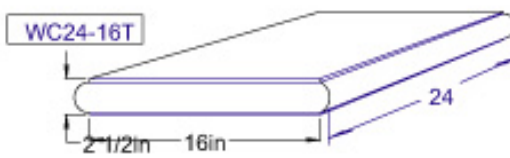
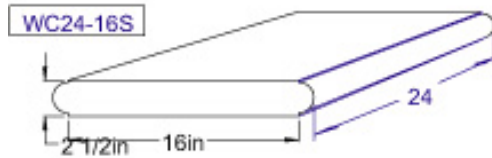
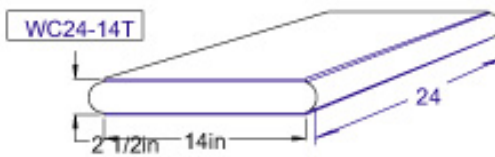
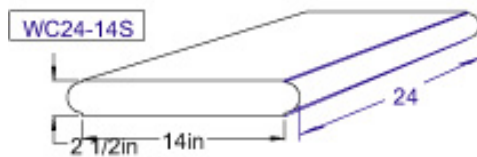
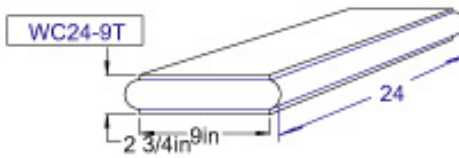
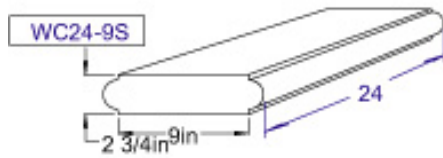
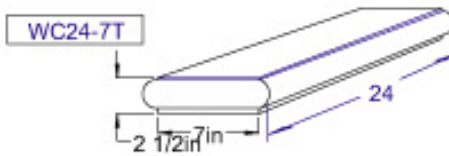
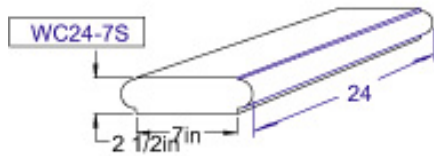
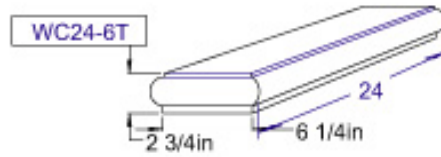
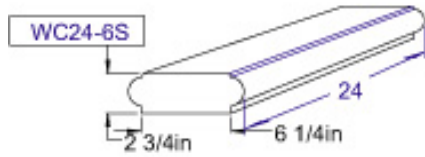
**WALL CAP**



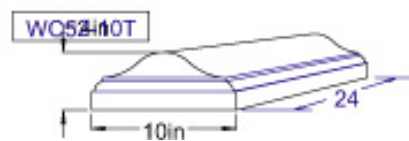
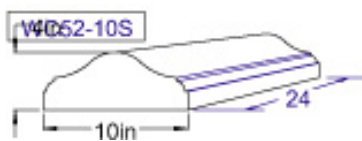
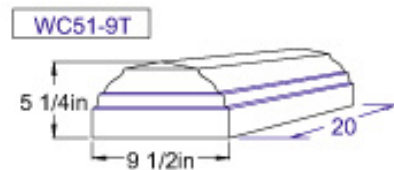
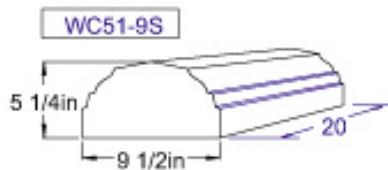
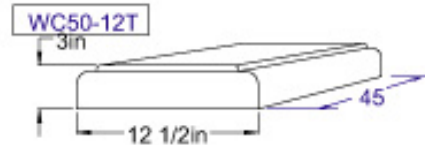
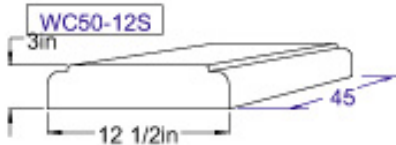
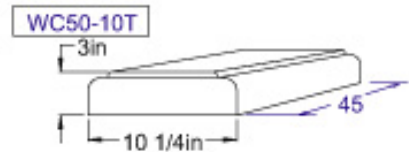
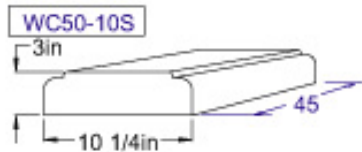
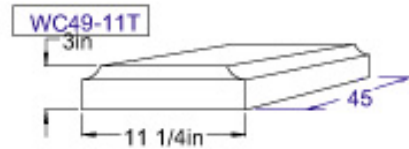
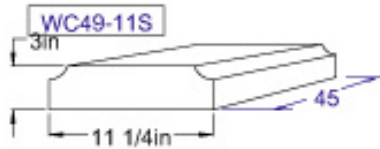
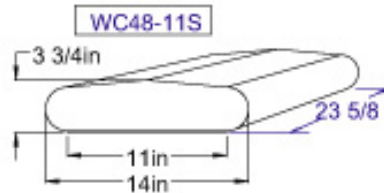
### WALL CAP



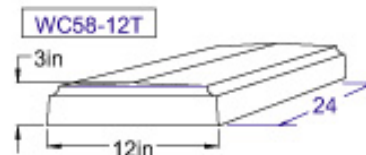
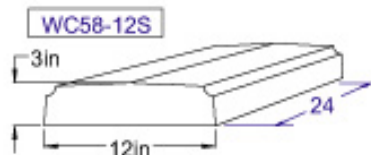
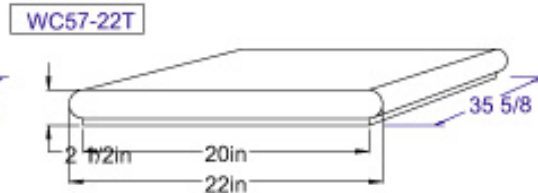
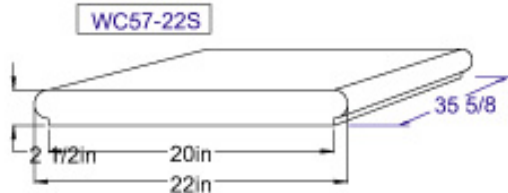
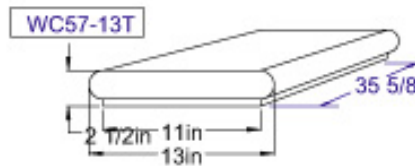
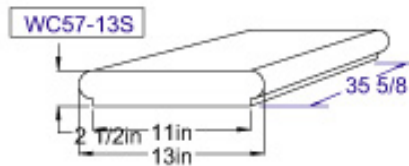
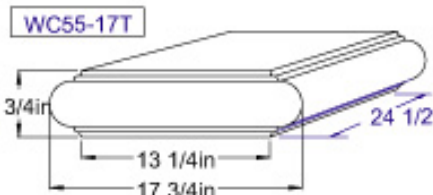
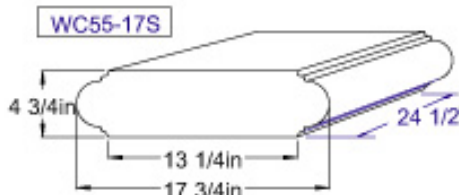
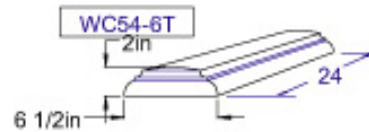
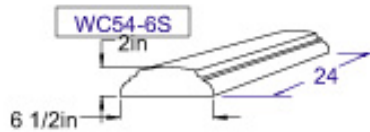
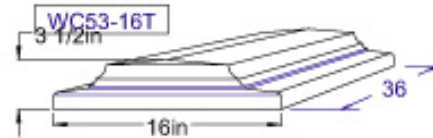
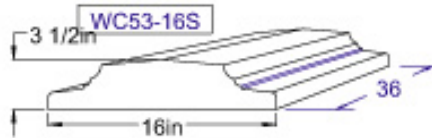
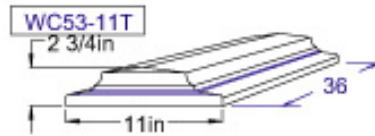
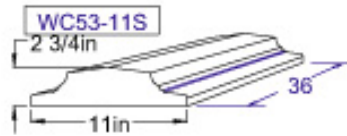
**WALL CAP**



**WALL CAP**



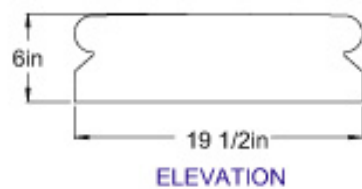
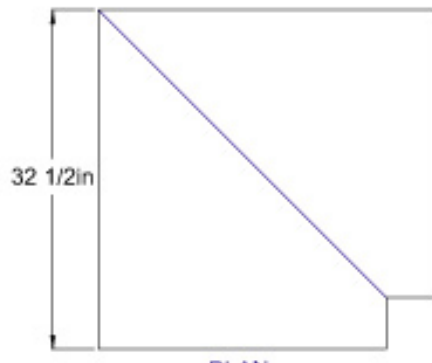
### WALL CAP



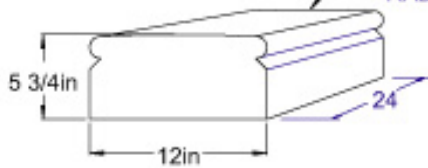


**WALL CAP**

WC60-19C

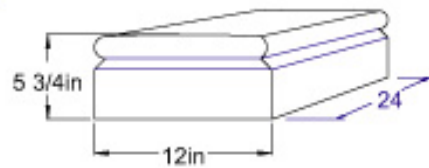


WC60-12R

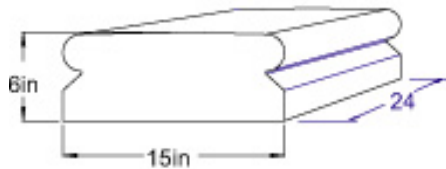


NO STRAIGHTS  
RADIUS = 27" ONLY

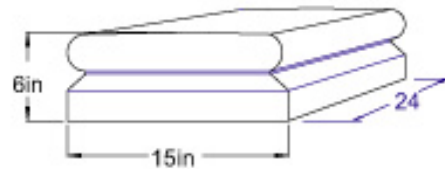
WC60-12T



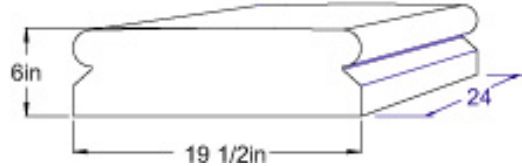
WC60-15S



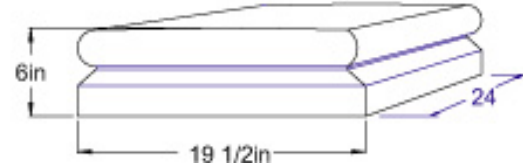
WC60-15T



WC60-19S



WC60-19T



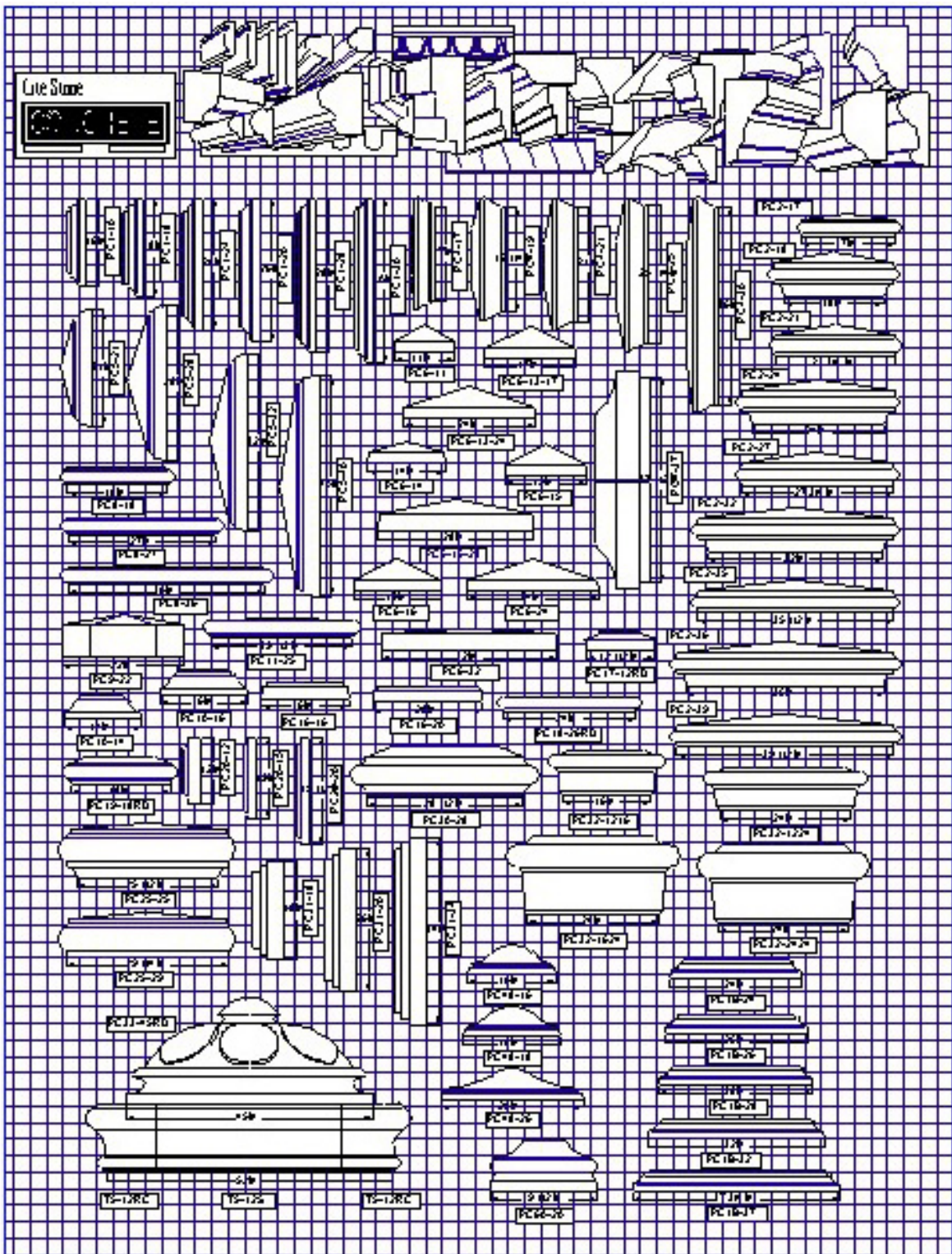
PILASTER CAPS

SECTION 4



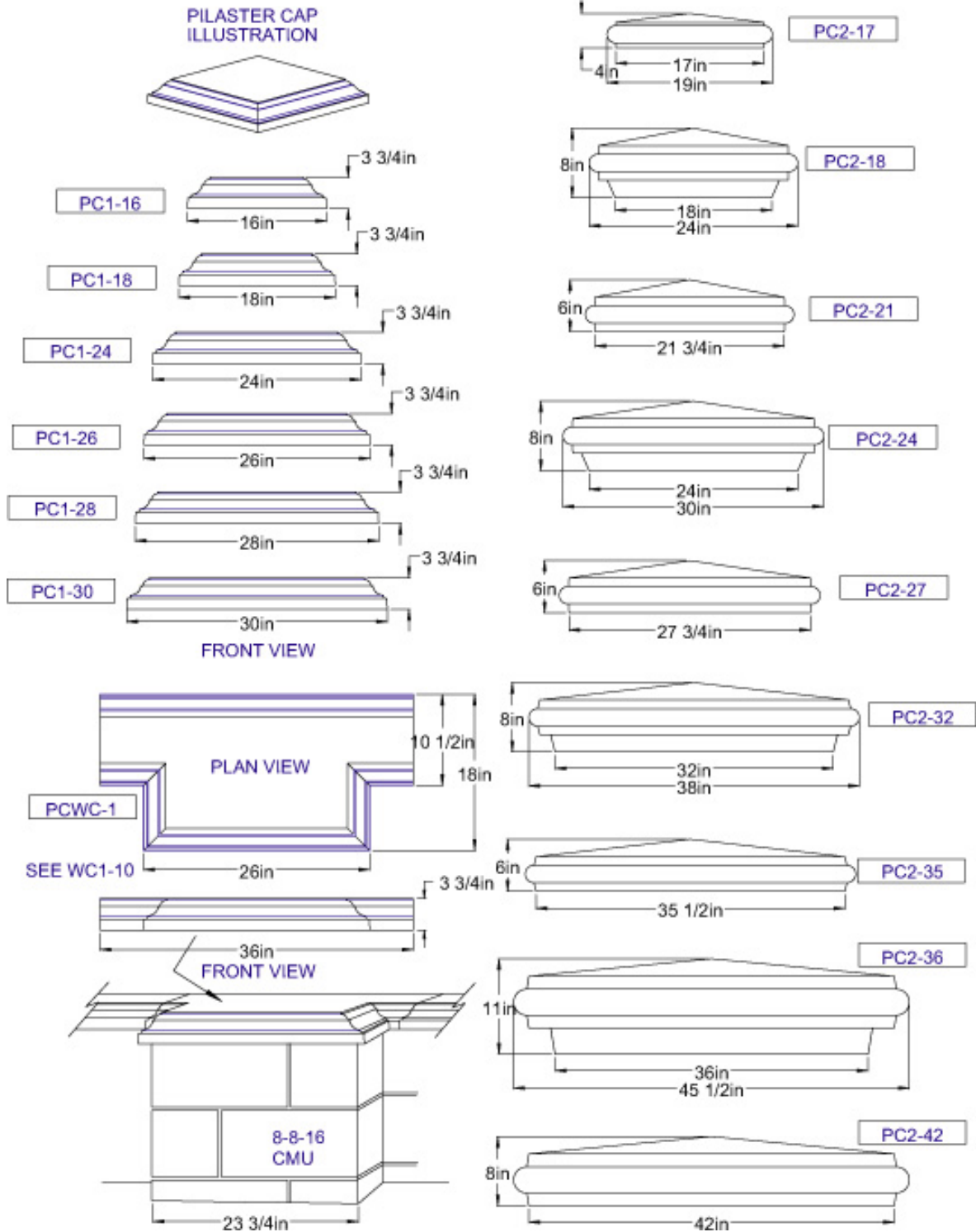
Pilaster caps are available in one piece designs, or they may be assembled from parts which can accommodate any size pilaster cap. "An assembly of caps" are especially suited for very large, rectangular, or even odd shaped pilasters. Please consult our sales staff for assistance in determining the best approach for your large cap applications.



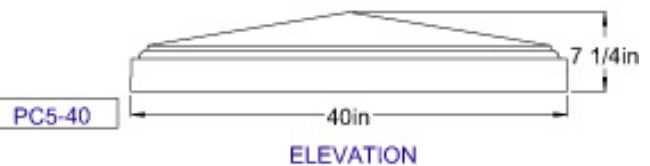
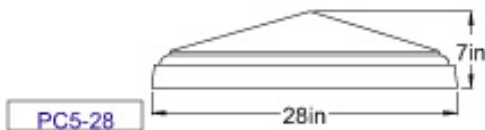
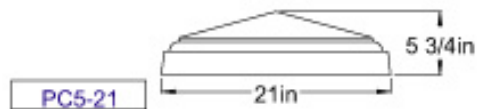
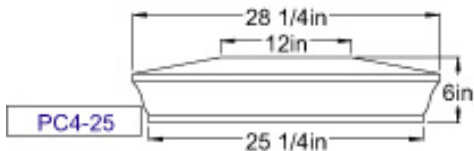
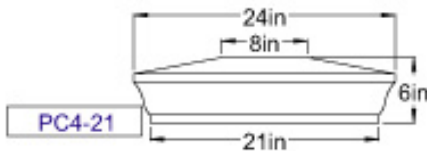
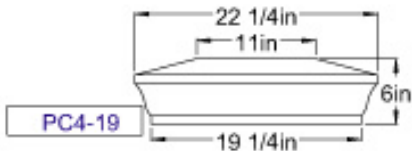
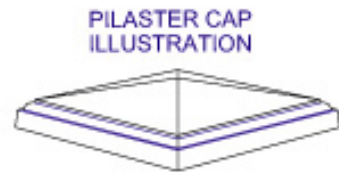
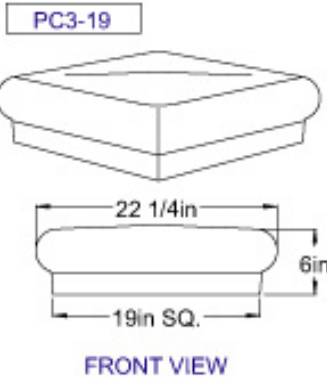


**Quick Reference - Pilaster Caps 1**

### PILASTER CAPS



**PILASTER CAPS**



**PILASTER CAPS**



TOP VIEW



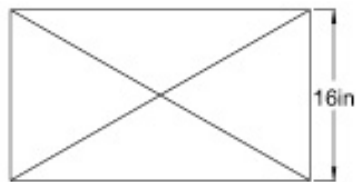
PC6-13-17  
FRONT VIEW



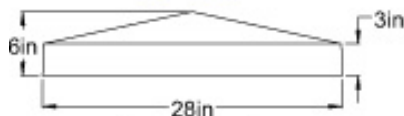
TOP VIEW



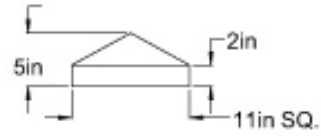
PC6-13-24  
FRONT VIEW



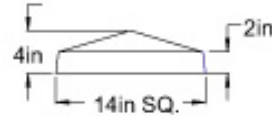
TOP VIEW



PC6-16-28  
FRONT VIEW



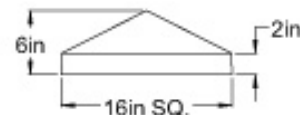
PC6-11



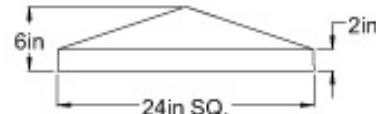
PC6-14



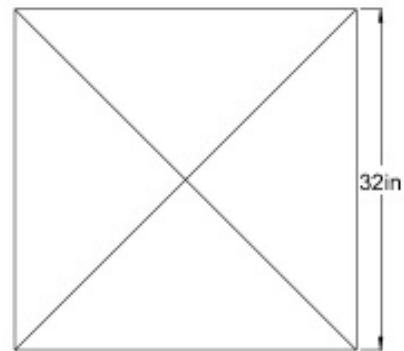
PC6-15



PC6-16



PC6-24  
FRONT VIEW



TOP VIEW



PC6-32  
FRONT VIEW

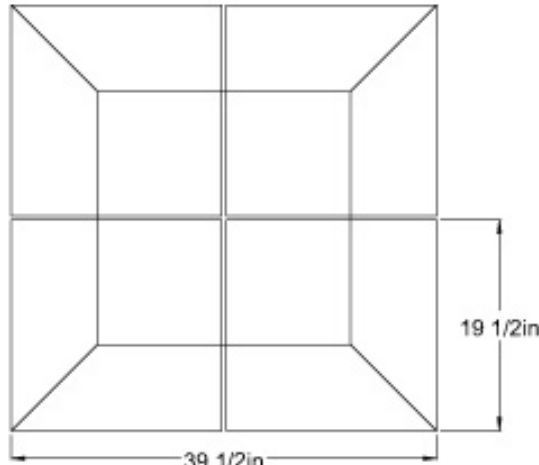


### PILASTER CAPS

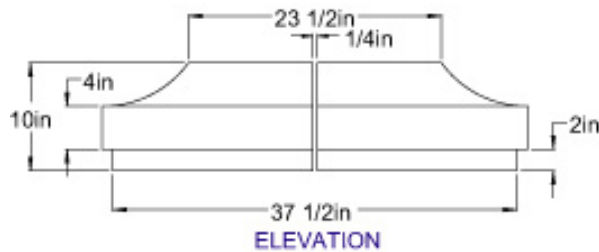


AUXILIARY VIEW

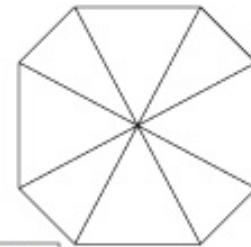
PC7-37  
4 PIECE PILASTER CAP



PLAN VIEW



ELEVATION



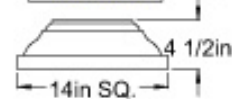
PC9-22

PLAN VIEW

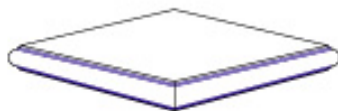
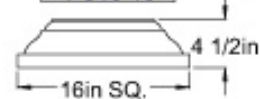


FRONT VIEW

PC10-14



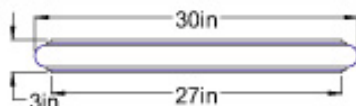
PC10-16



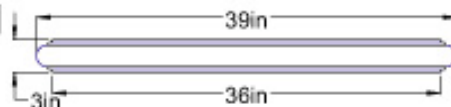
PC8-18



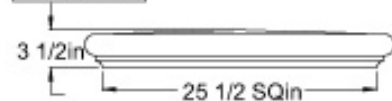
PC8-27



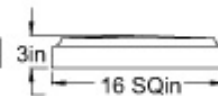
PC8-36



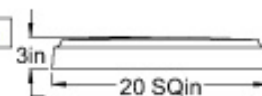
PC11-25



PC16-16

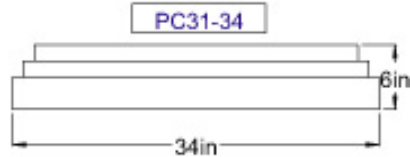
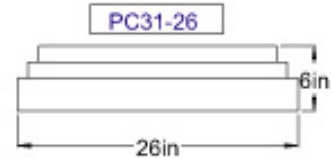
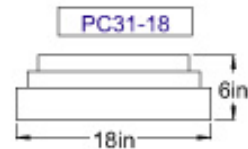
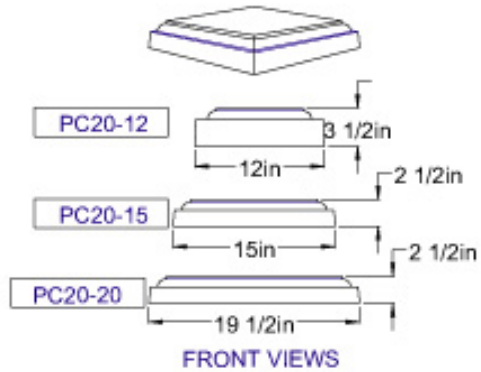
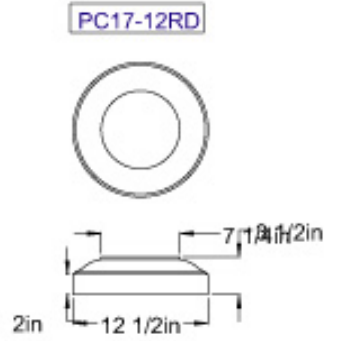
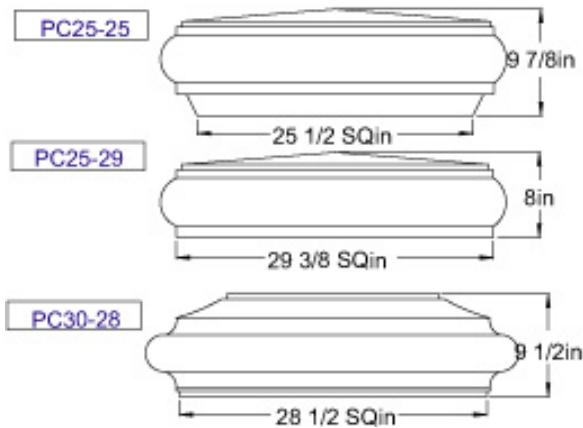
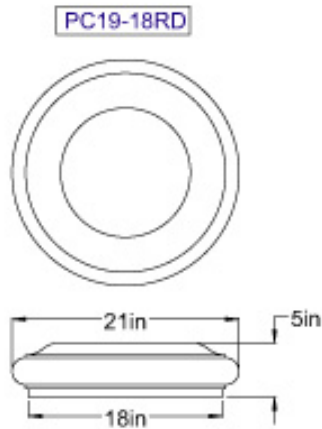
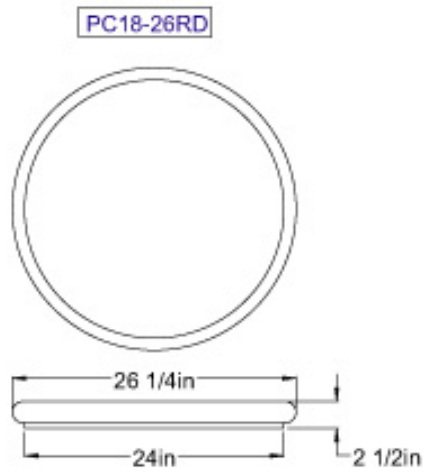


PC16-20

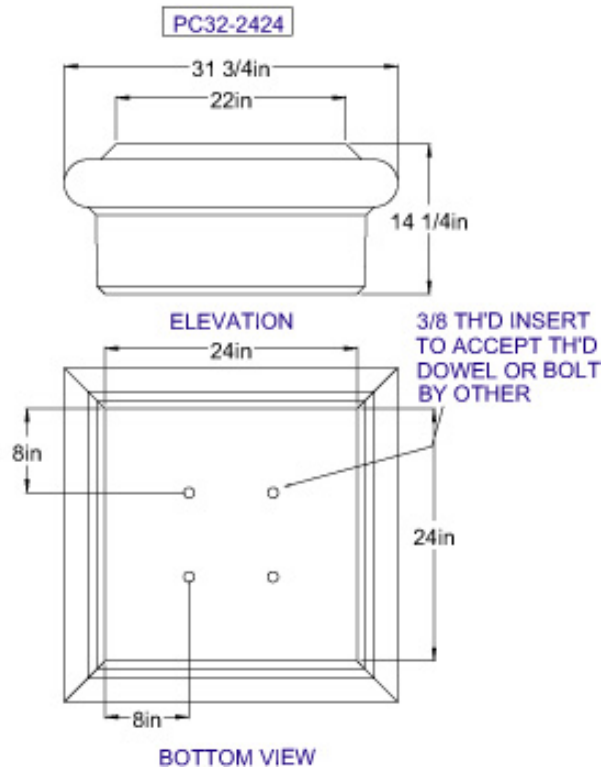
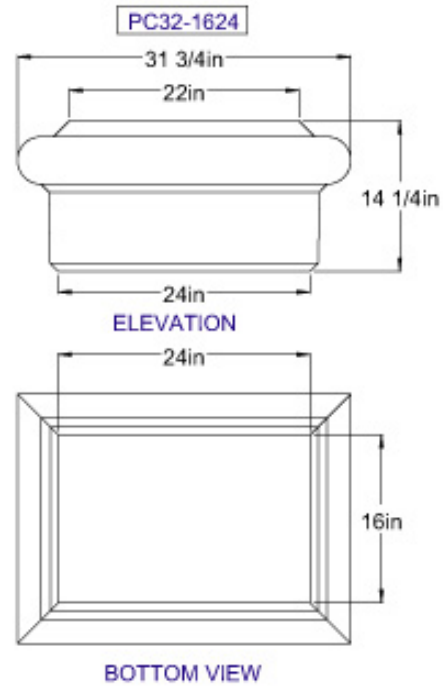
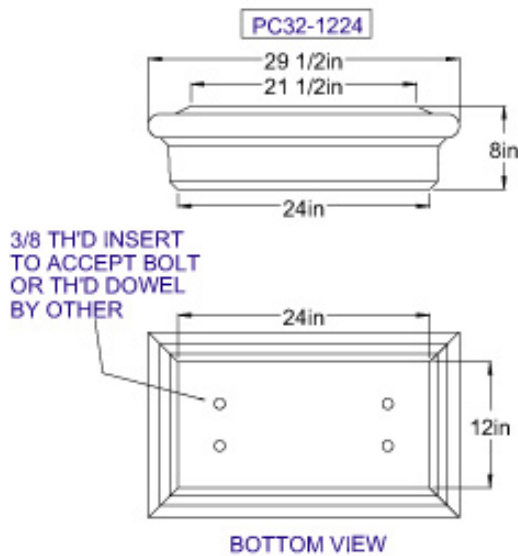
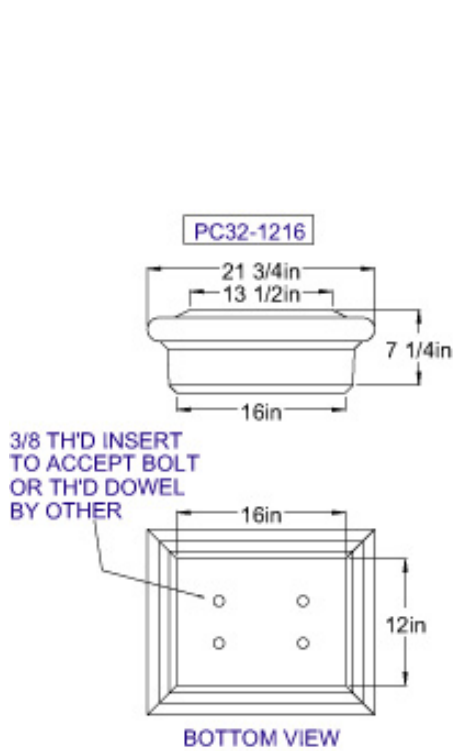




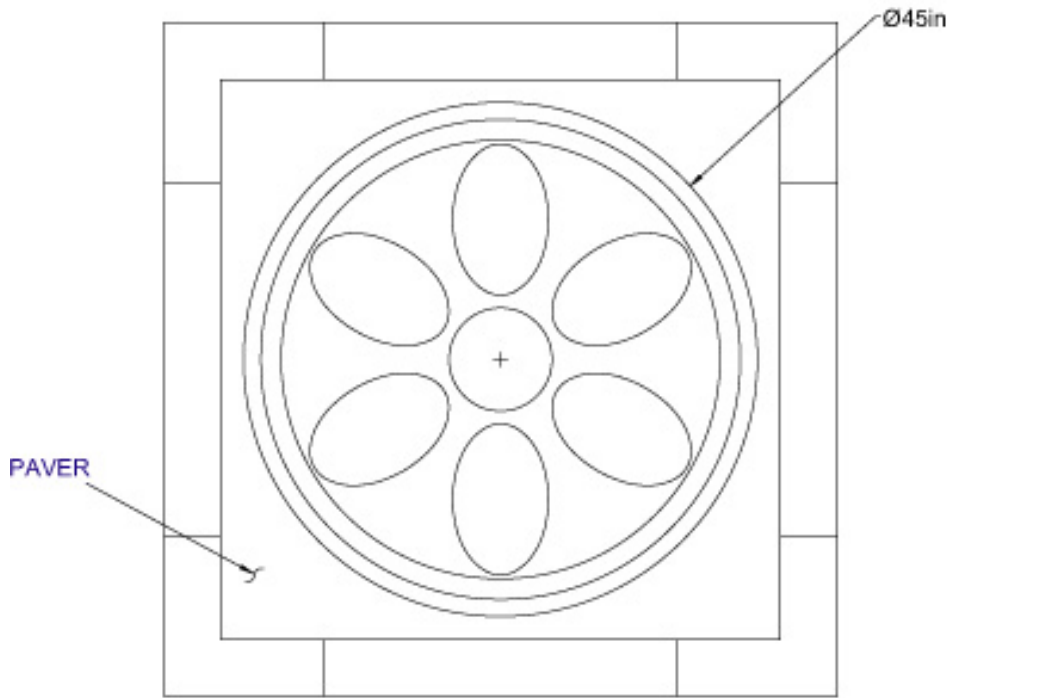
**PILASTER CAPS**



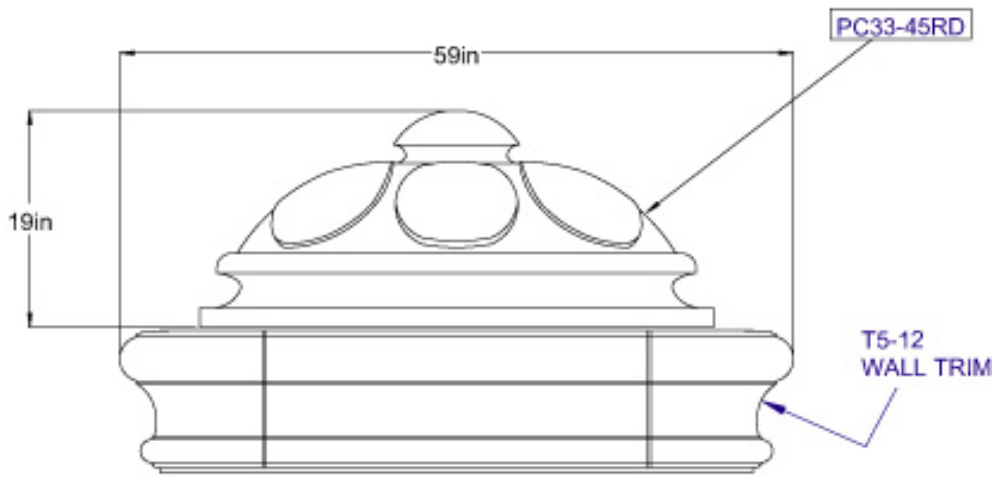
**PILASTER CAPS**



PILASTER CAPS



PLAN VIEW

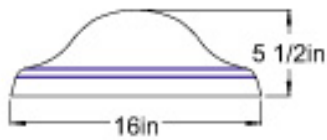


ELEVATION VIEW

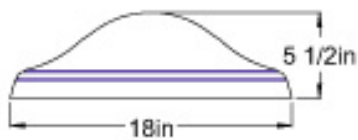
4 - 7

**PILASTER CAPS**

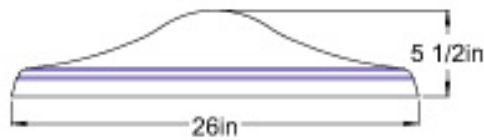
PC48-16



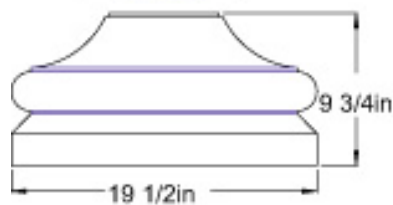
PC48-18



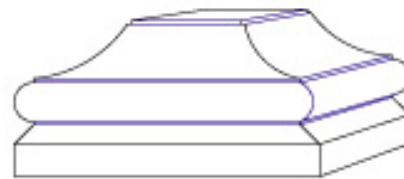
PC48-26



PC60-20



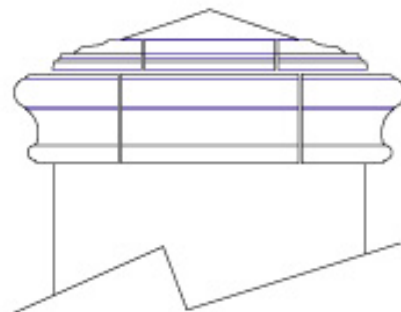
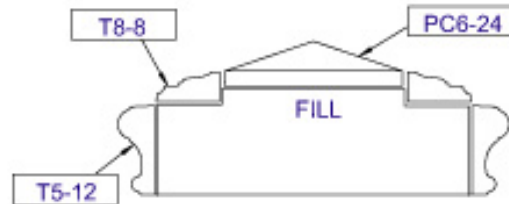
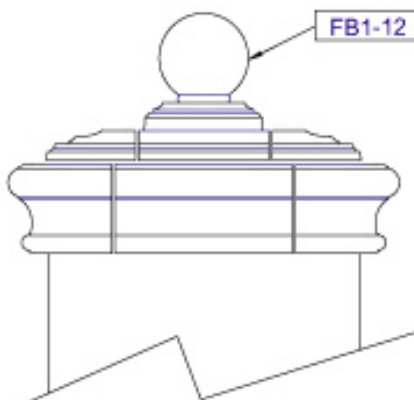
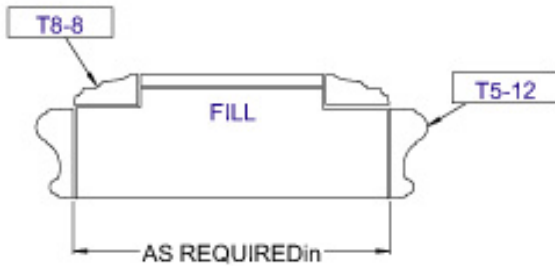
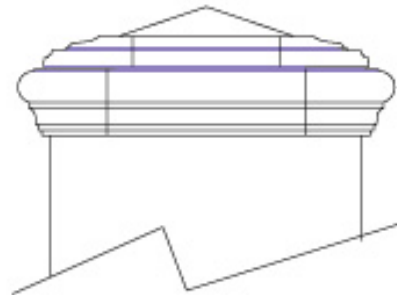
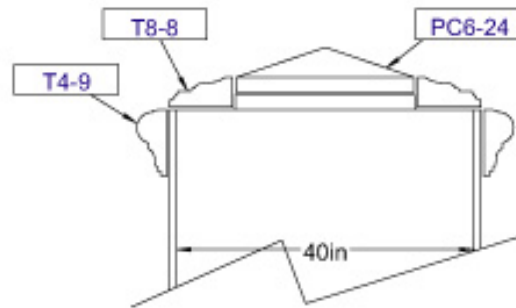
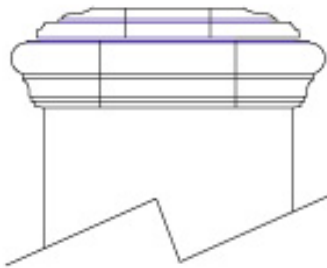
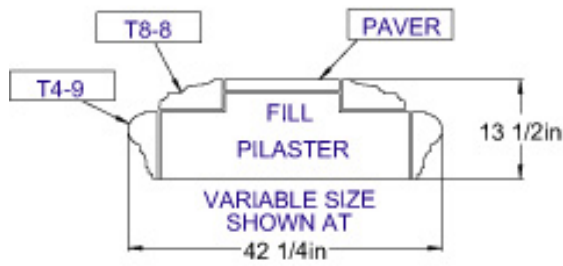
PILASTER CAP  
 ILLUSTRATION



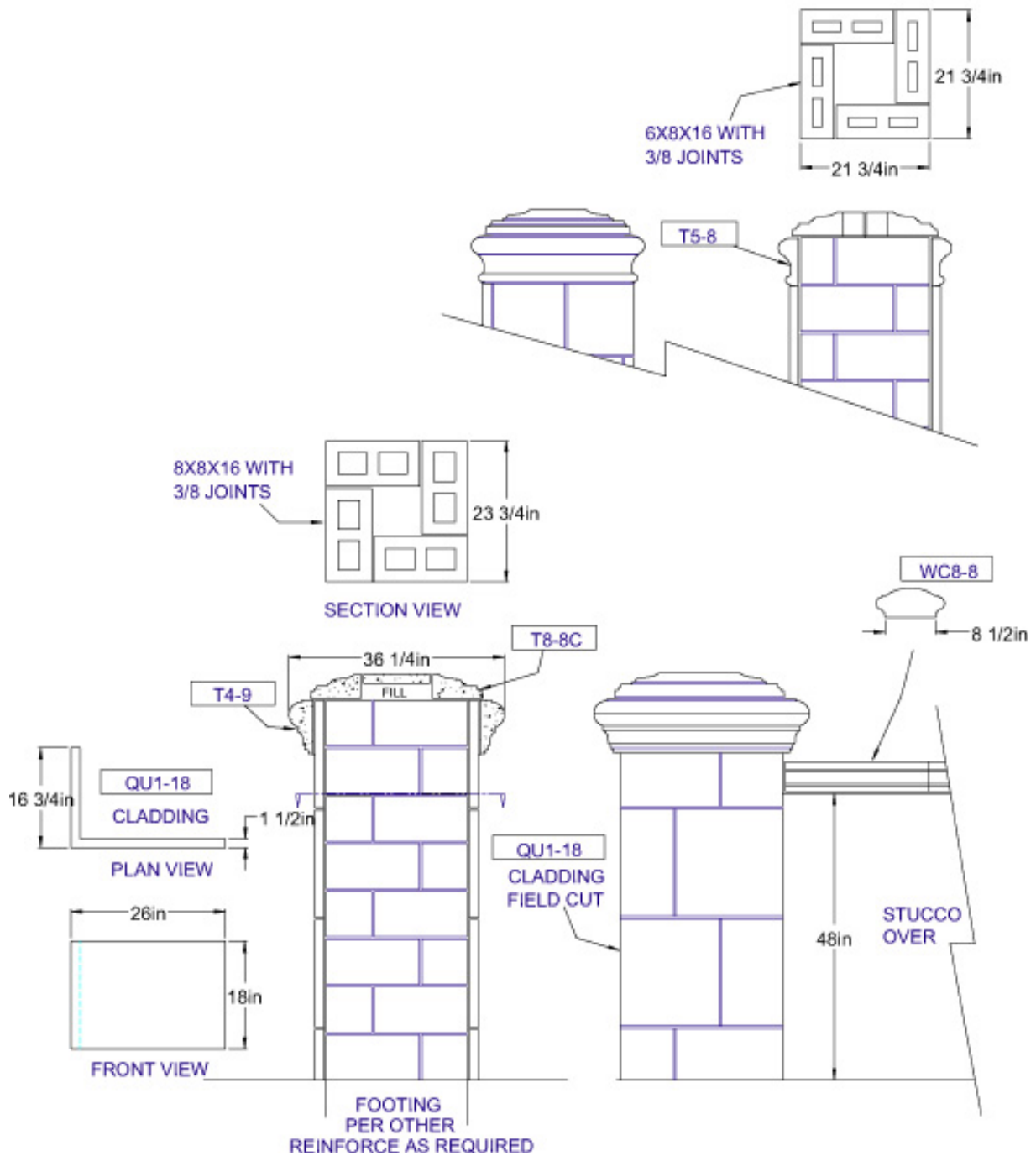
**R. C. CONSTRUCTION**

**4 - 8**

**PILASTER CAP ASSEMBLIES**



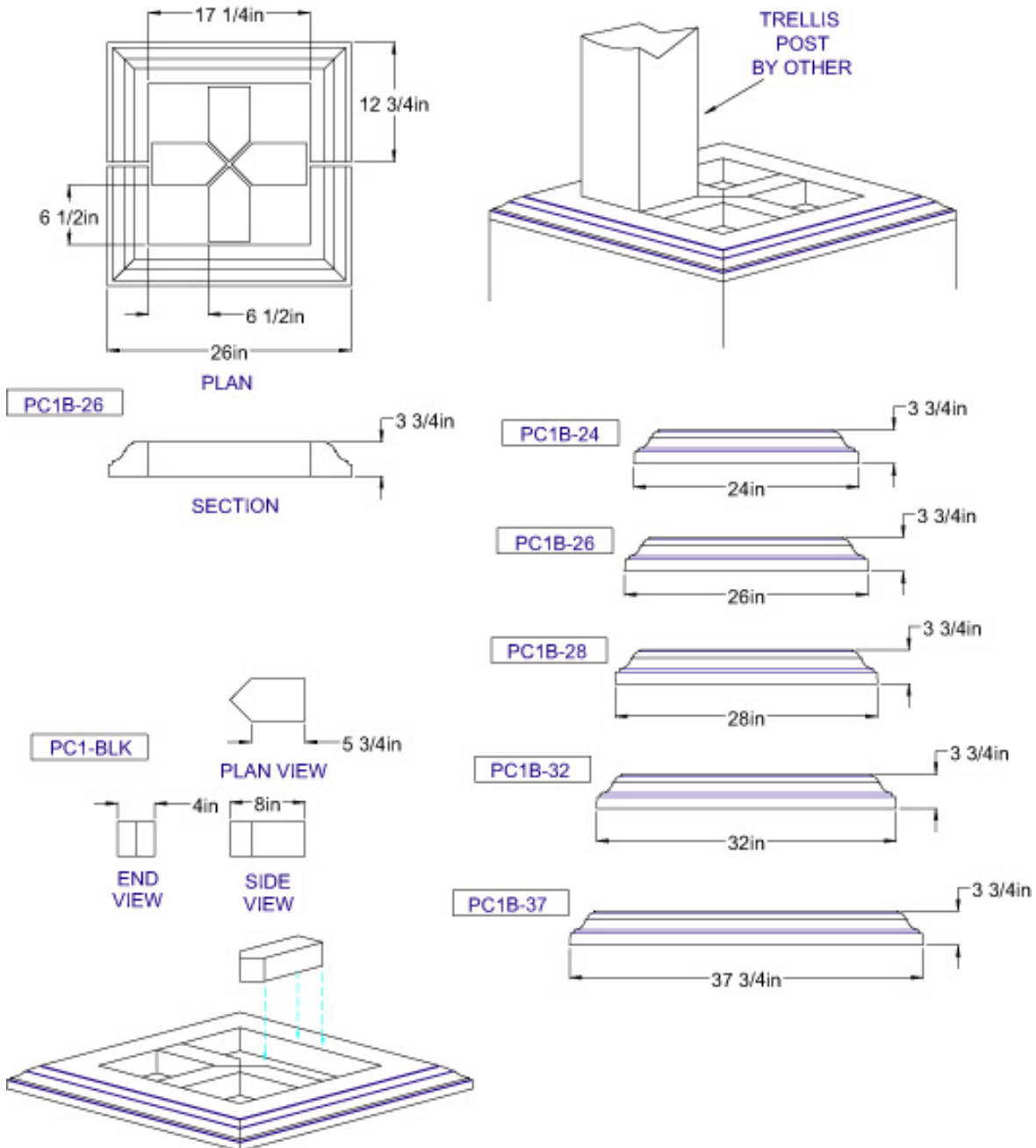
**PILASTER CAPS ASSEMBLIES**



4 - 10



**PILASTER CAPS  
AND ILLUSTRATION**

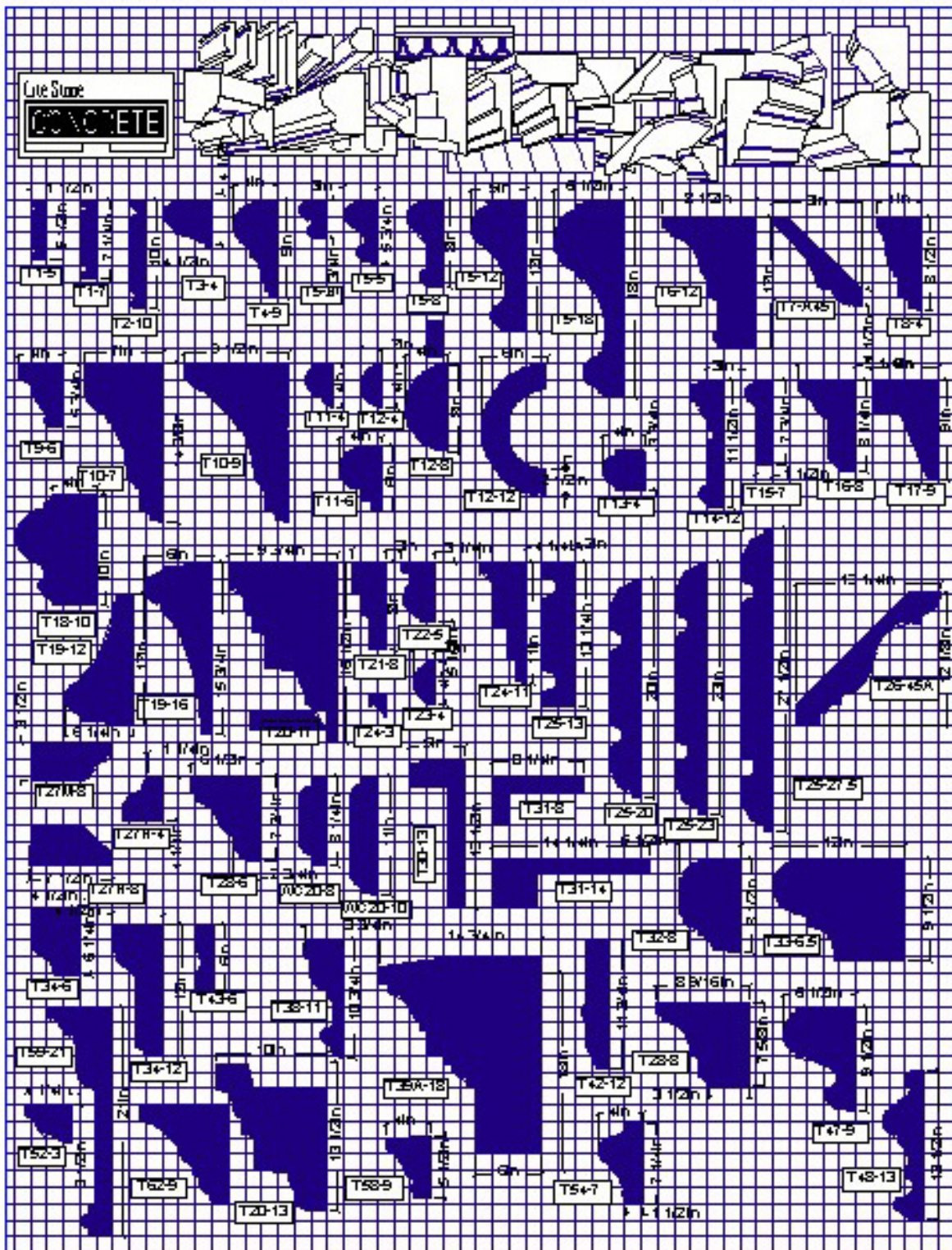


TRIM & MOLDING  
SECTION 5



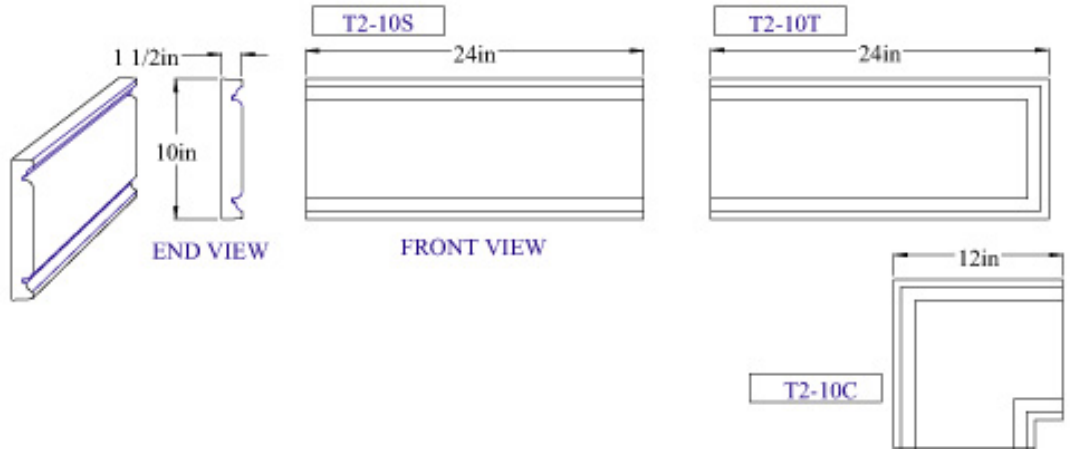
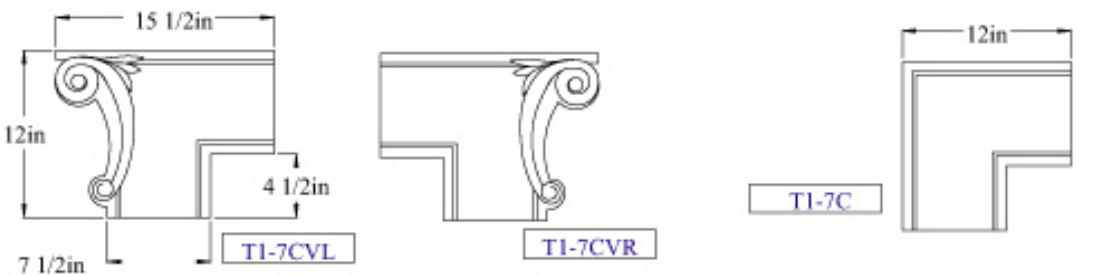
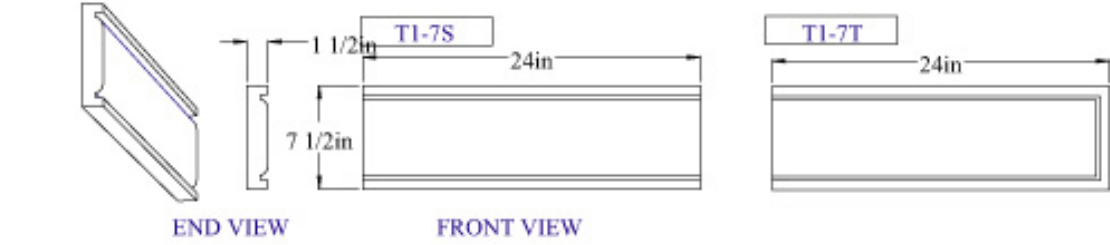
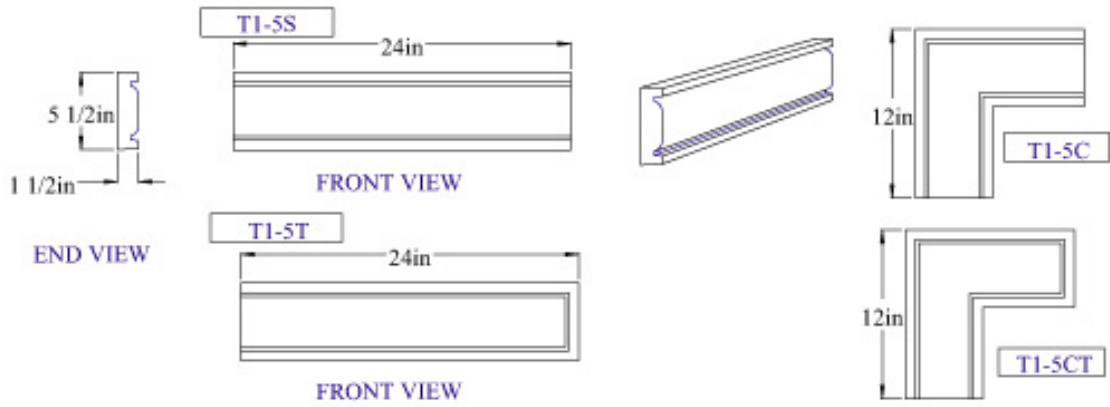
Trim and Molding products are the most versatile items in our product line. They may be used in order to surround windows, doors, niches, chimney tops, and to construct pilaster cap assemblies.



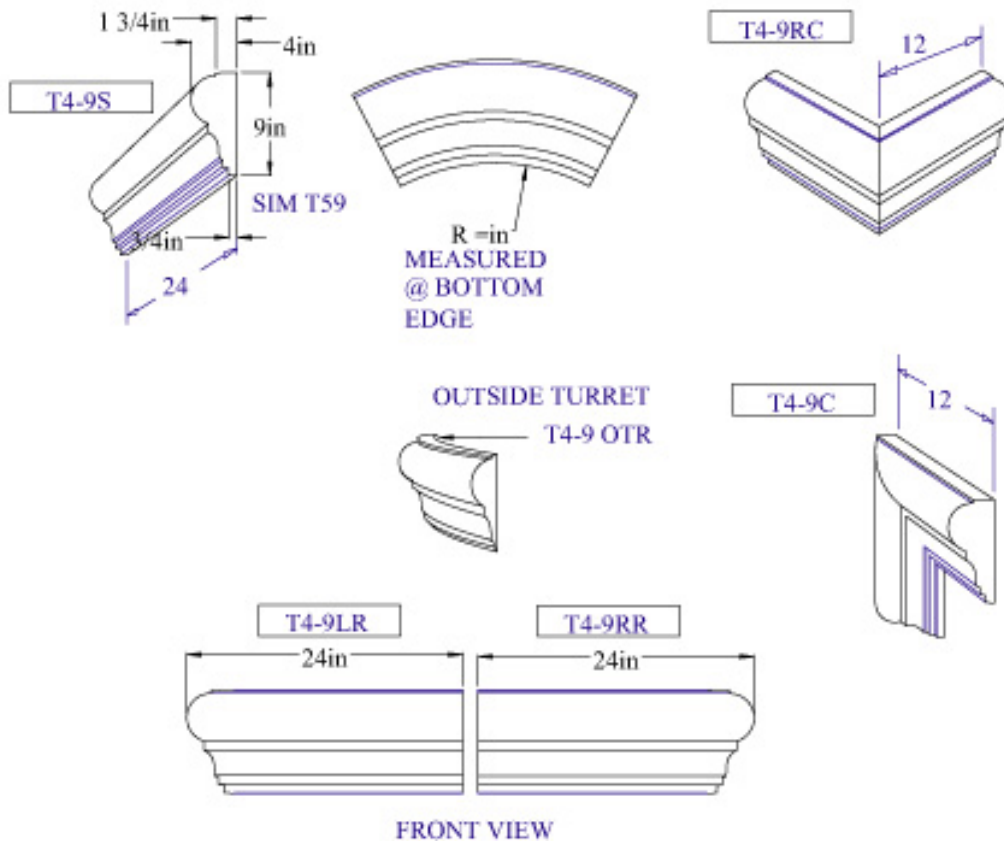
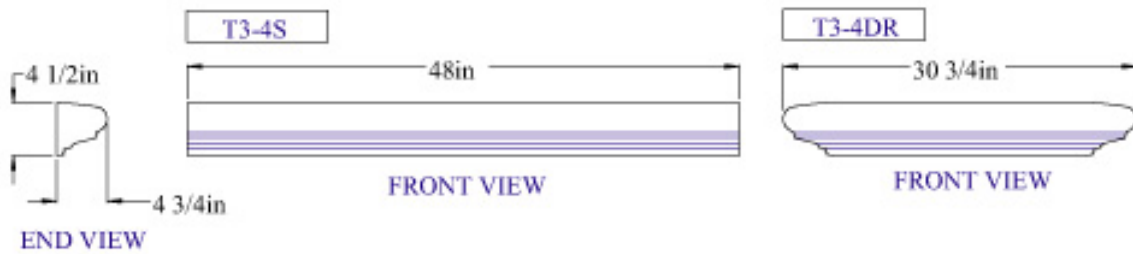


Quick Reference - Trim & Moldings 1

### TRIM & MOLDING

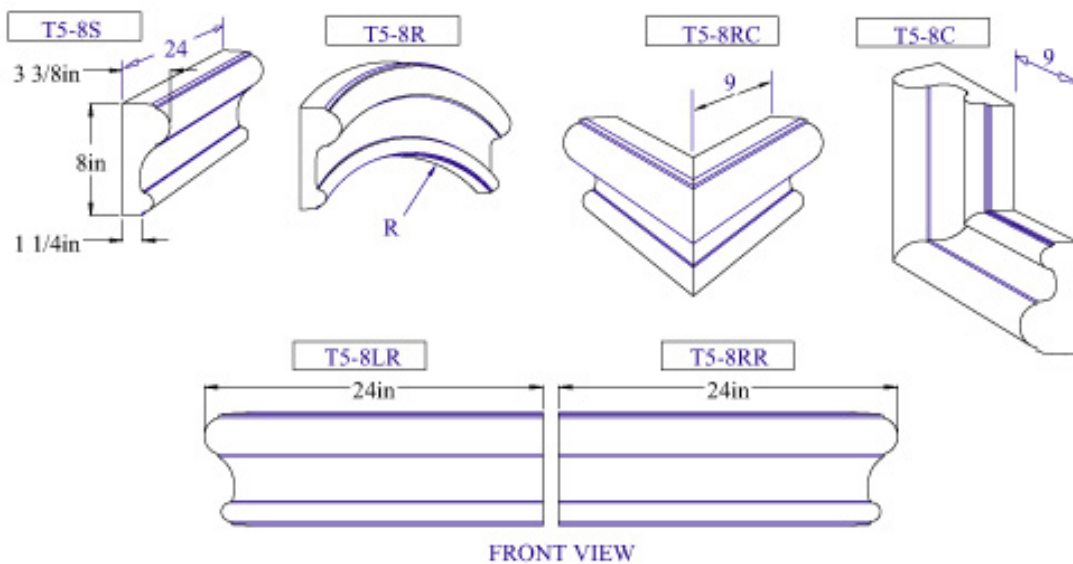
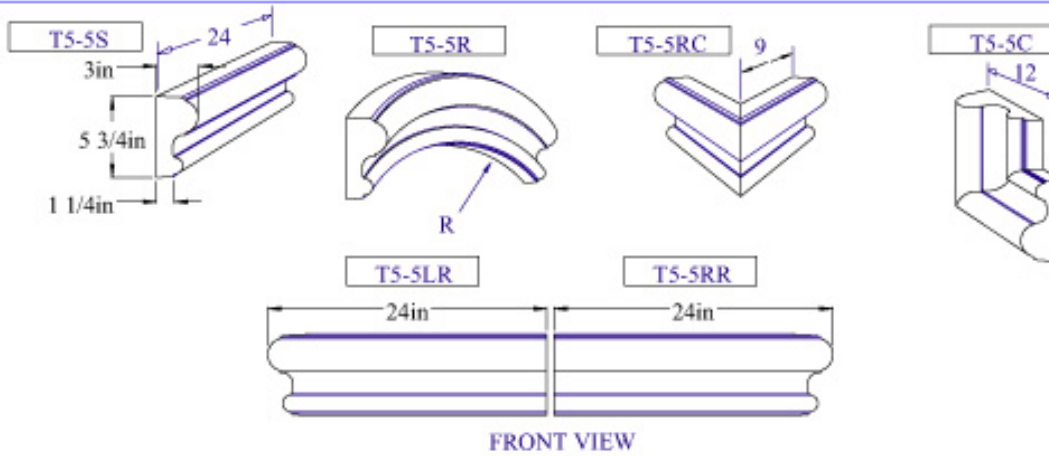
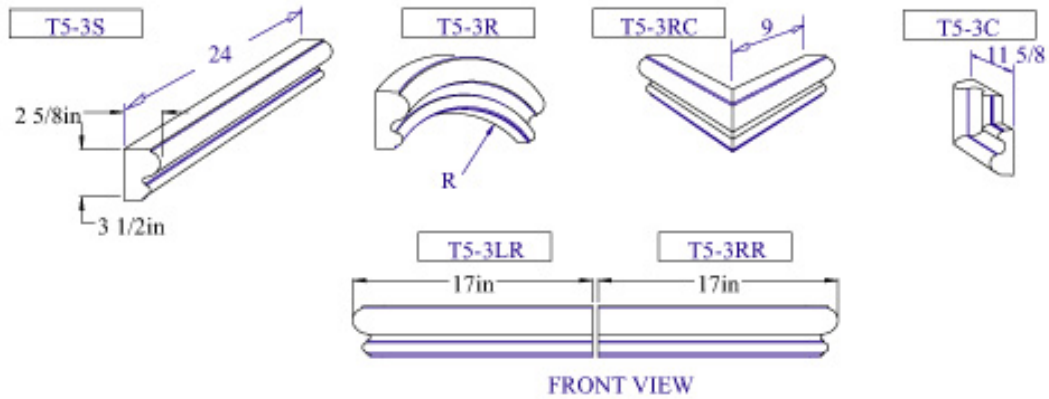


TRIM & MOLDING



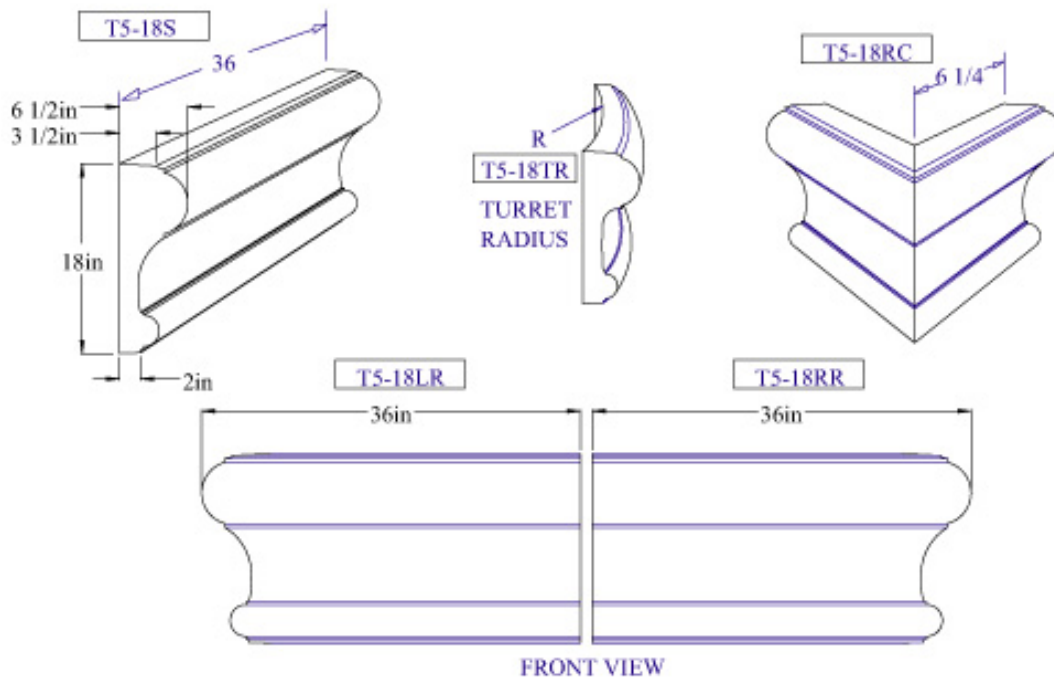
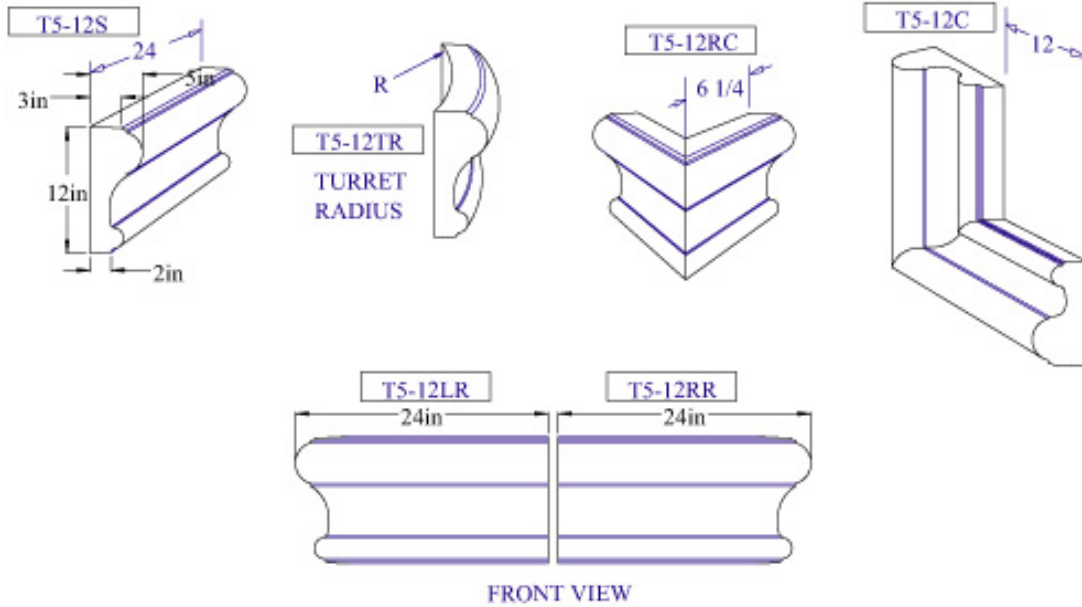


### TRIM & MOLDING



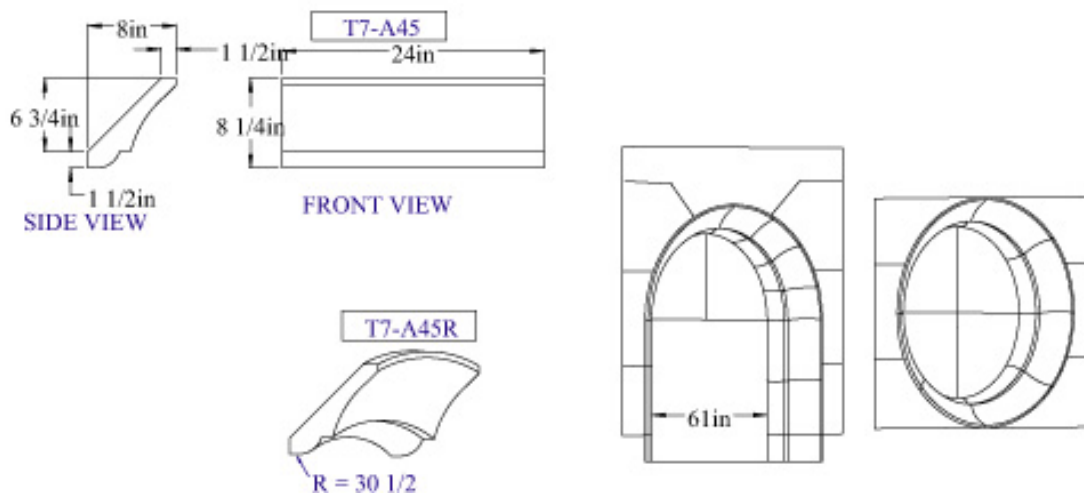
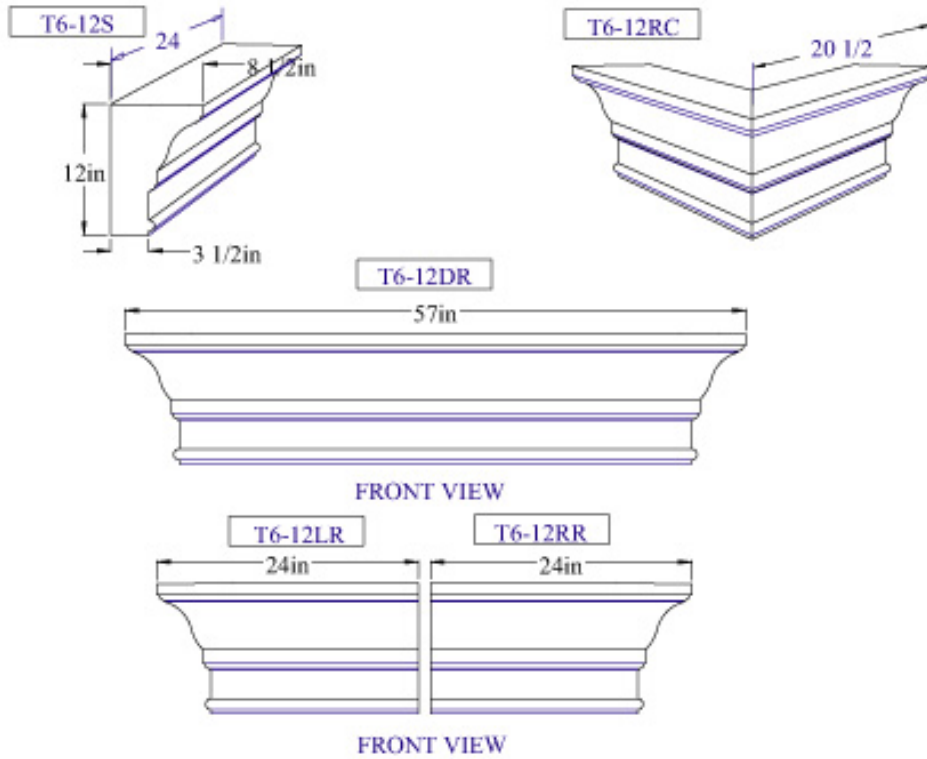


### TRIM & MOLDING

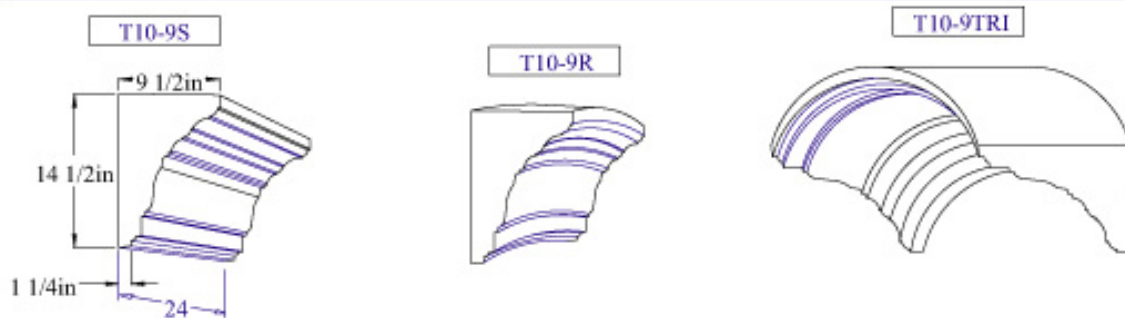
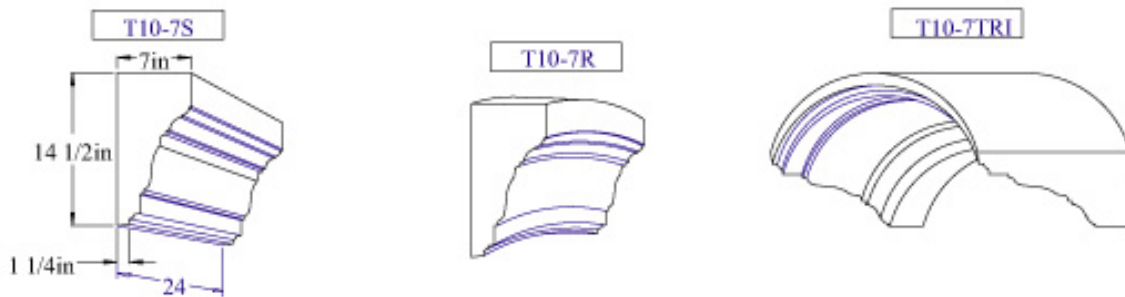
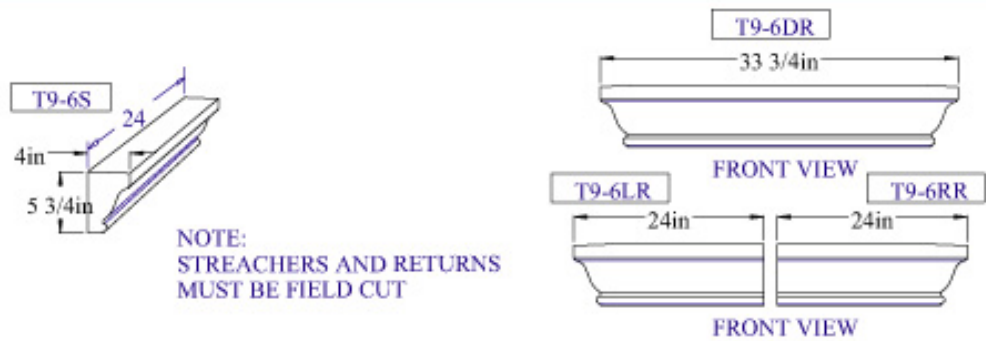
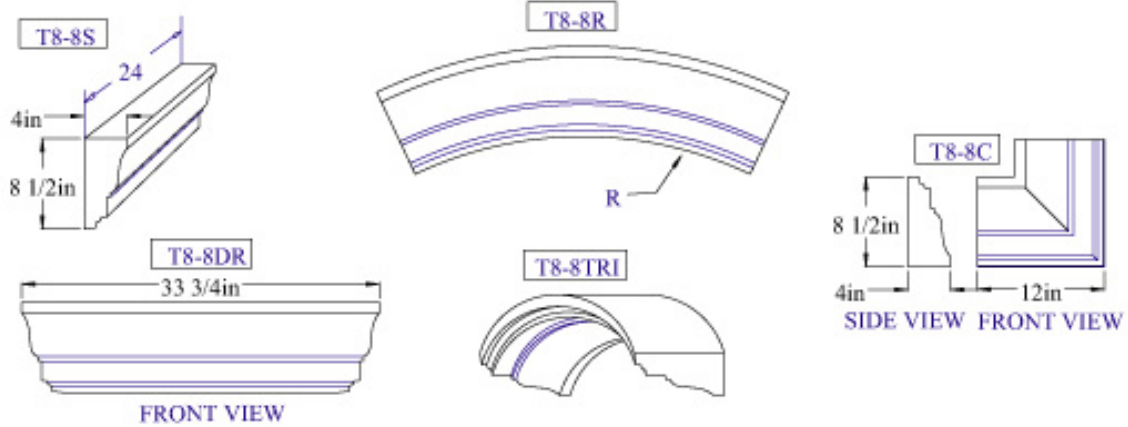


**NOTE:**  
RADI AND TURRET CASTINGS AVAILABLE FOR ALL PARTS.

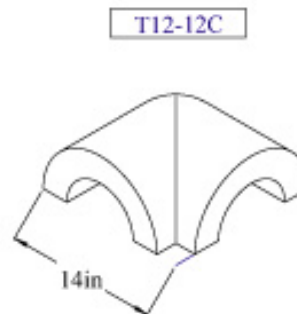
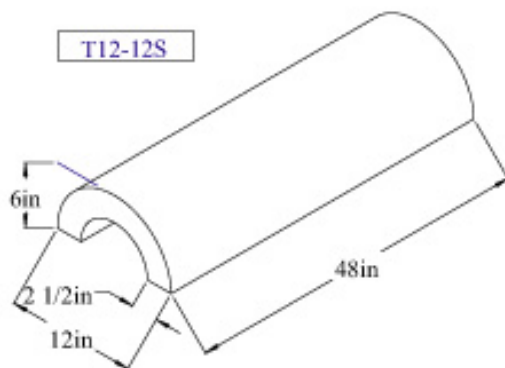
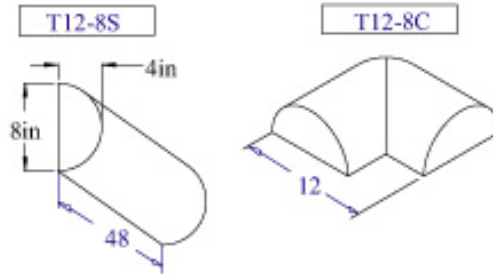
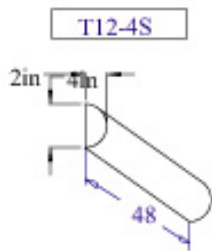
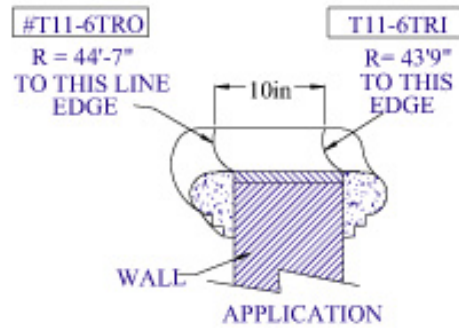
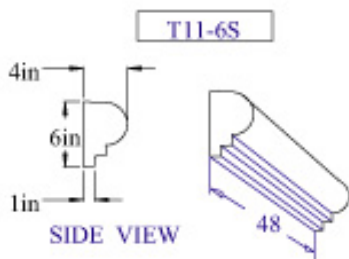
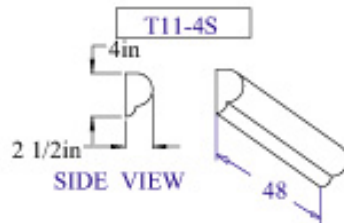
TRIM & MOLDING



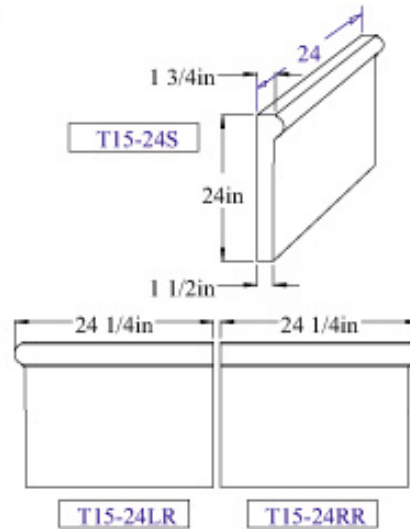
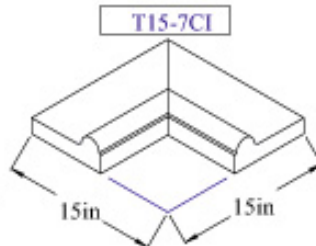
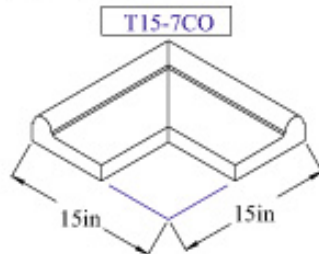
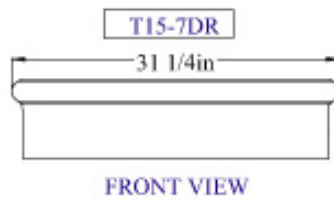
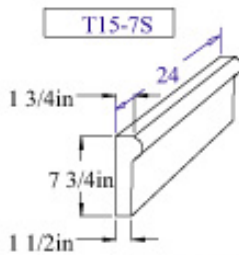
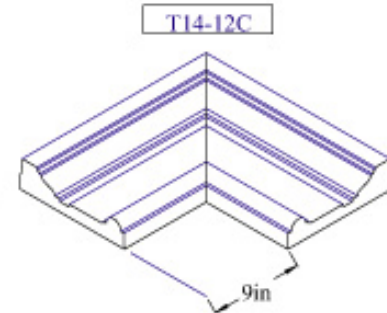
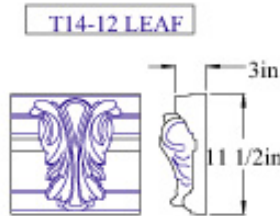
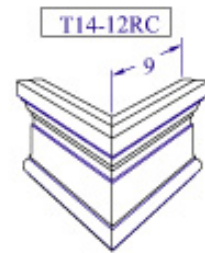
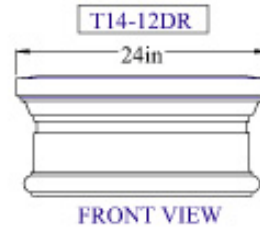
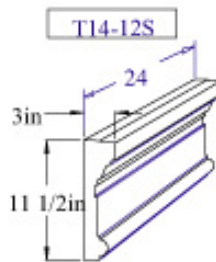
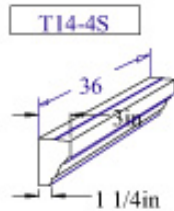
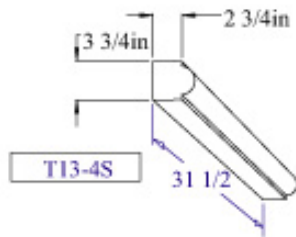
### TRIM & MOLDING



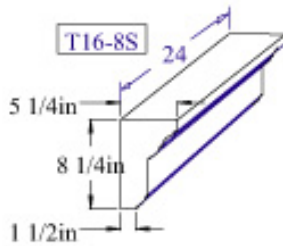
### TRIM & MOLDING



### TRIM & MOLDING



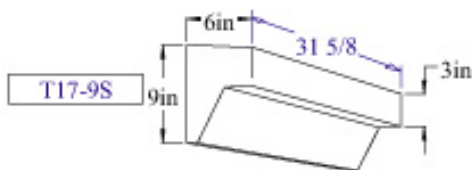
### TRIM & MOLDING



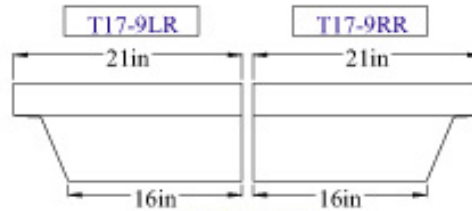
FRONT VIEW



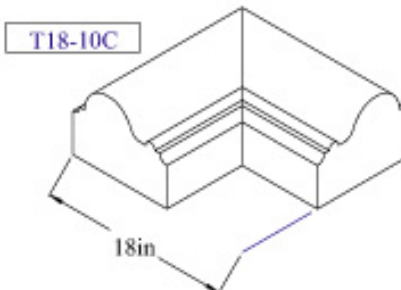
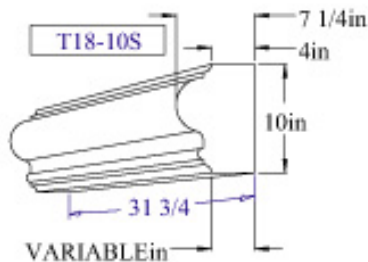
FRONT VIEW



FRONT VIEW

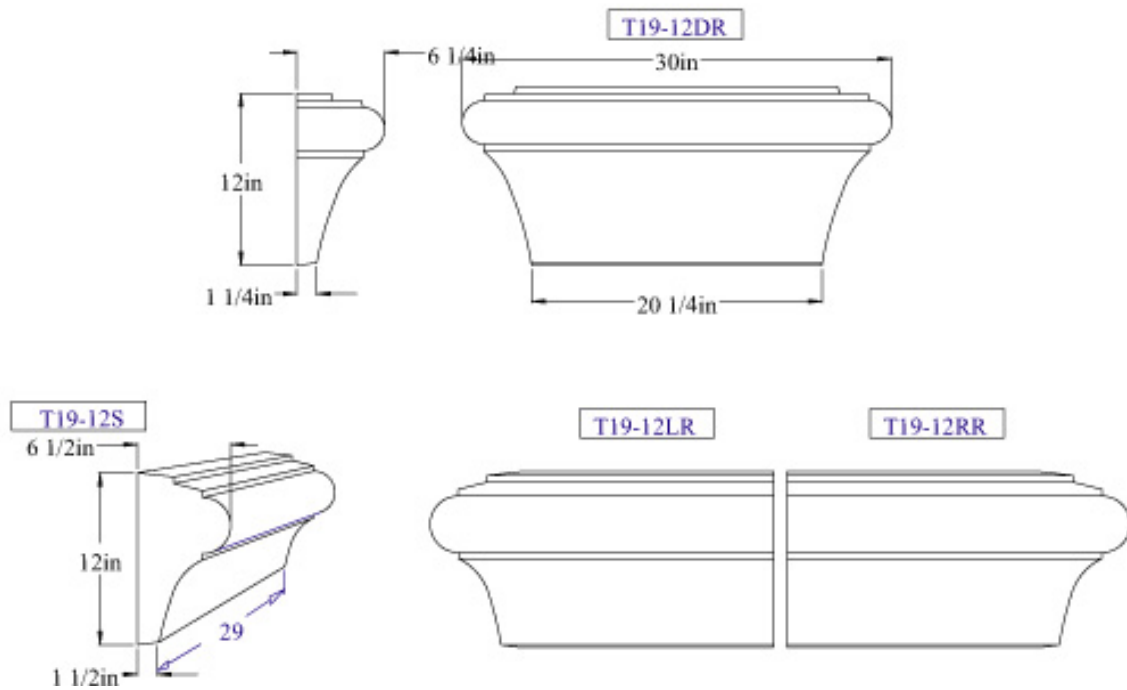
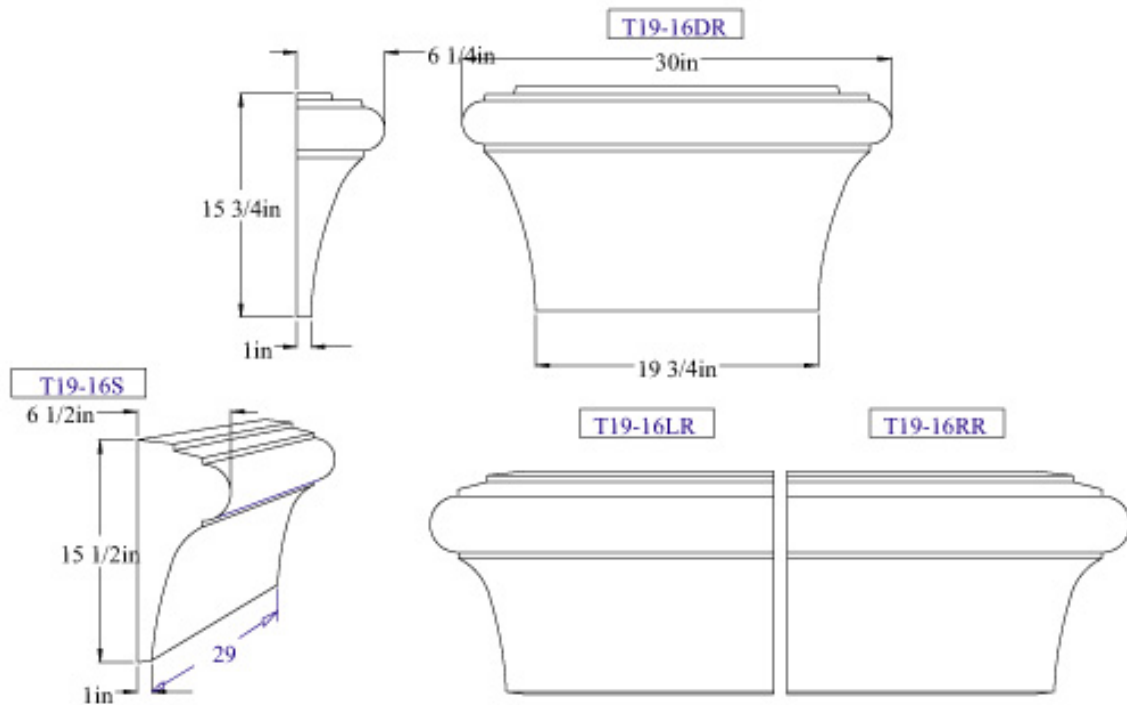


FRONT VIEW

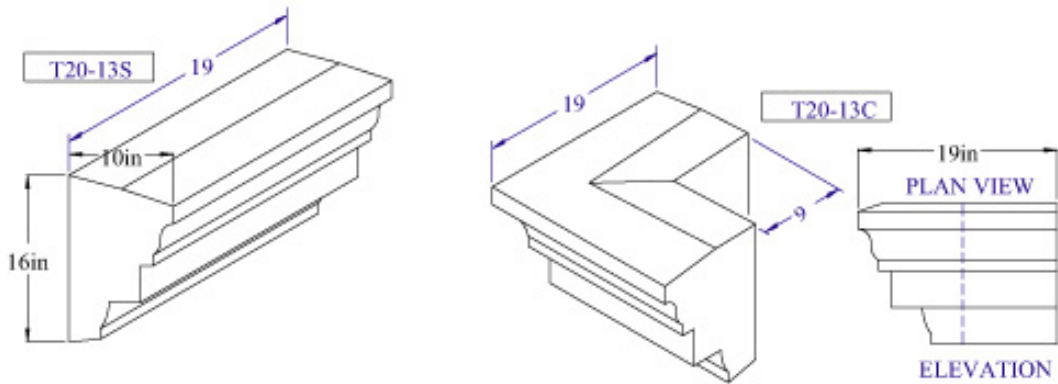




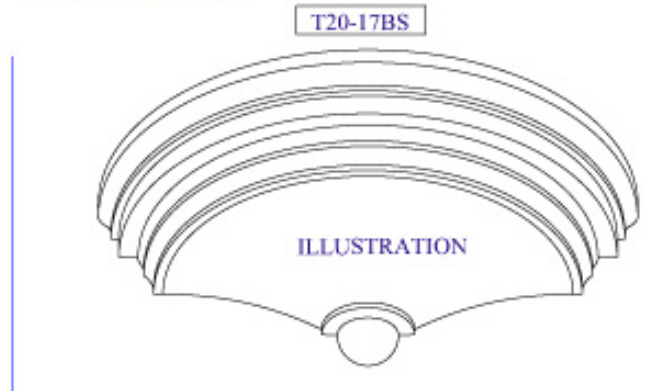
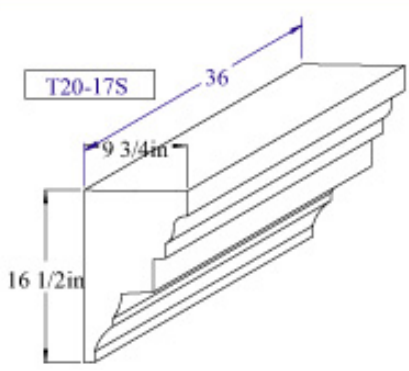
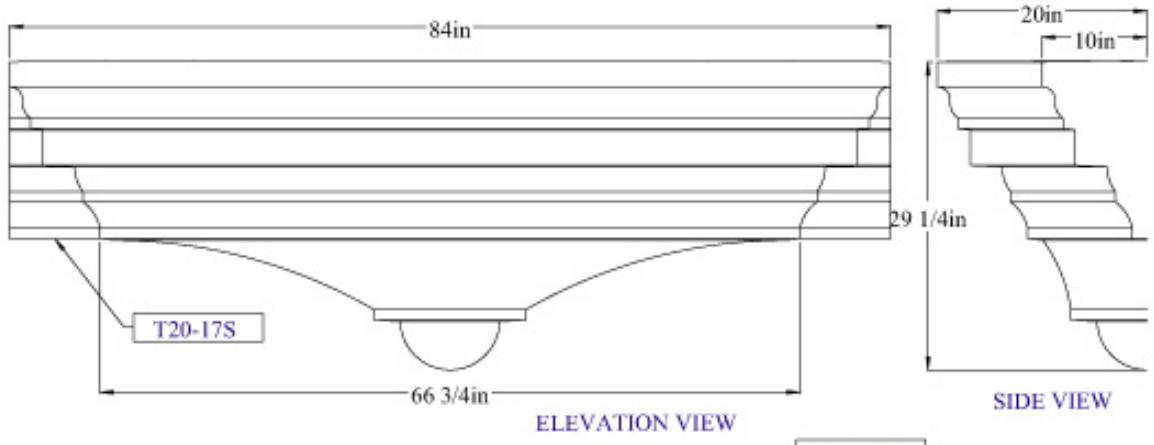
**TRIM & MOLDING**



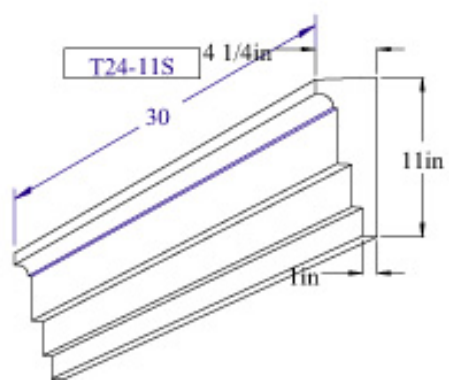
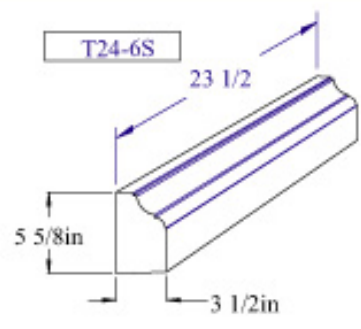
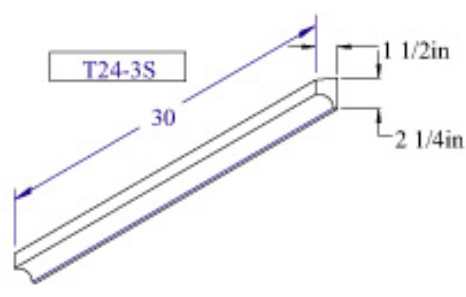
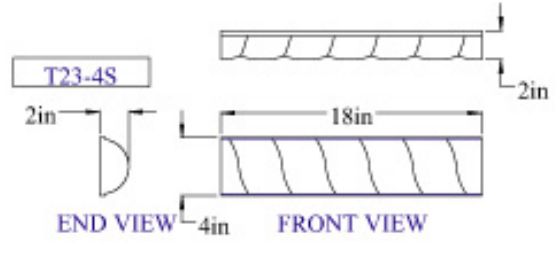
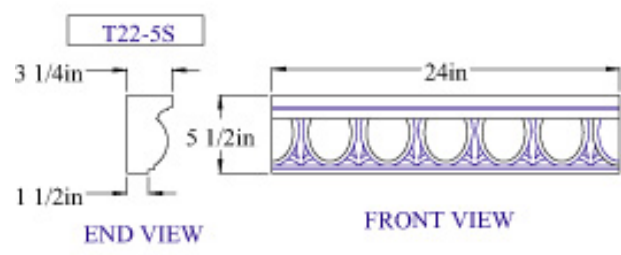
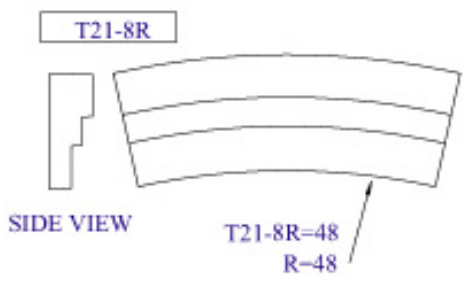
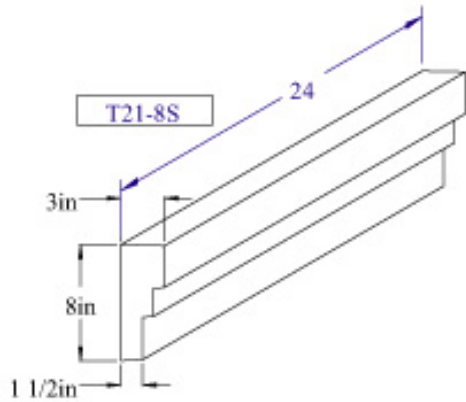
TRIM & MOLDING



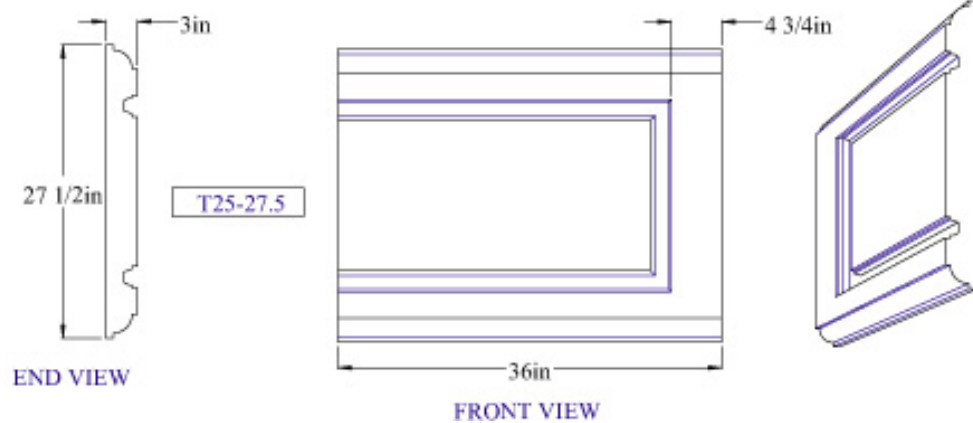
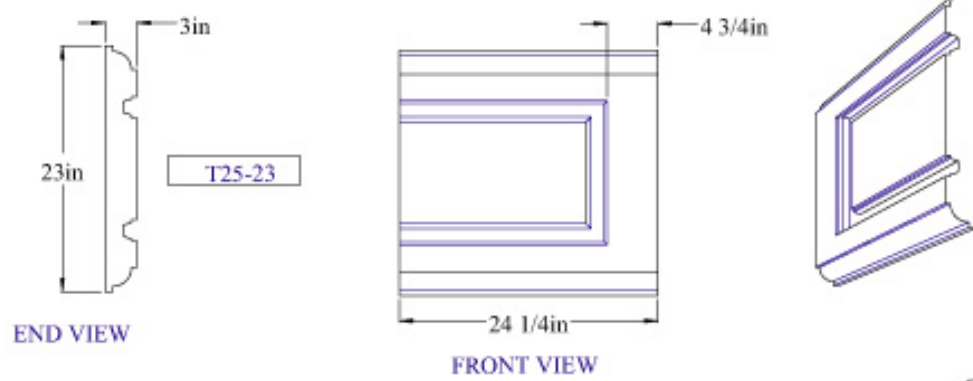
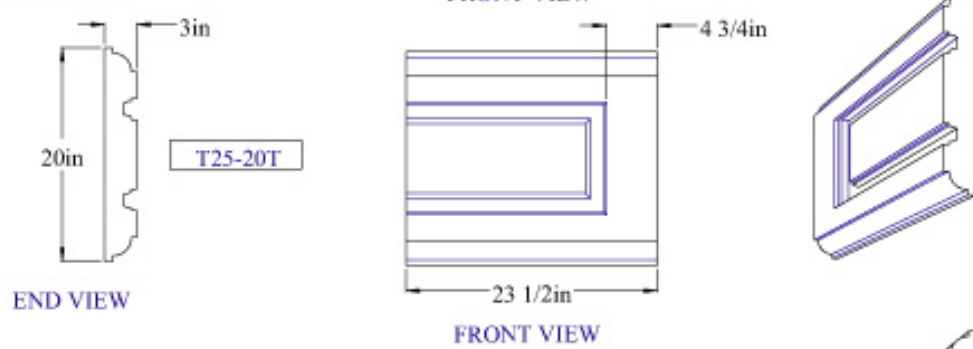
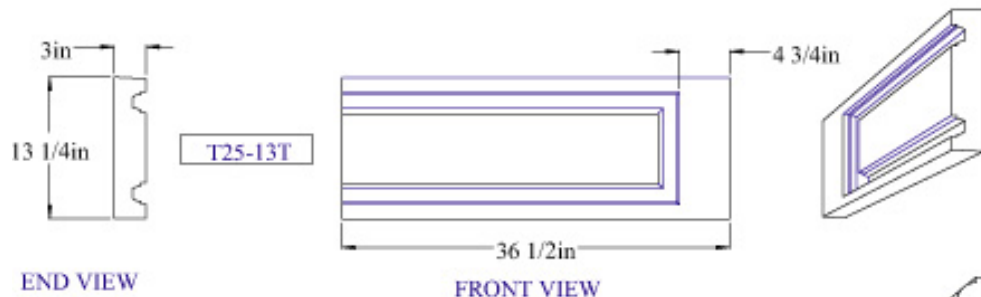
Window Sill to be used in conjunction with wall molding T20-17S



### TRIM & MOLDING

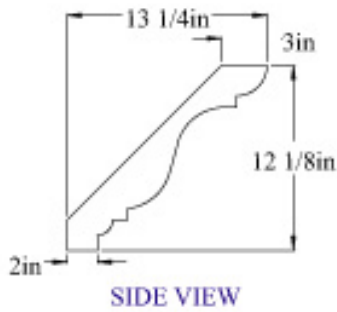


**TRIM & MOLDING**

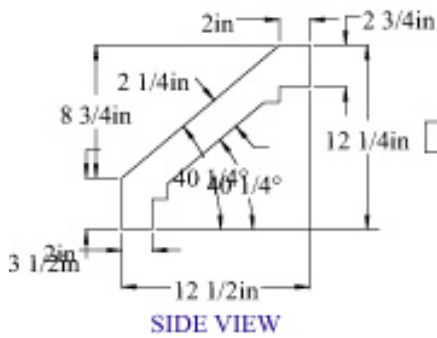
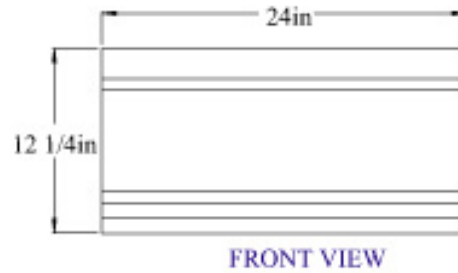


**5 - 13**

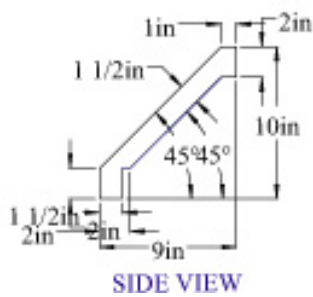
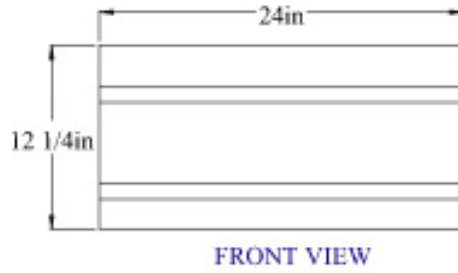
TRIM & MOLDING



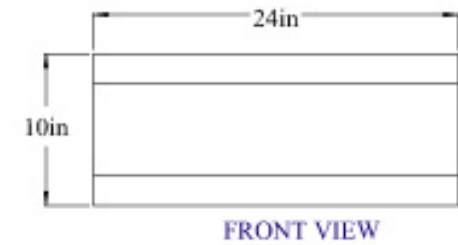
T26-A45



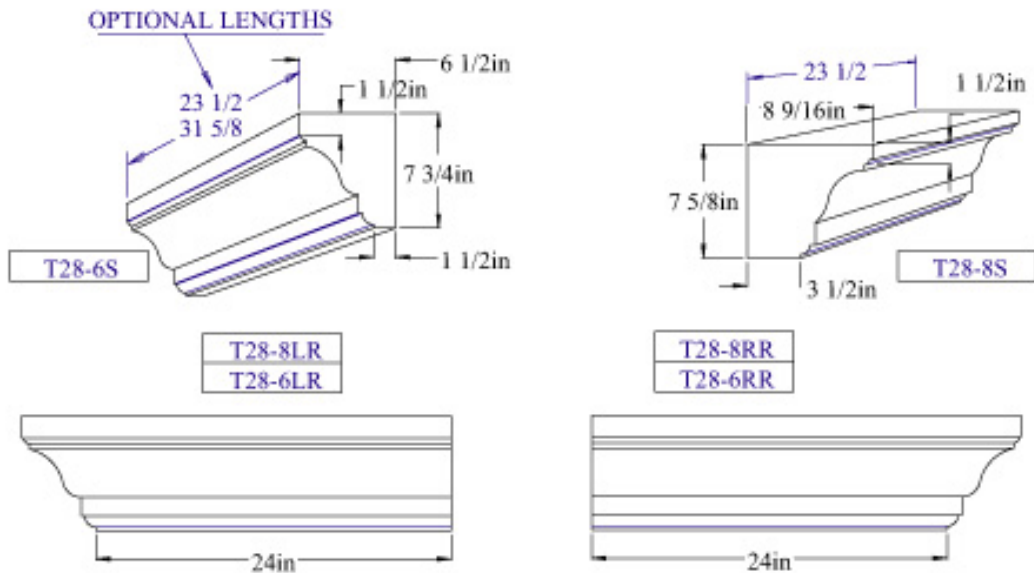
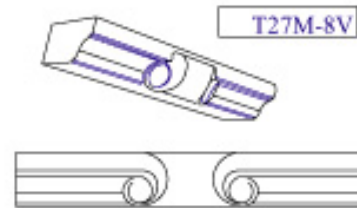
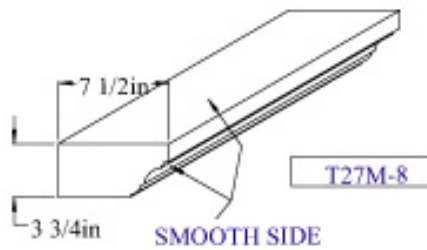
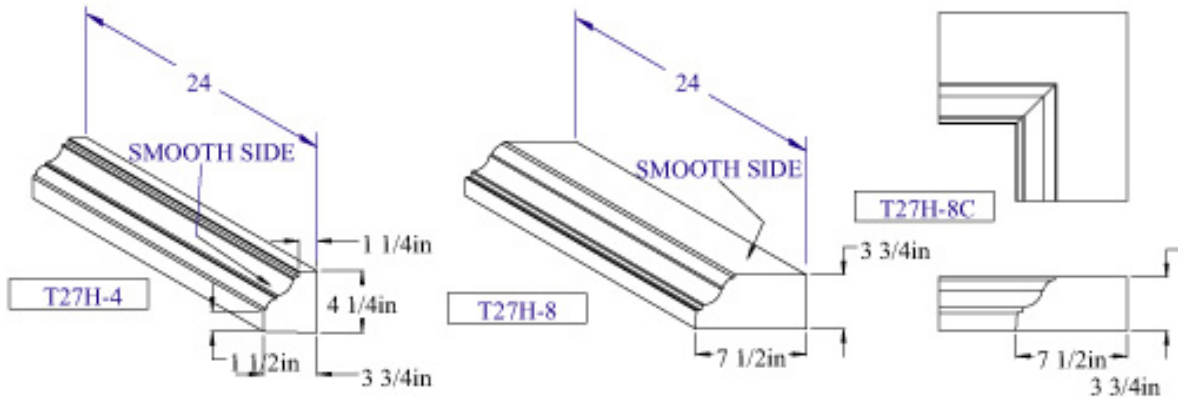
T26-B45



T26-C45



### TRIM & MOLDING

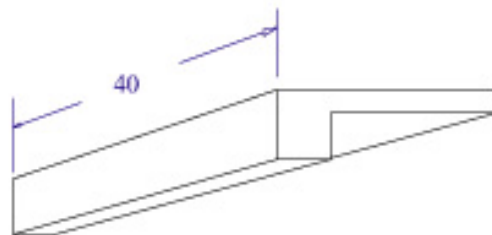
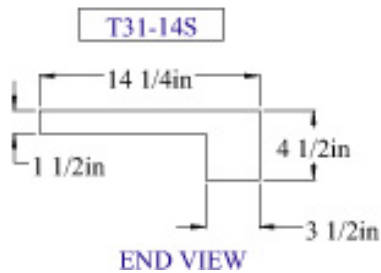
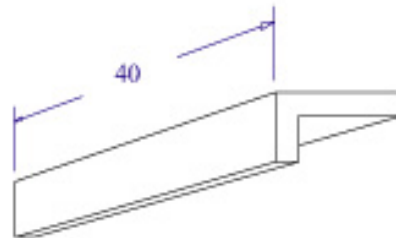
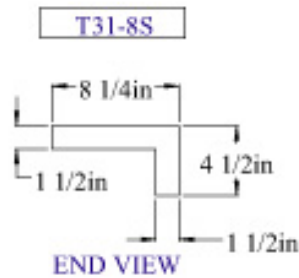
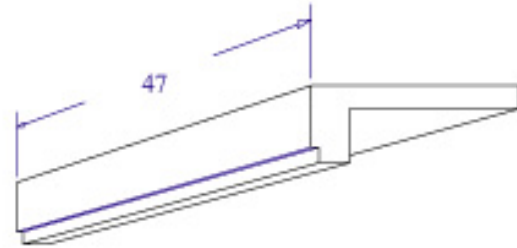
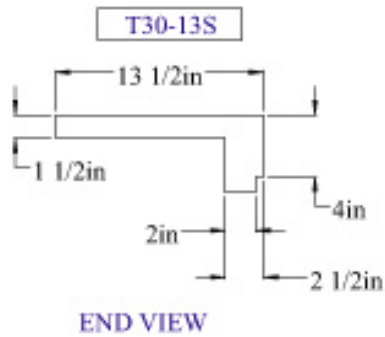


FRONT VIEW

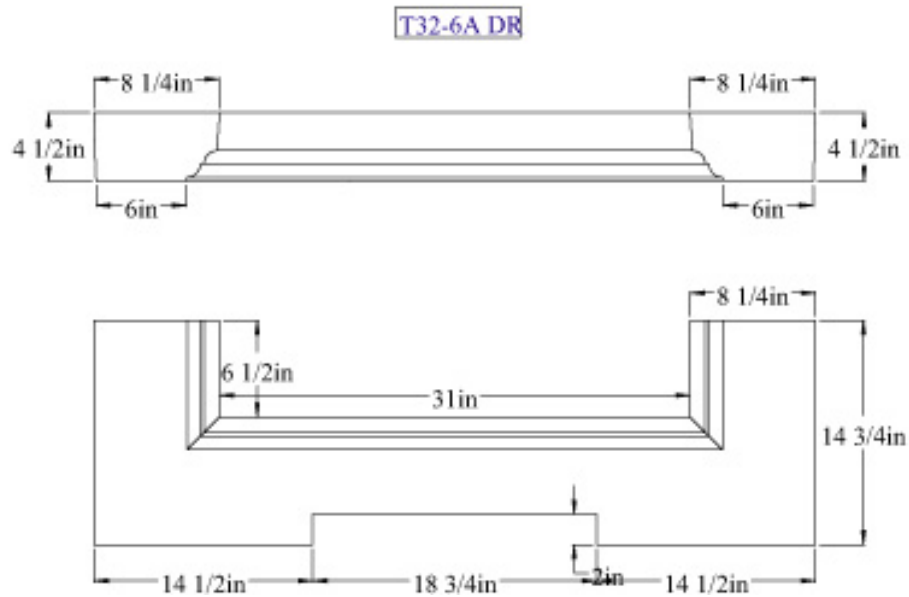
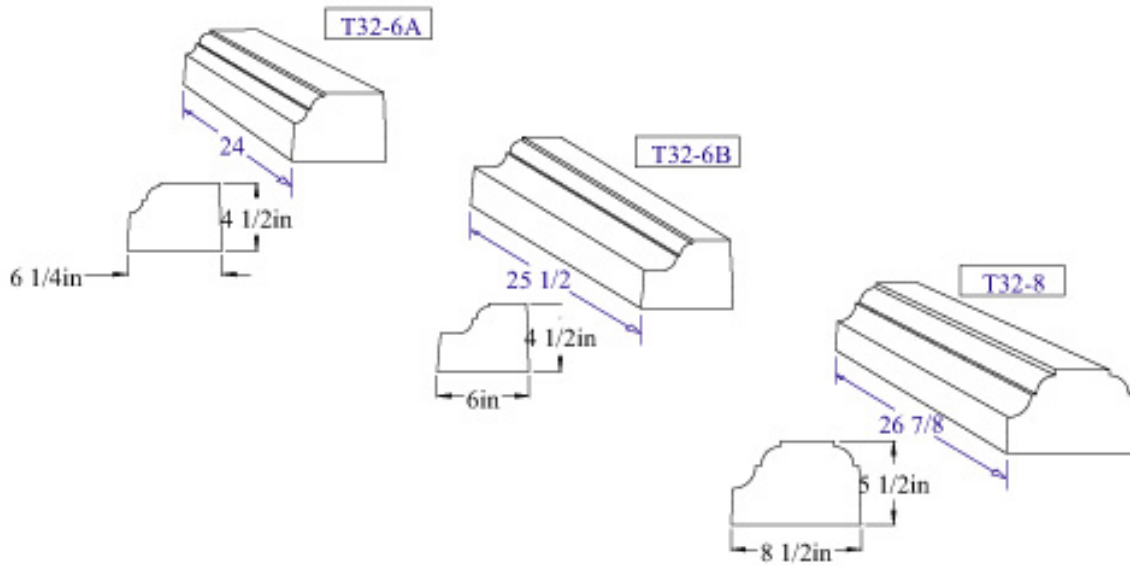
5 - 15



### TRIM & MOLDING

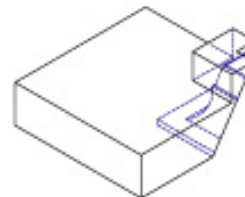
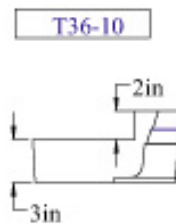
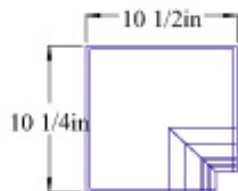
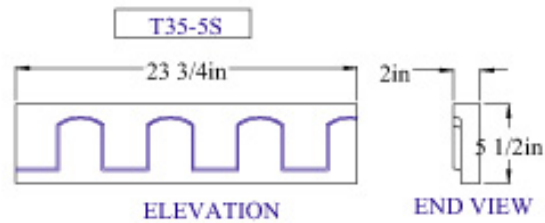
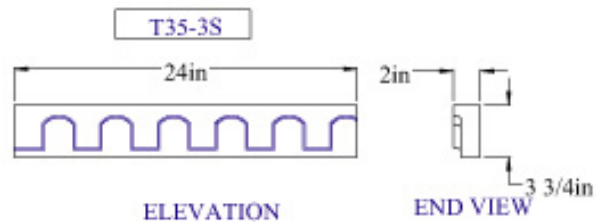
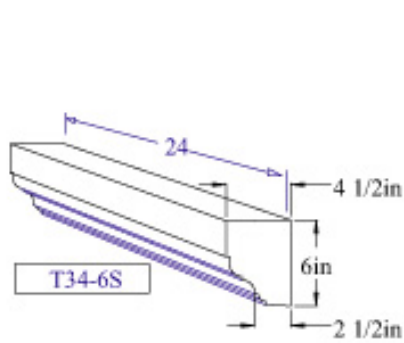
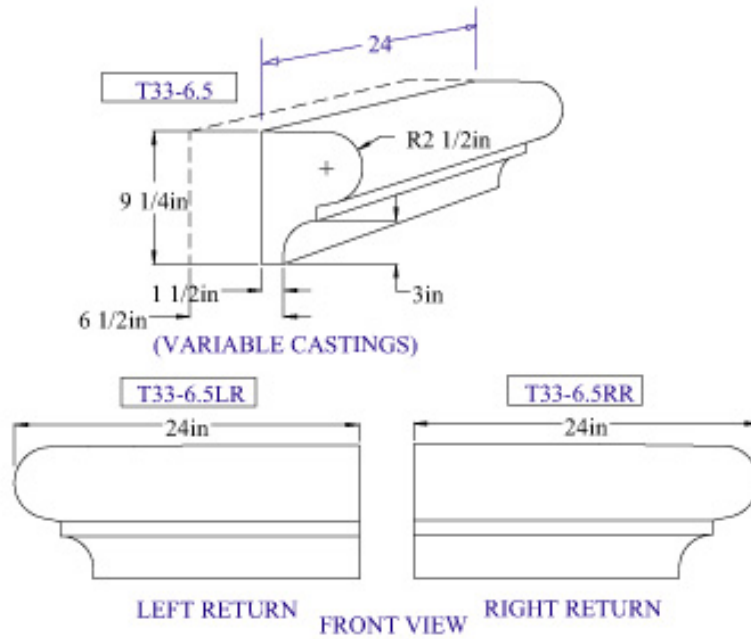


**TRIM & MOLDING**



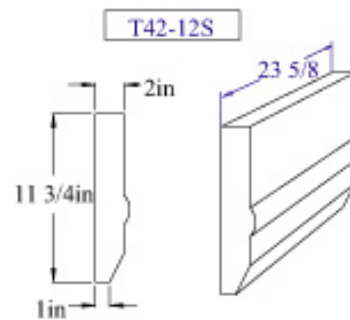
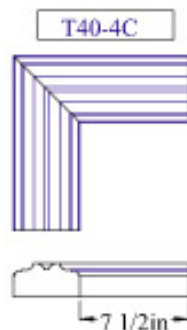
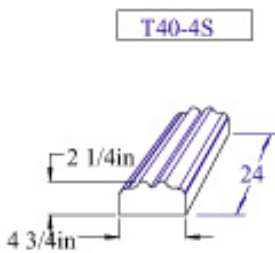
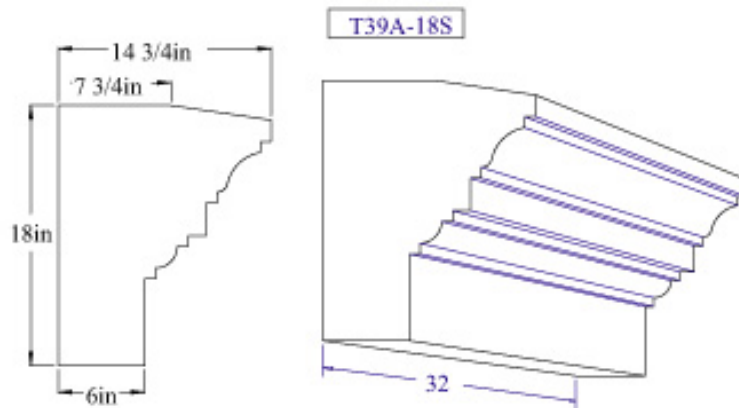
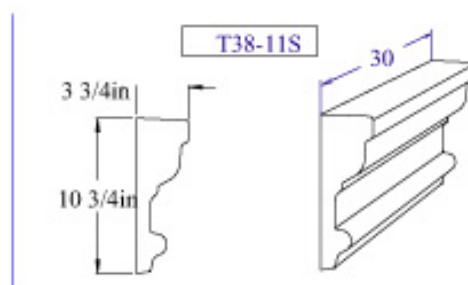
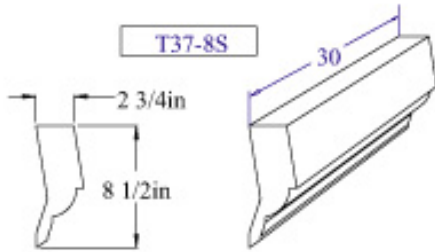
5 - 17

### TRIM & MOLDING

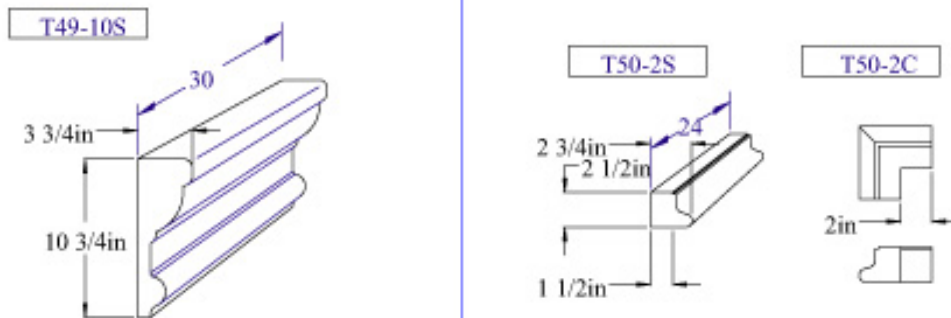
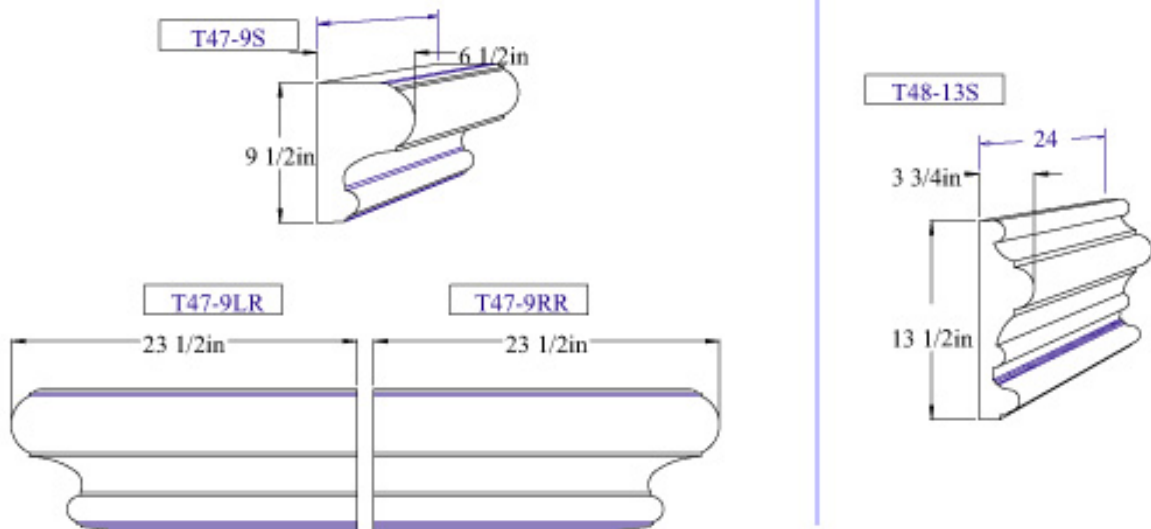
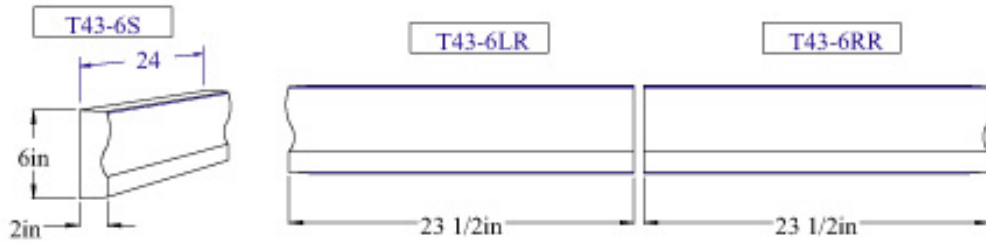


5 - 18

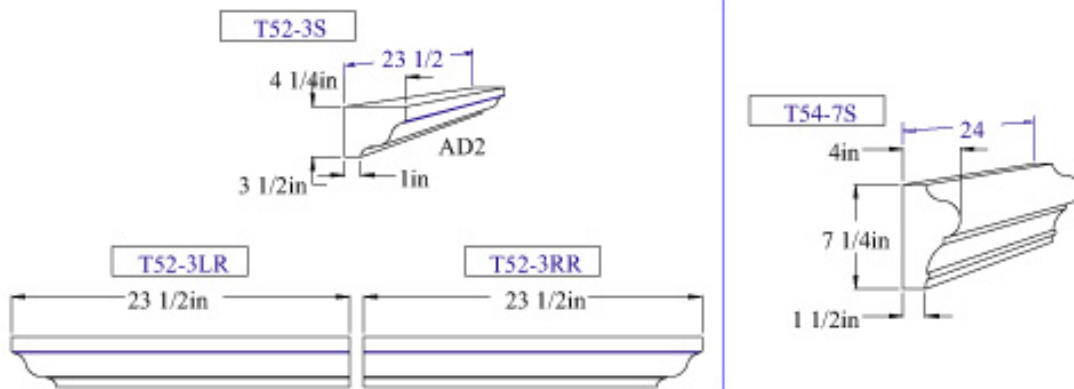
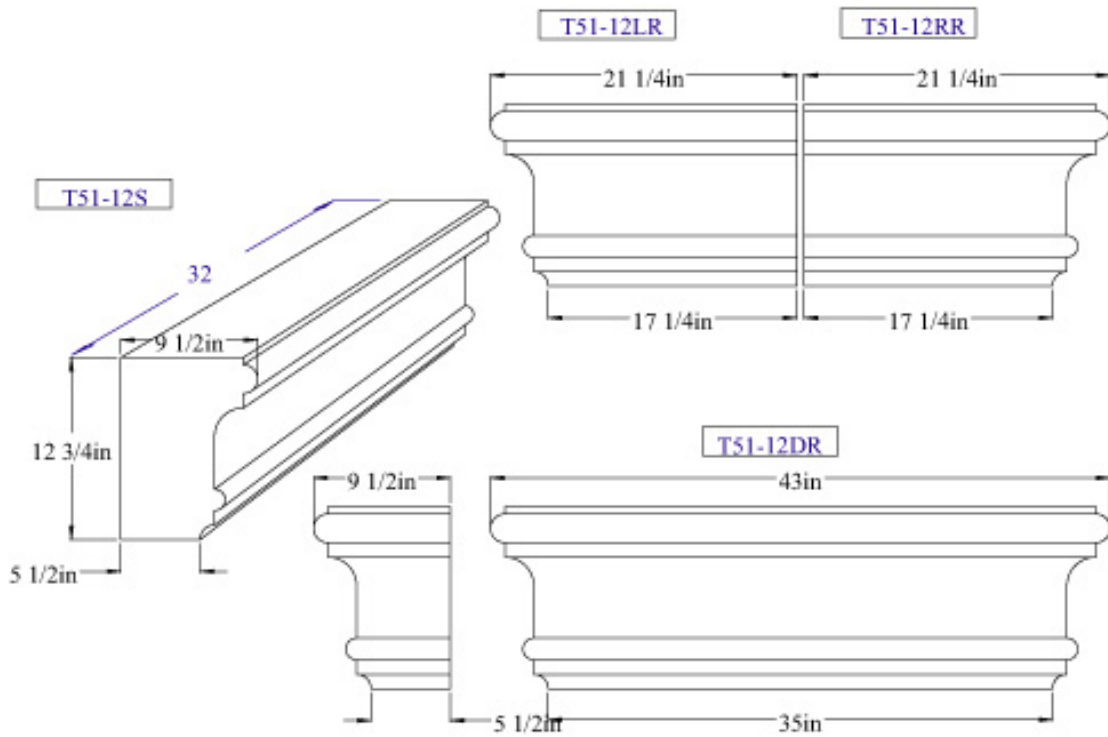
TRIM & MOLDING



### TRIM & MOLDING

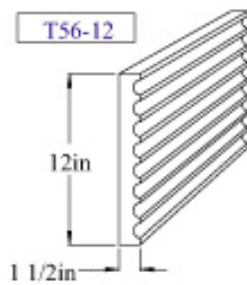
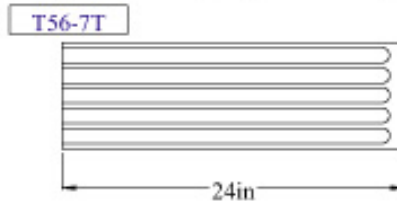
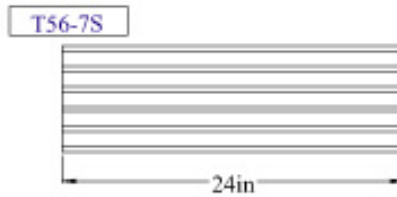
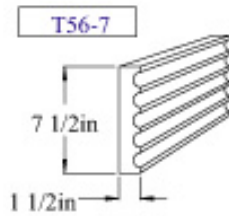
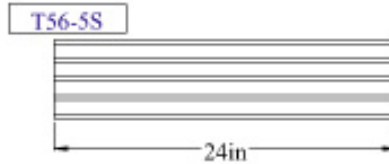
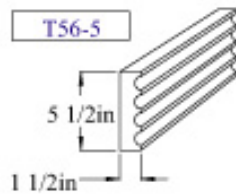


TRIM & MOLDING

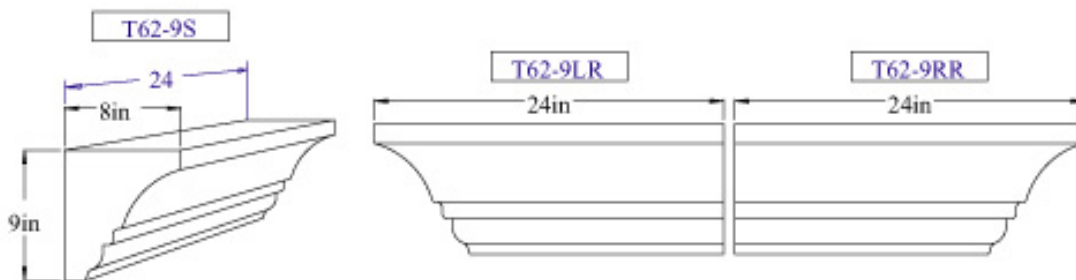
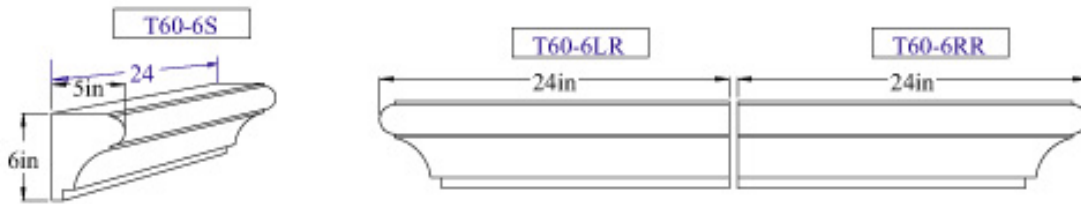
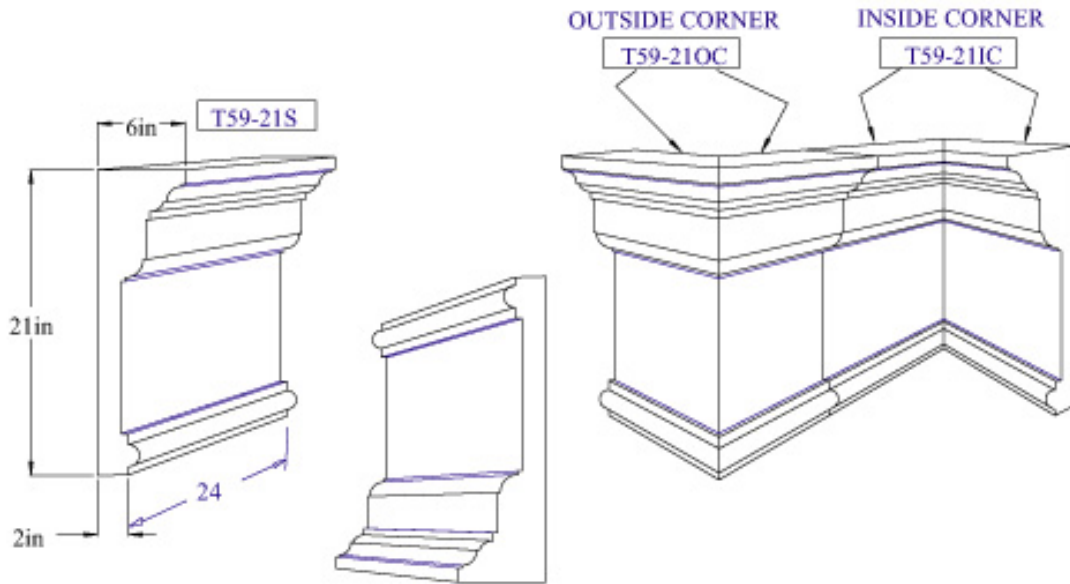




**TRIM & MOLDING**



TRIM & MOLDING



## KEYSTONES, CORBELS, & QUOINS

### SECTION 6

Keystones have evolved into decorative pieces which are set into the head of a window or door. Designs are available which can accommodate both arched and/or post and beam styles.

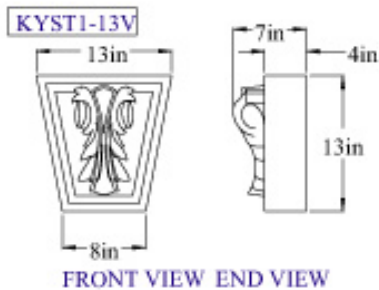
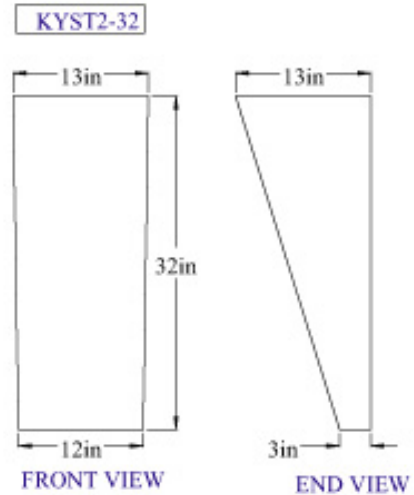
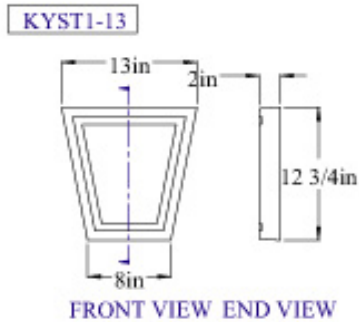
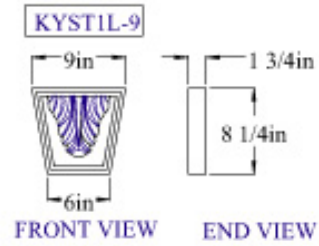
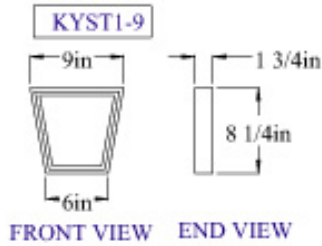


Corbels provide visual support for other architectural elements even though they do not provide structural support.

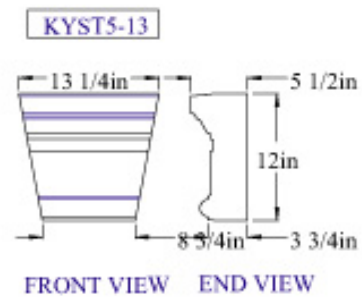
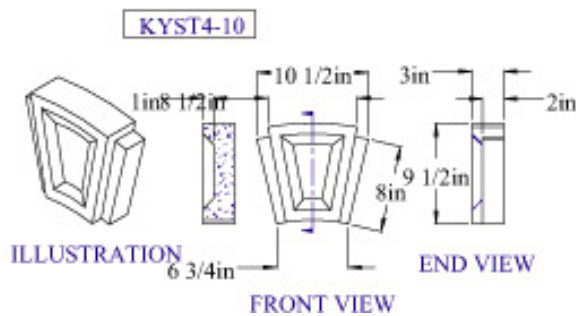
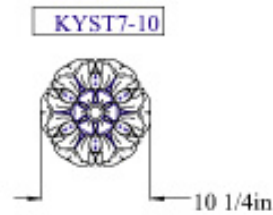
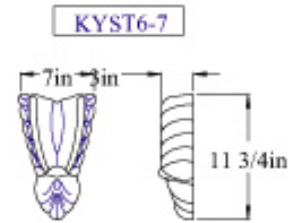
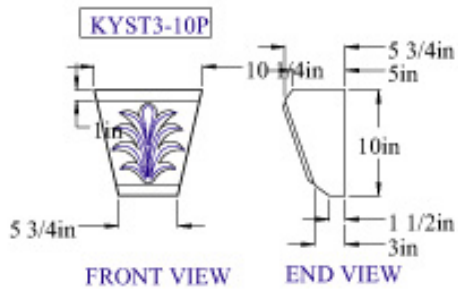
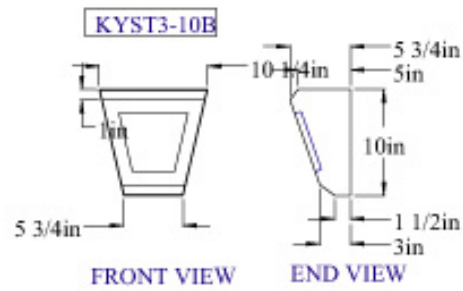
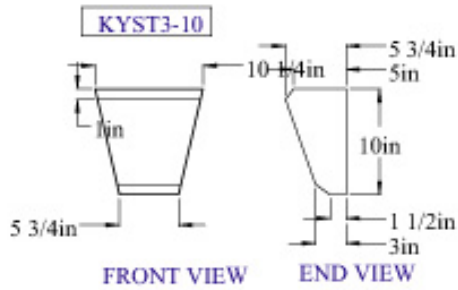
Quoins are available in several sizes however they may be produced by the use of cladding.

Lite Stone Concrete has in-house designers who welcome the opportunity to create custom styles in order to meet your specific design requirements. Custom styles are provided on a special order basis.

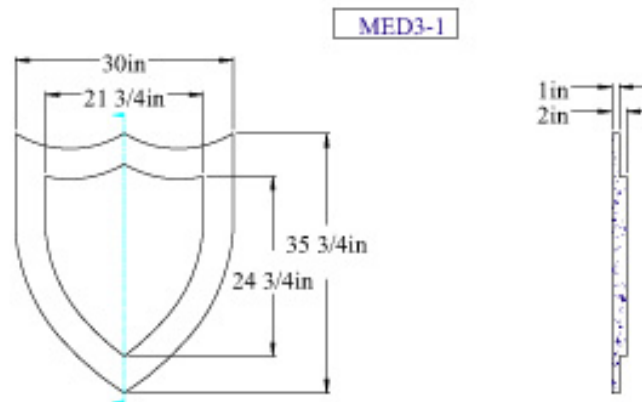
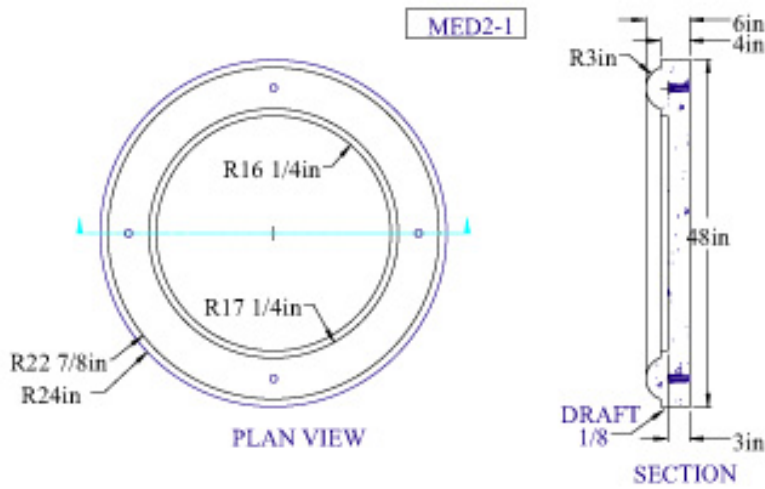
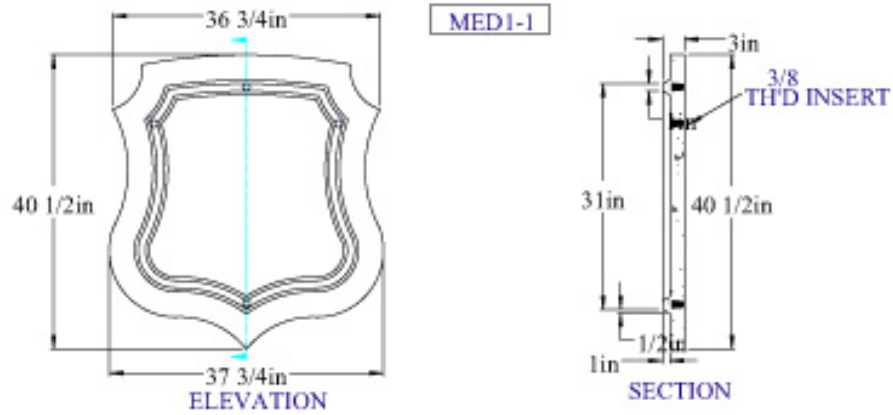
### KEYSTONE



### KEYSTONES



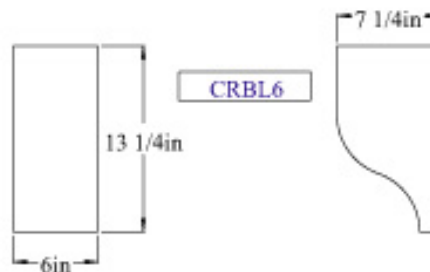
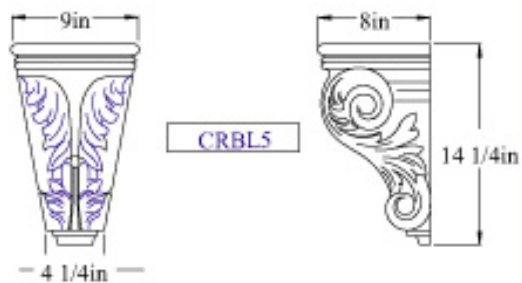
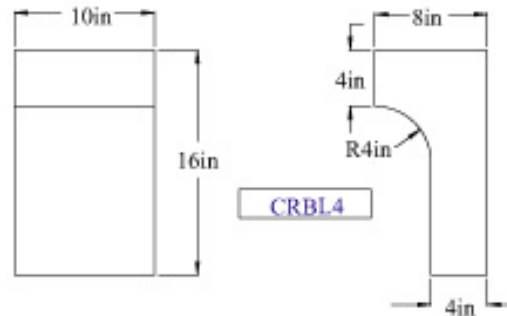
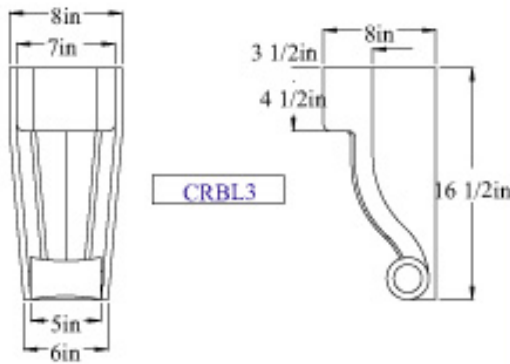
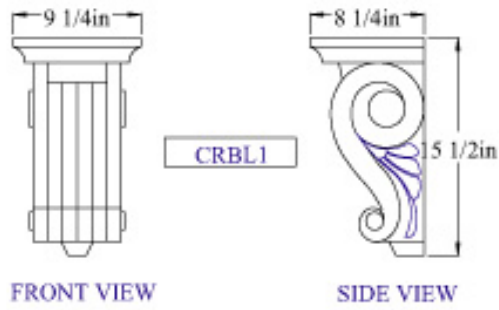
**MEDALLIONS**



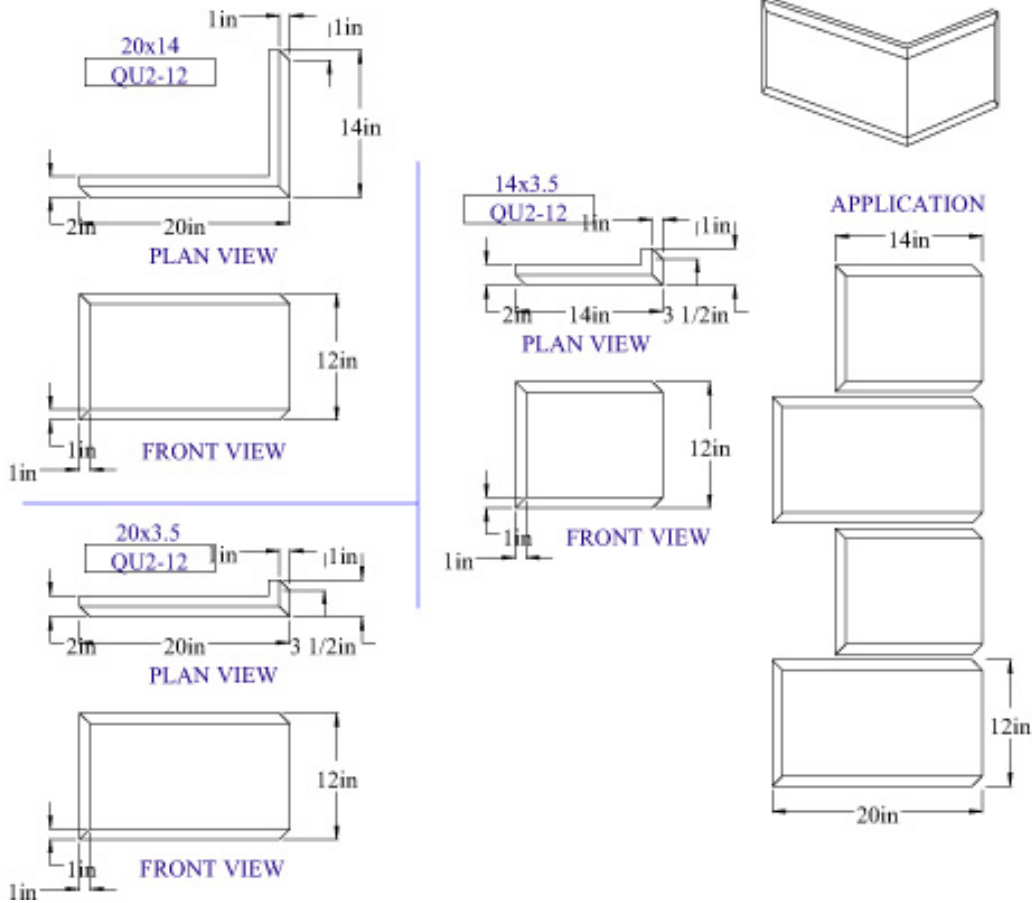
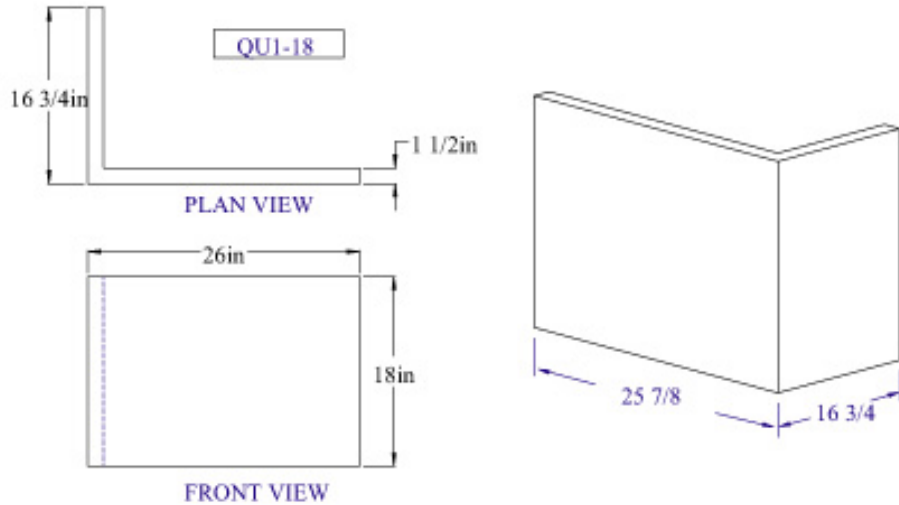
6 - 3



**CORBELS**



### QUOINS



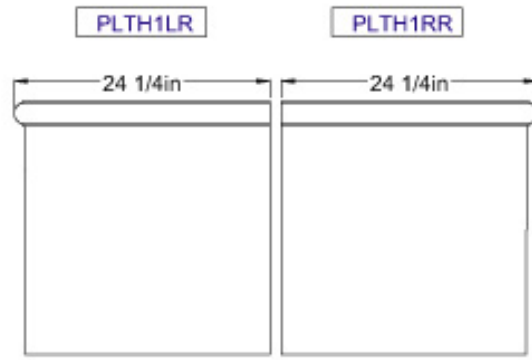
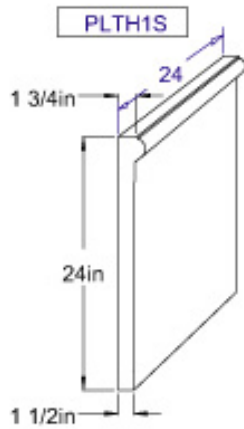
PLINTHS

SECTION 7

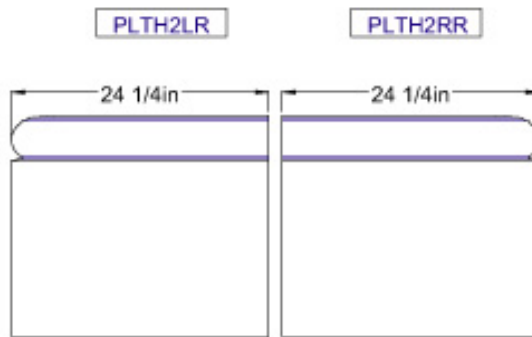
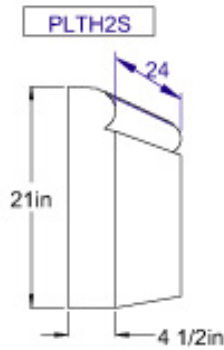


Originally, the plinth stone was a continuous course of stone which supported a given wall. On occasion, plinth stones are still utilized as structural members however they generally serve as decorative pieces which only provide the appearance of support at the exterior base of a wall. Plinth stones are sometimes incorrectly referred to as “wainscoting”. A “wainscot” is the term used for an exterior piece which is applied against the base of the wall and which usually extends at least 30 inches upward from the surface of the deck.

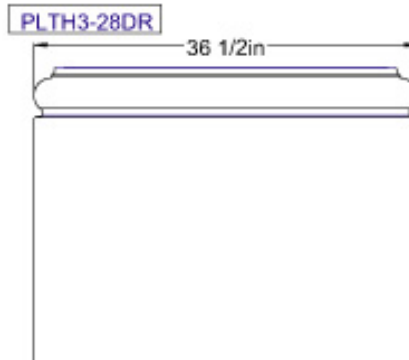
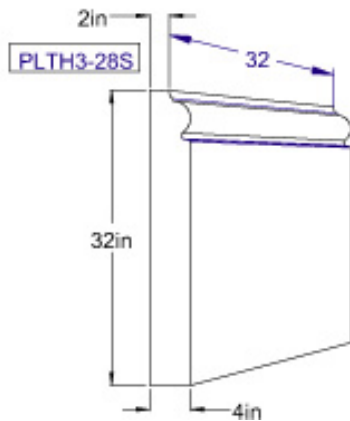
PLINTHS



LEFT & RIGHT RETURNS



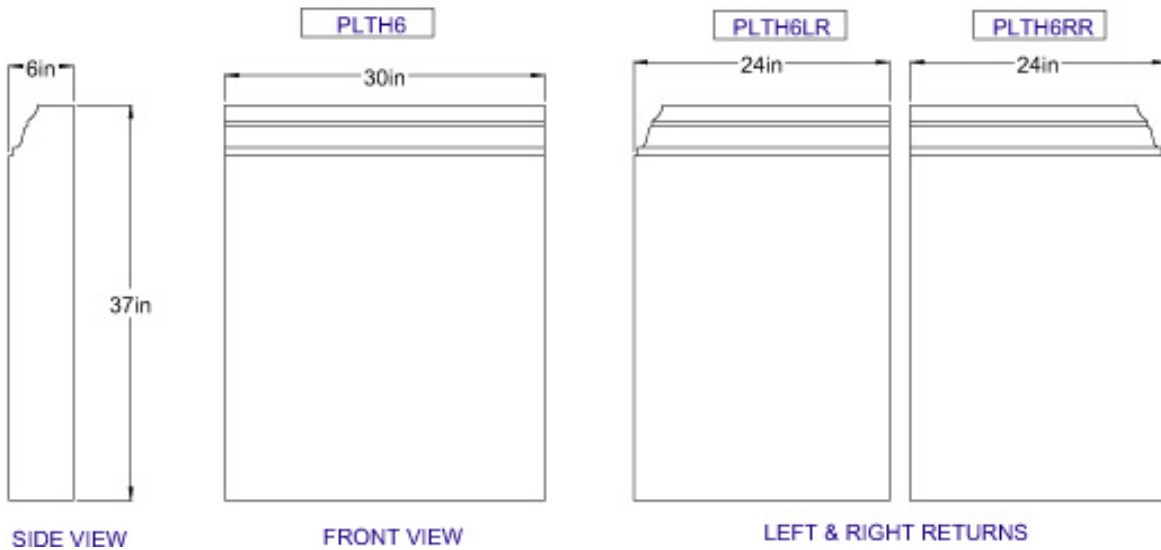
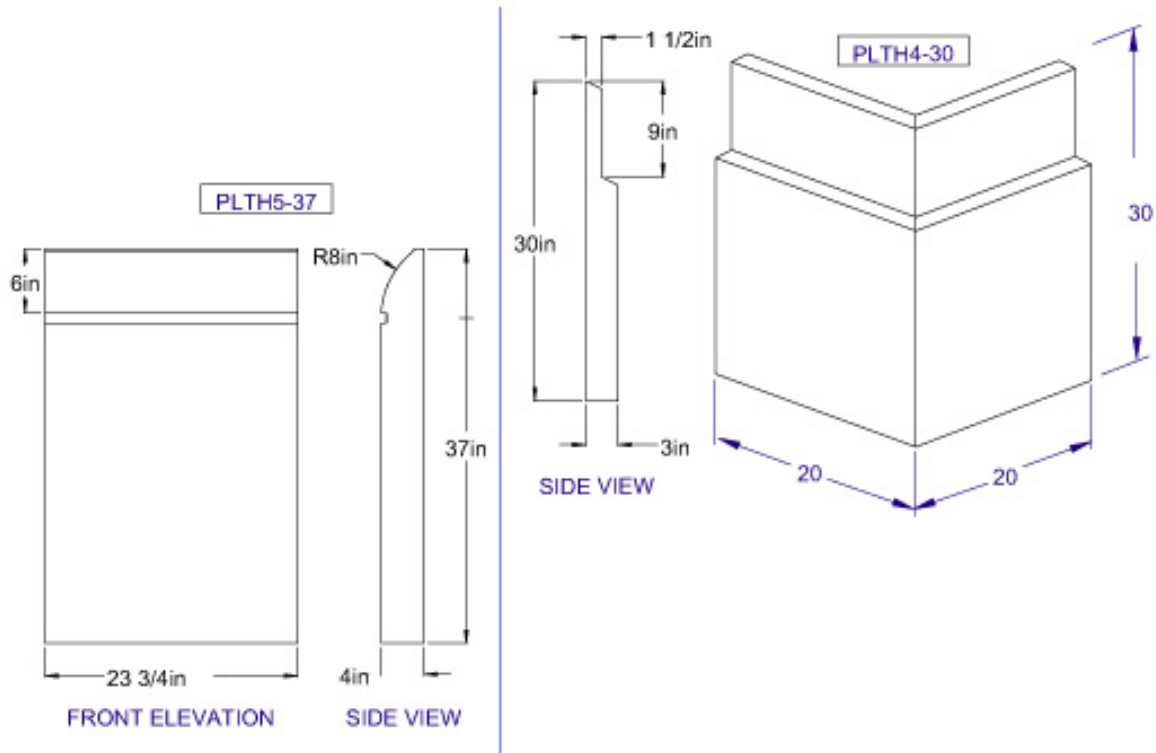
LEFT & RIGHT RETURNS



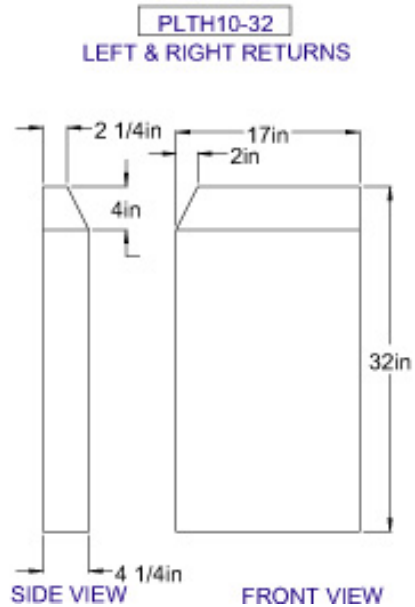
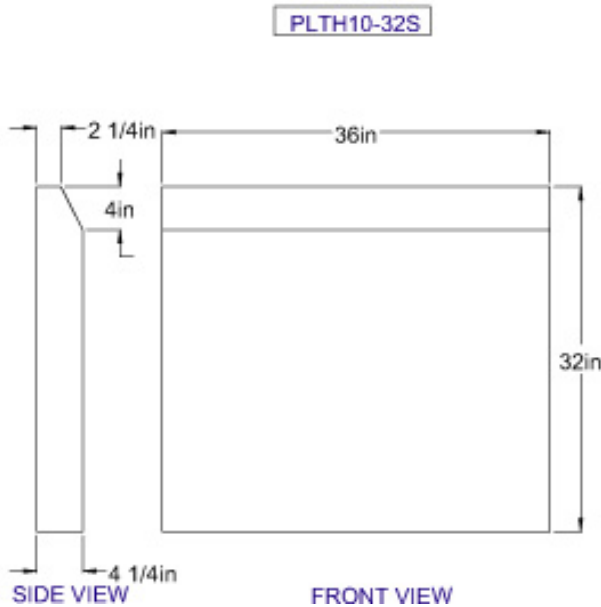
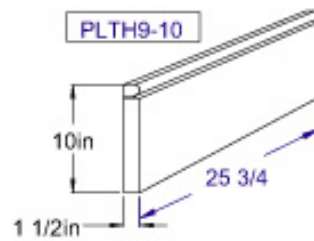
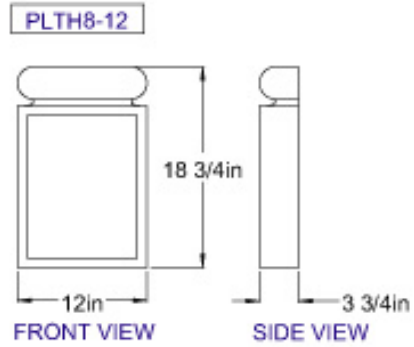
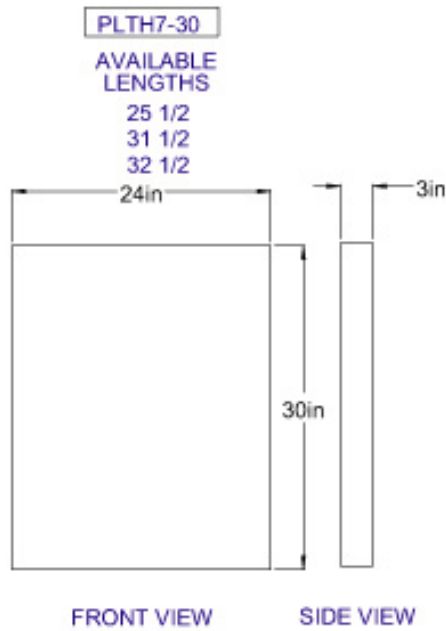
FRONT VIEW

7 - 1

PLINTHS

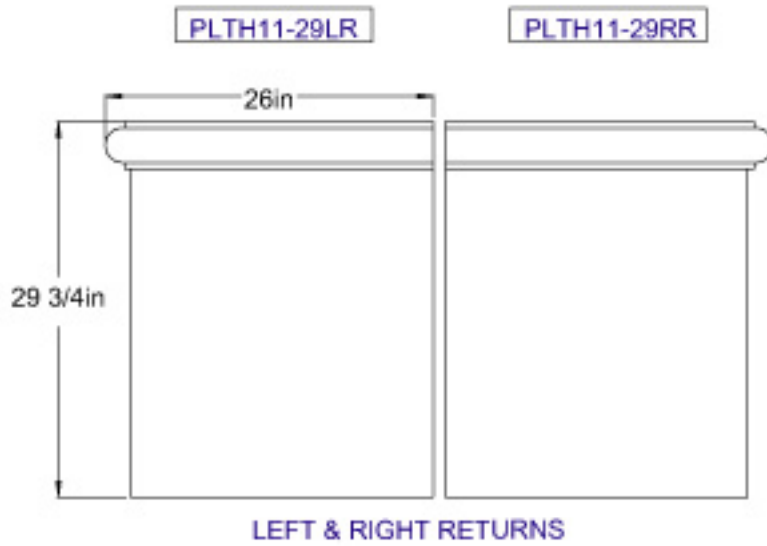
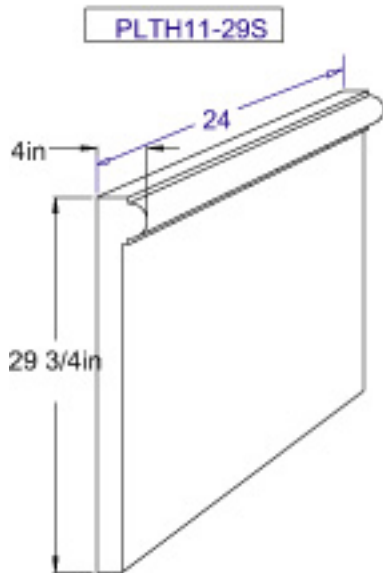


### PLINTHS



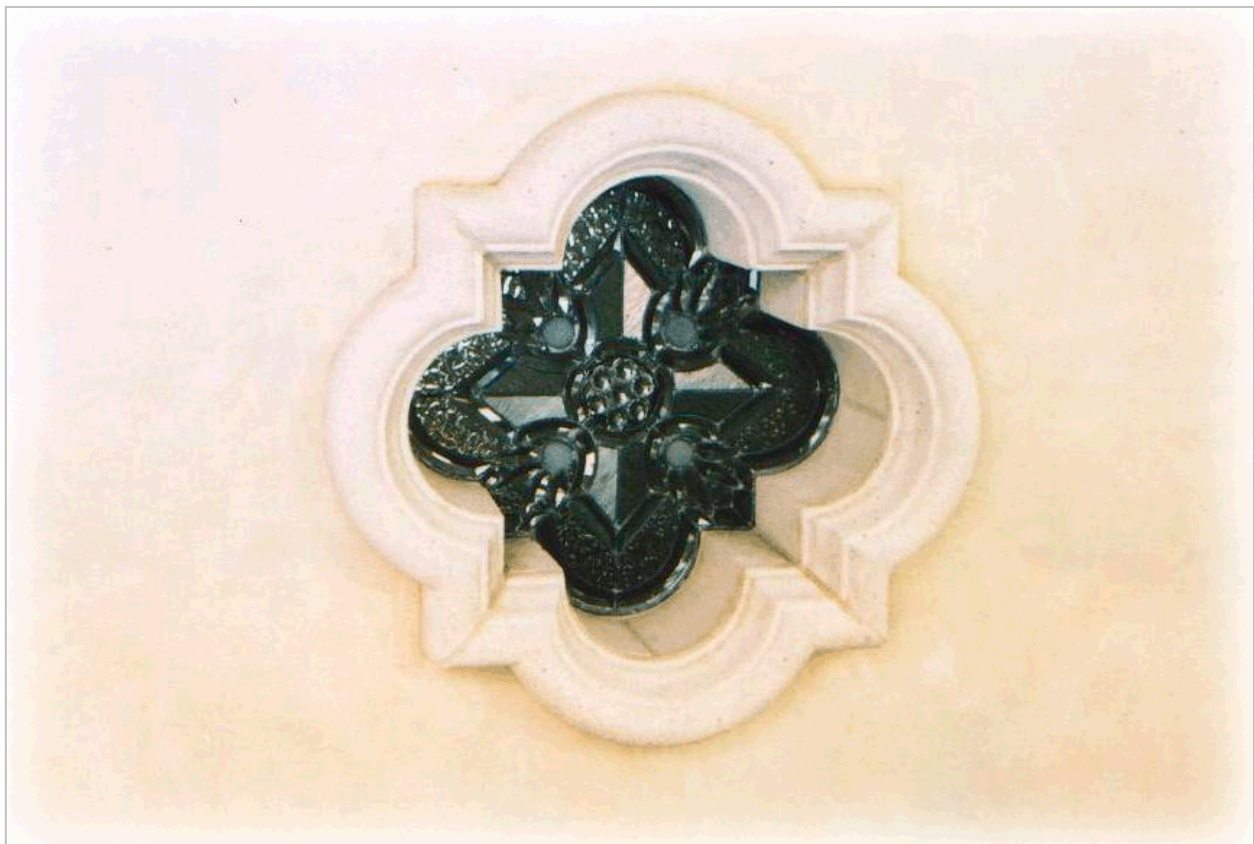


PLINTHS



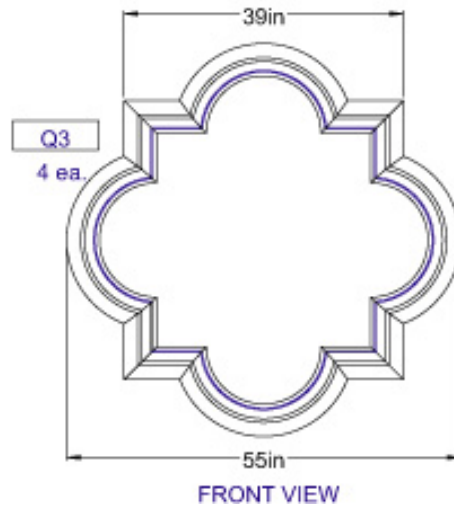
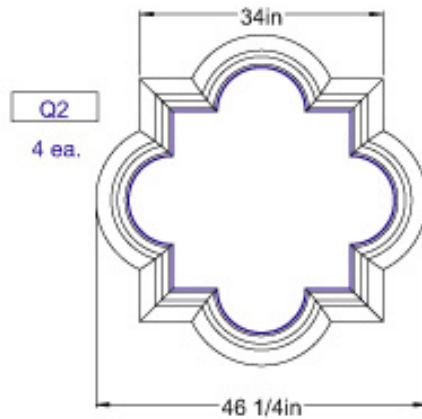
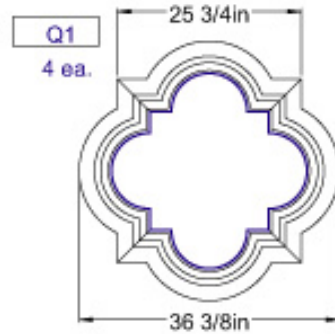
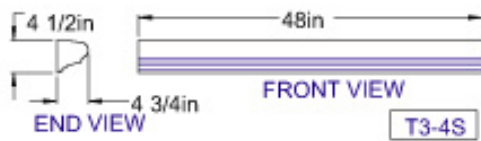
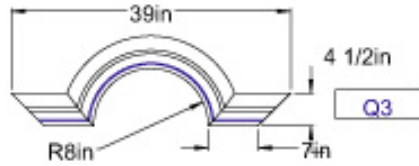
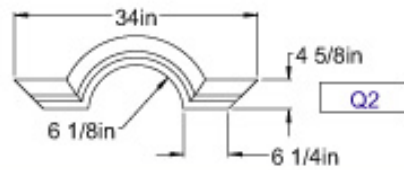
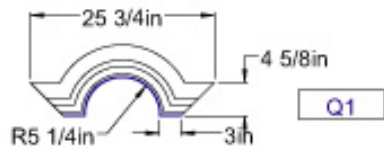
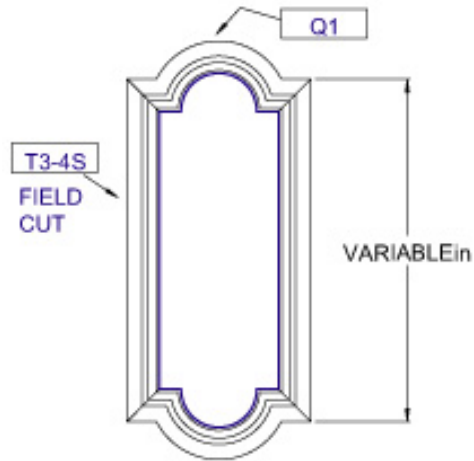
7 - 4

QUATREFOILS  
SECTION 8

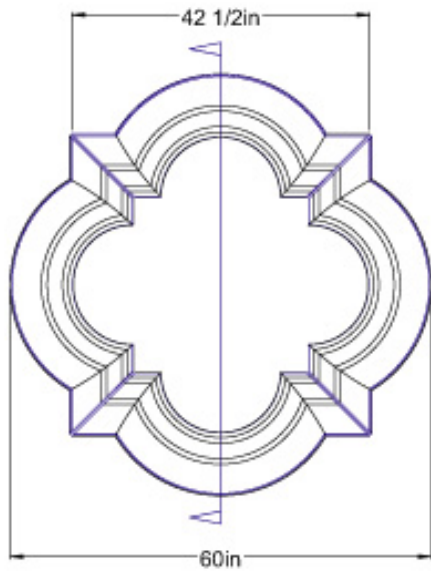


“Quatre” (meaning four) combined with “foil” (meaning leaf) is a geometric design consisting of an arc projecting from each side of a square or rectangle. This shape is often used in architecture and is frequently seen in the Middle East. It is particularly complimentary when used in fountains and window designs.

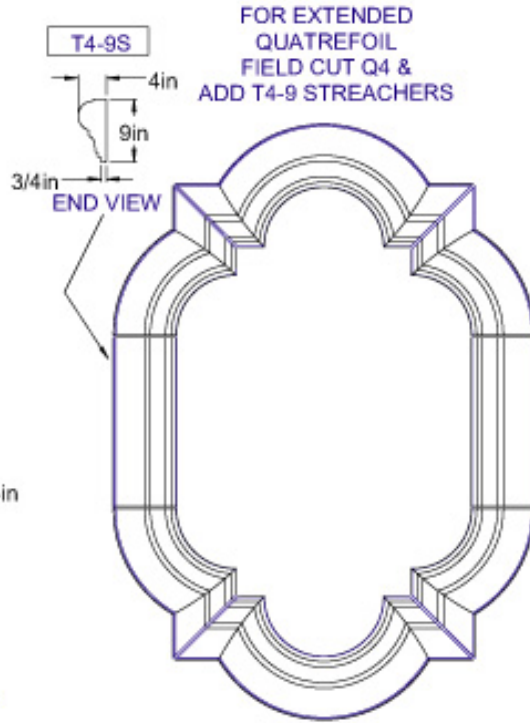
**QUATREFOILS**



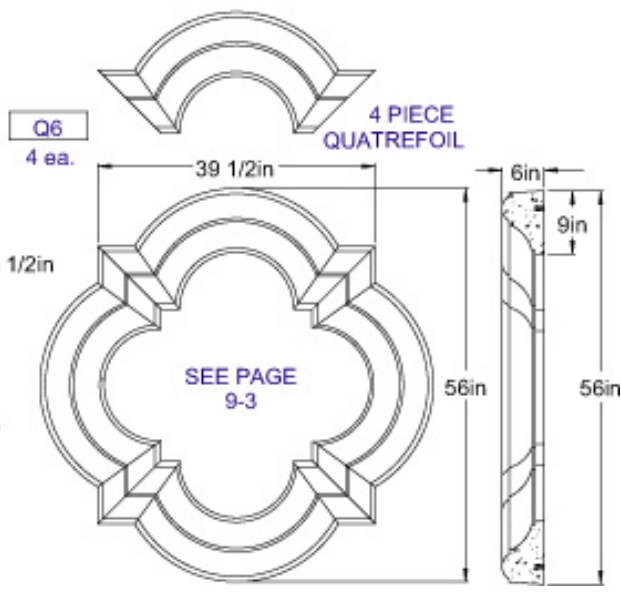
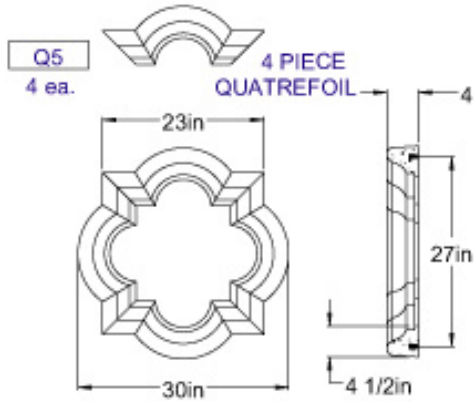
**QUATREFOILS**



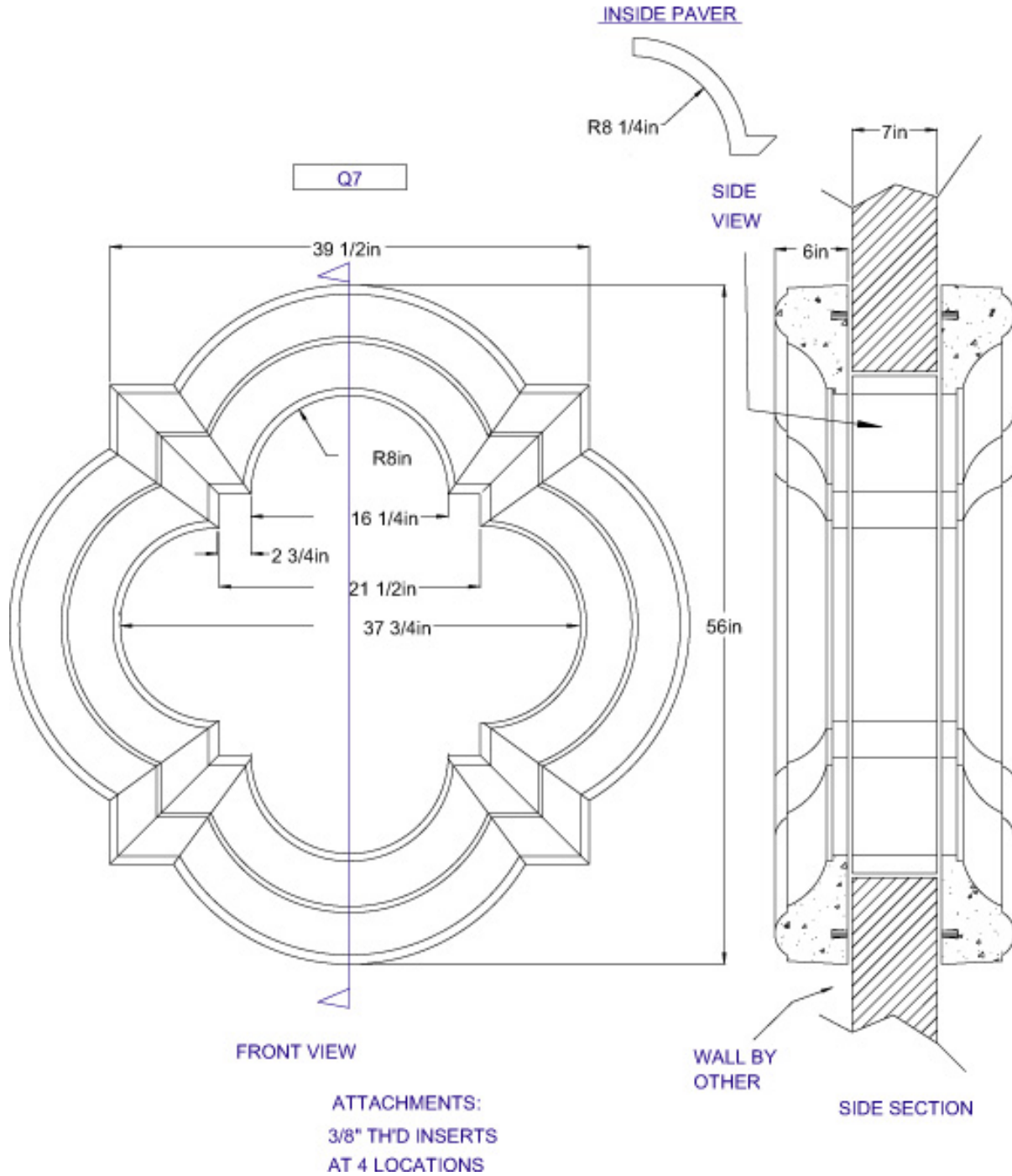
FRONT VIEW



FRONT VIEW



**QUATREFOILS**



8 - 3



**SILLS**  
**SECTION 9**

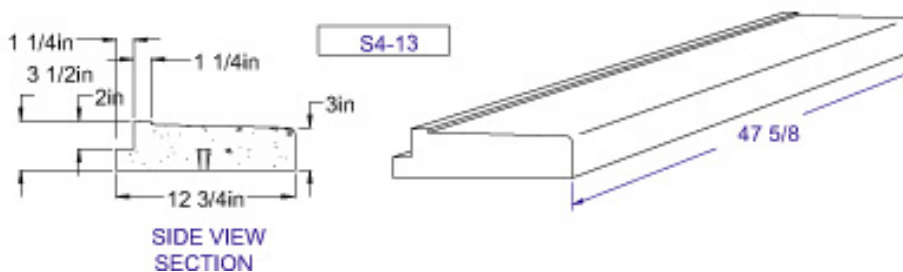
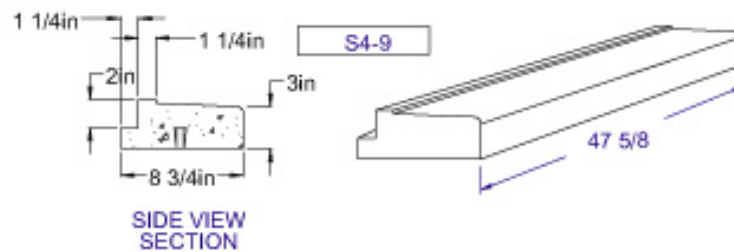
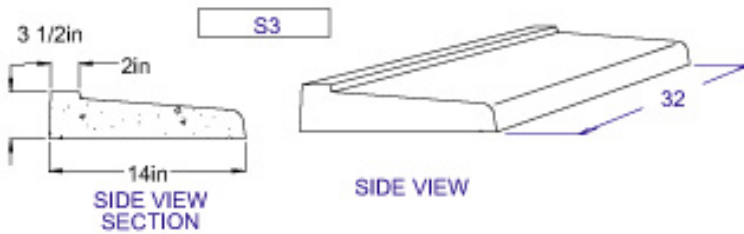
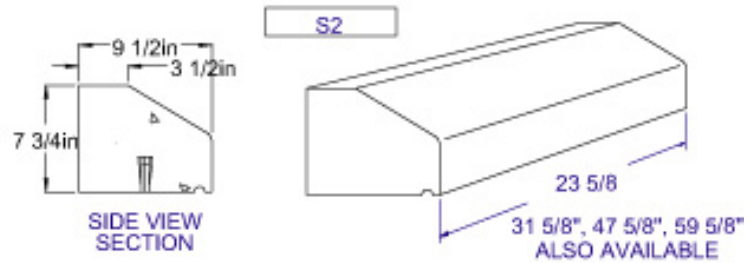
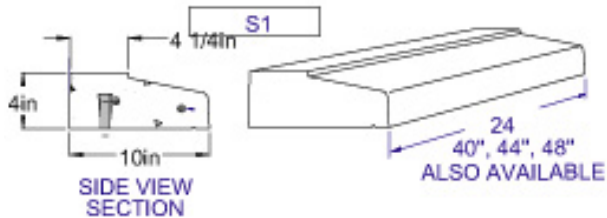


Sills and windowsill surrounds can be formed by using any of the Lite Stone Concrete Trim and Molding varieties. These parts may be affixed to the outside of a given window opening. This section deals with full sills, which are, windowsills which extend through the wall, and upon which the glazing frame is placed. There are a number of standard sill types and sizes which are available. Custom sills can be fabricated in order to meet your specific requirements.

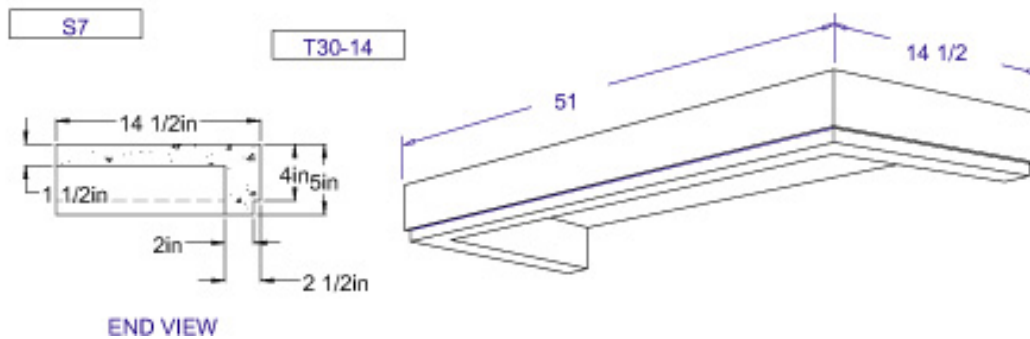
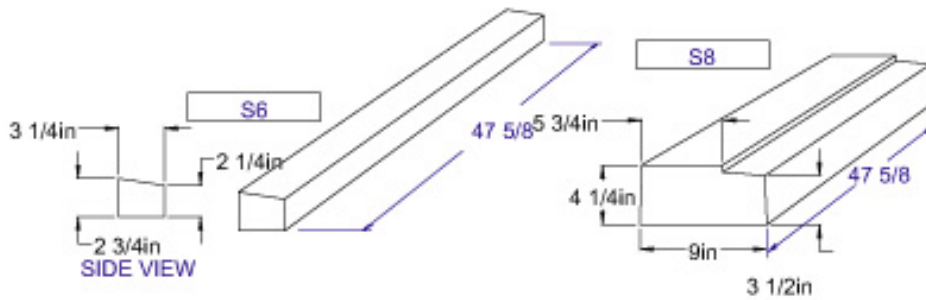
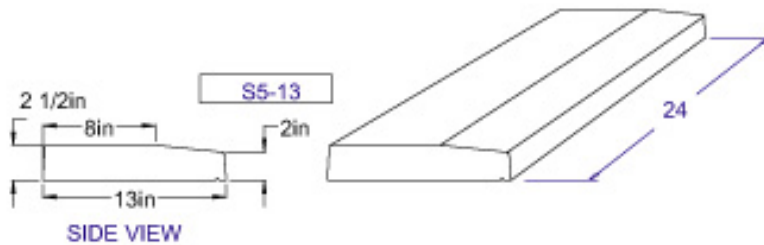
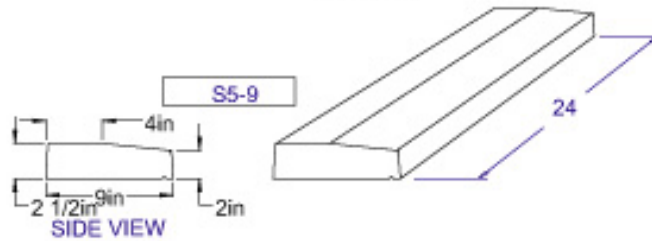


### SILLS

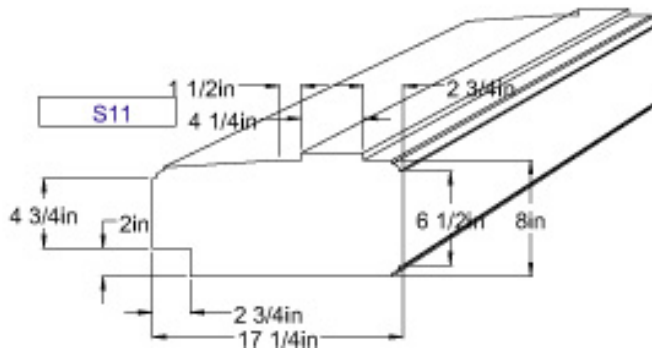
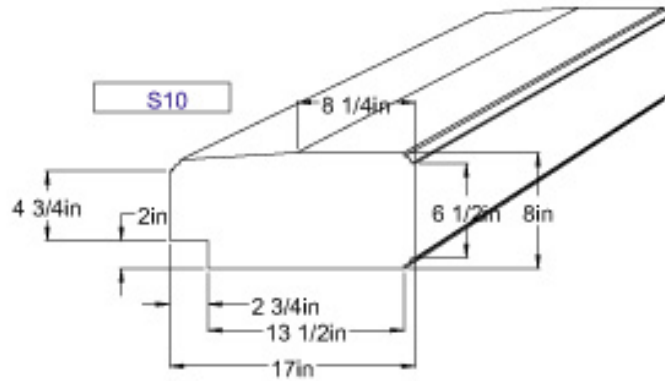
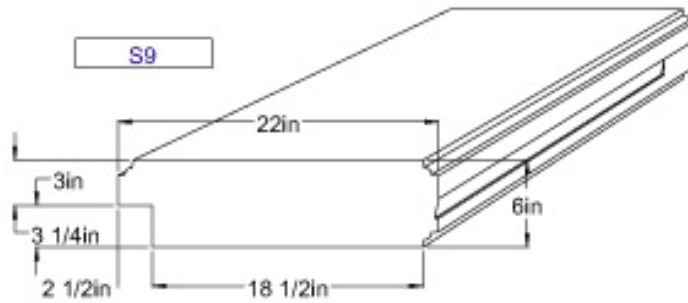
PRECAST CONCRETE  
WINDOW SILLS FOR  
8-8-16 CMU CONSTRUCTION



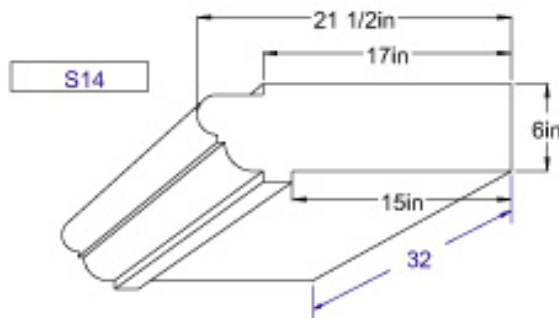
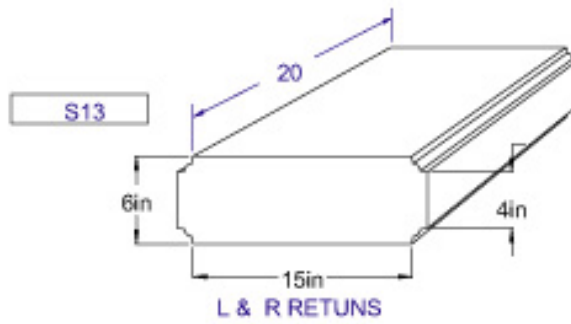
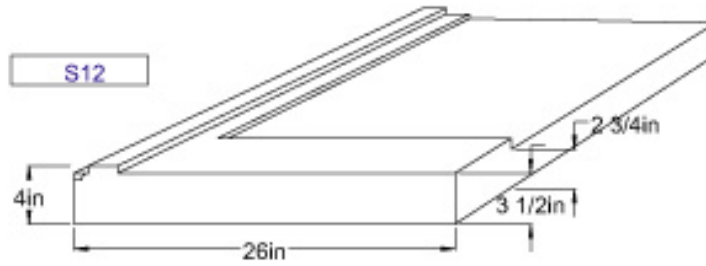
### SILLS



**SILLS**



**SILLS**



**9 - 4**

## FIREPLACE SURROUNDS

### SECTION 10

Lite Stone Concrete offers a wide selection of fireplace surrounds. Our “one piece” surrounds are pre-sized in order to fit and meet the dimensional requirements of “standard zero clearance” metal fire boxes.

In addition, numerous fireplace surrounds are offered in various designs which incorporate adjustable leg heights and mantel lengths. These design and dimension variations enable us to accommodate diverse masonry fireplace opening sizes and site specific conditions.

**It is important** to consider, and include, the height dimension of the hearth detail when measuring for the final fireplace surround and/or when making the mantel size selection.

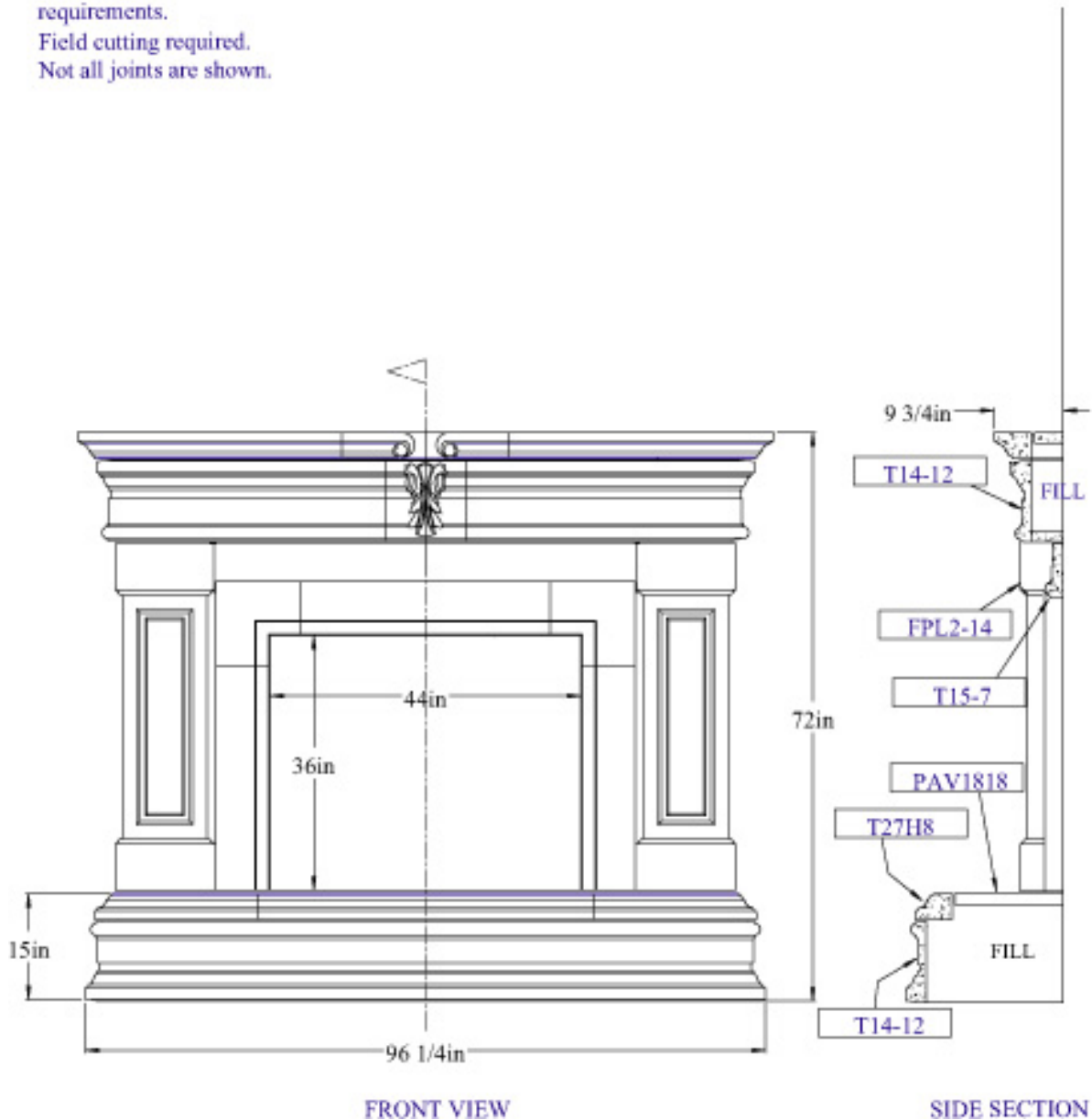


Lite Stone Concrete welcomes the opportunity to assist you in creating custom styles in order to meet your design requirements

### #1 FIREPLACE SURROUND

#### Typical Installation

Dimensions shown are for illustration purposes only. Most measurements can be adjusted to meet your requirements.  
Field cutting required.  
Not all joints are shown.



10 - 1

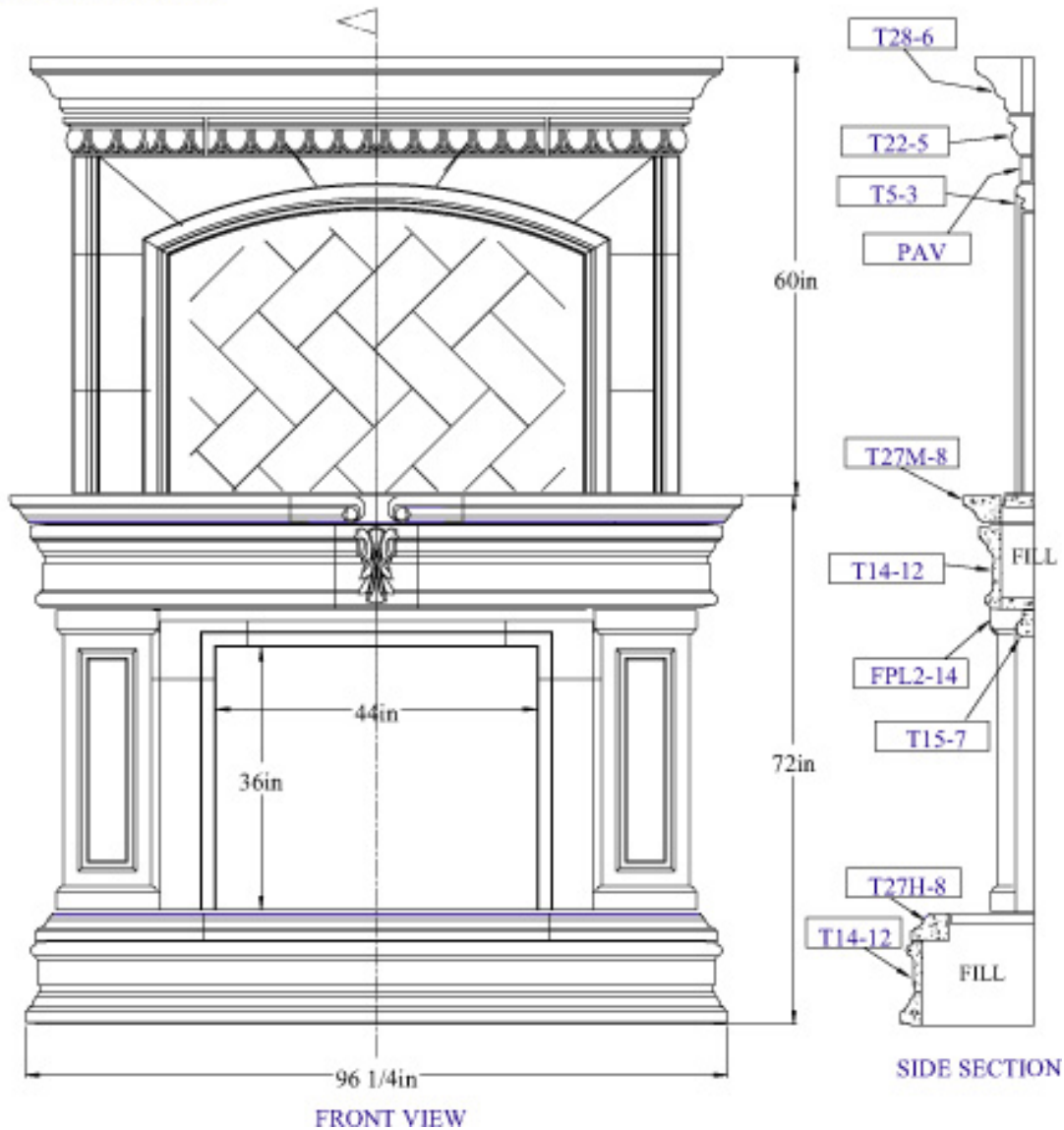


**#2 FIREPLACE SURROUND**

**Typical Installation**

Dimensions shown are for illustration purposes only. Most measurements can be adjusted to meet your requirements.

Field cutting required.  
Not all joints are shown.



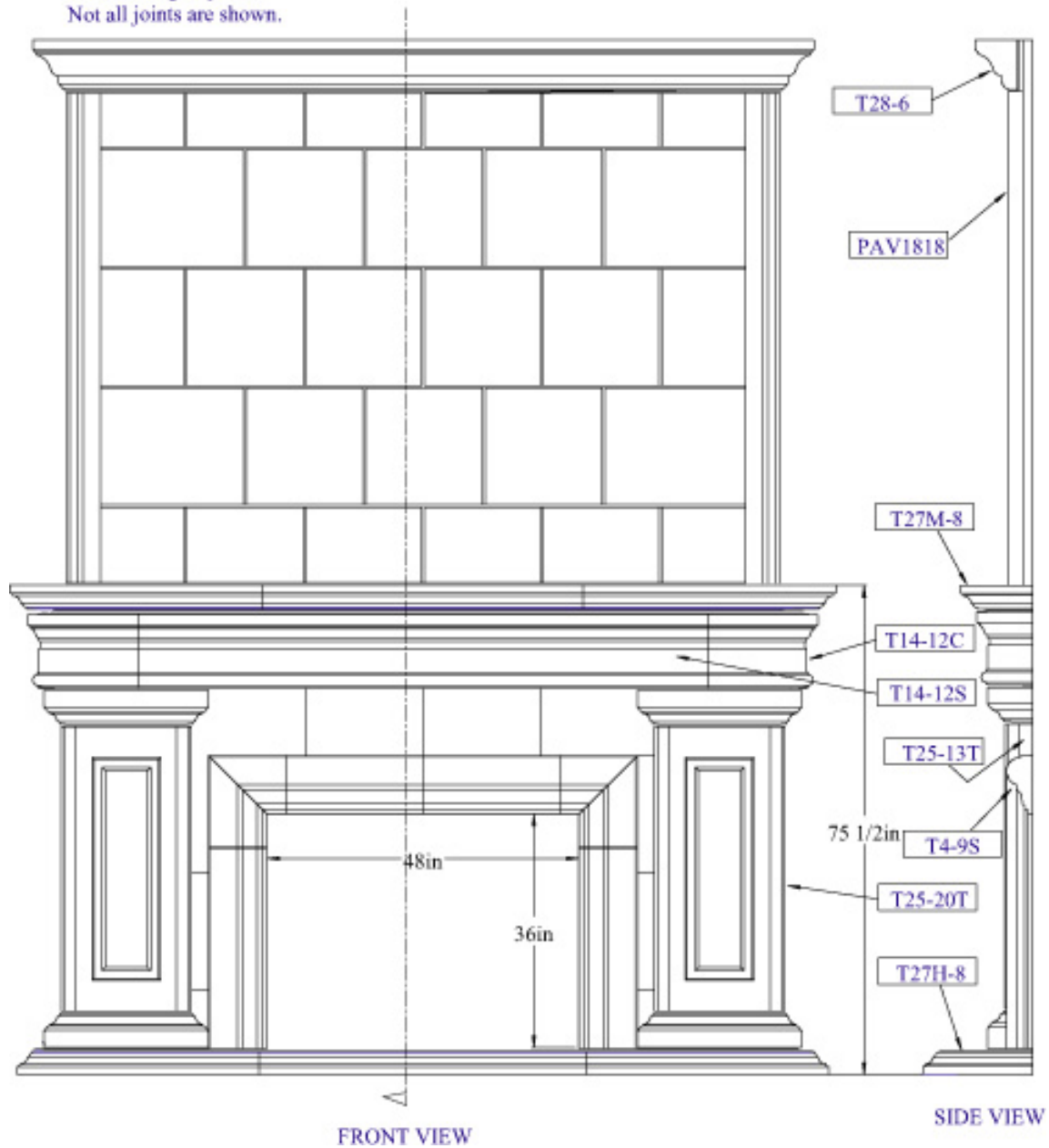
10 - 2

### #3 FIREPLACE SURROUND

#### Typical Installation

Dimensions shown are for illustration purposes only. Most measurements can be adjusted to meet your requirements.

Field cutting required.  
Not all joints are shown.

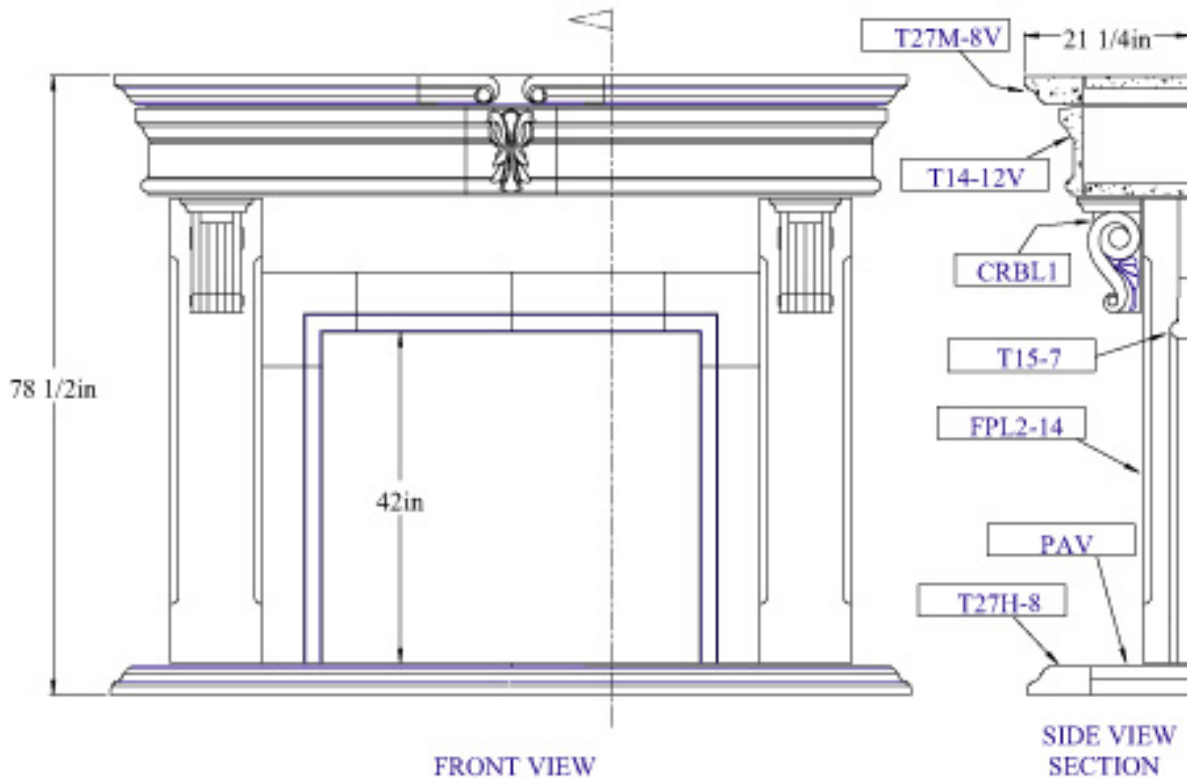


10 - 3

**#4 FIREPLACE  
 SURROUND**

**Typical Installation**

Dimensions shown are for illustration purposes only. Most measurements can be adjusted to meet your requirements.  
 Field cutting required.  
 Not all joints are shown.



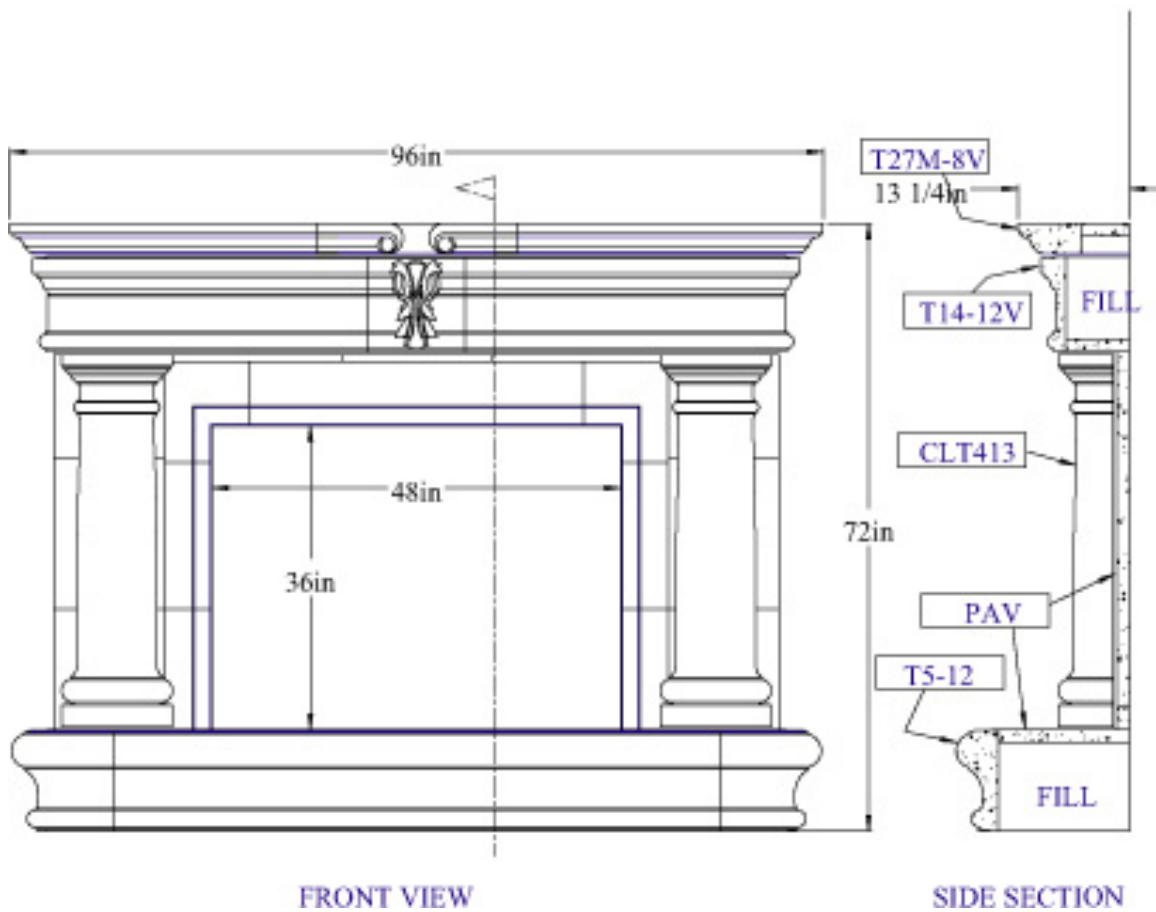
**10 - 4**

**#5 FIREPLACE  
 SURROUND**

**Typical Installation**

Dimensions shown are for illustration purposes only. Most measurements can be adjusted to meet your requirements.

Field cutting required.  
 Not all joints are shown.

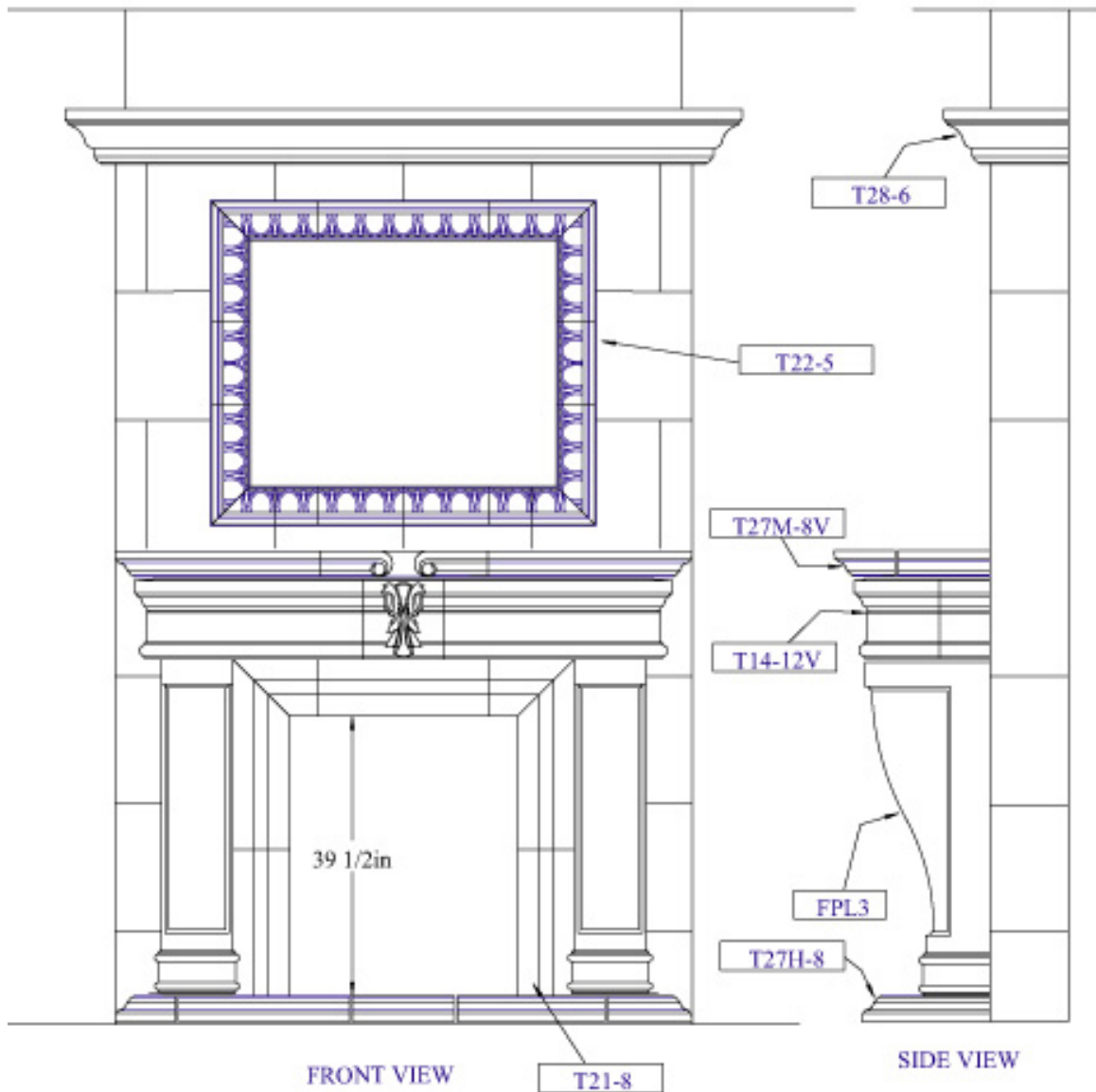


10 - 5

**#6 FIREPLACE SURROUND**

**Typical Installation**

Dimensions shown are for illustration purposes only. Most measurements can be adjusted to meet your requirements.  
 Field cutting required.  
 Not all joints are shown.

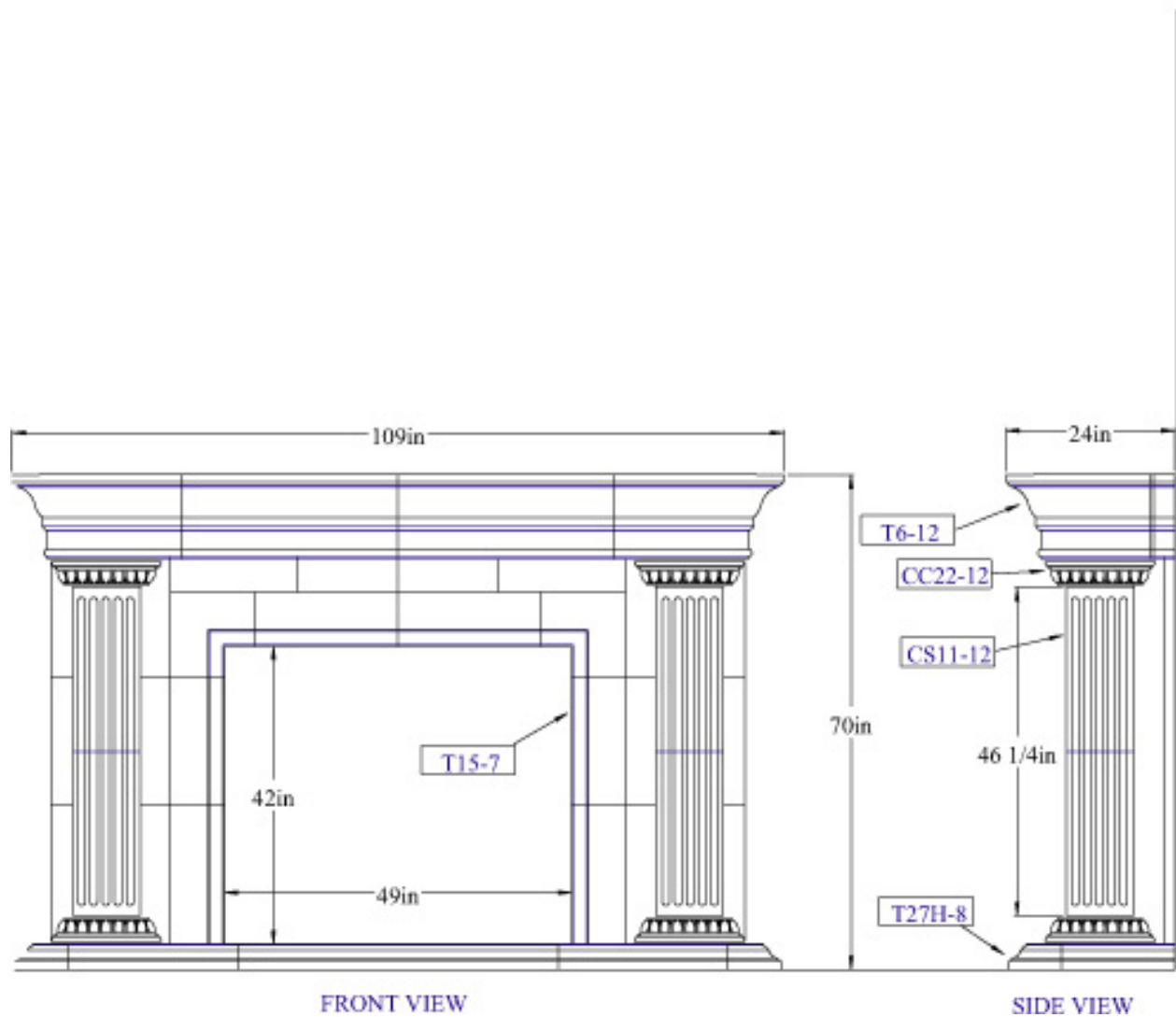


**10 - 6**

**#7 FIREPLACE  
 SURROUND**

**Typical Installation**

Dimensions shown are for illustration purposes only. Most measurements can be adjusted to meet your requirements.  
 Field cutting required.  
 Not all joints are shown.



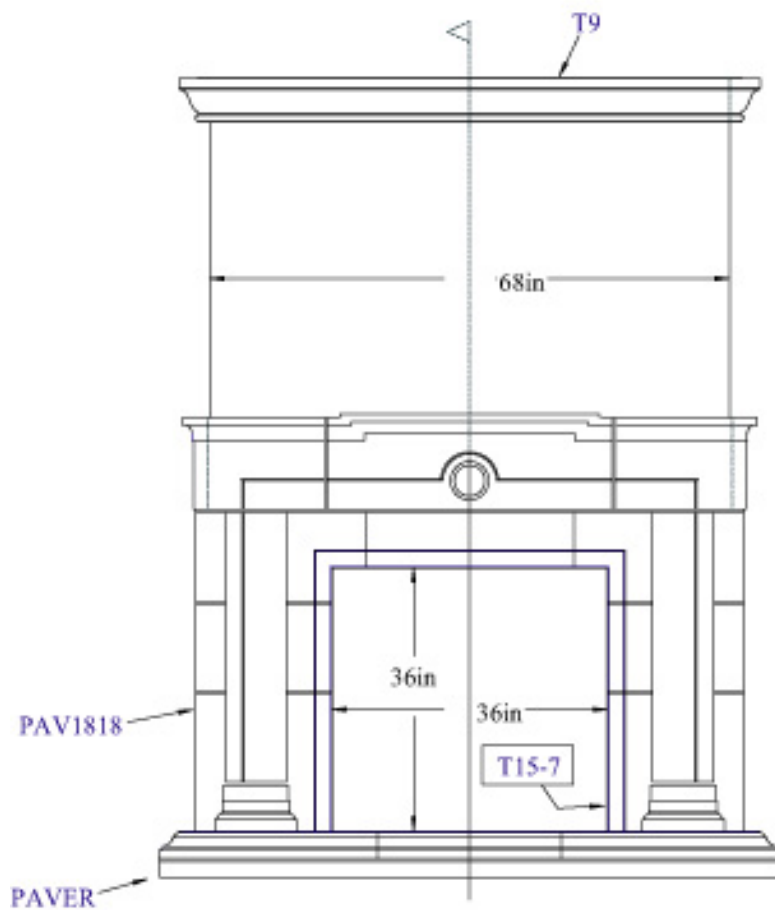
10 - 7



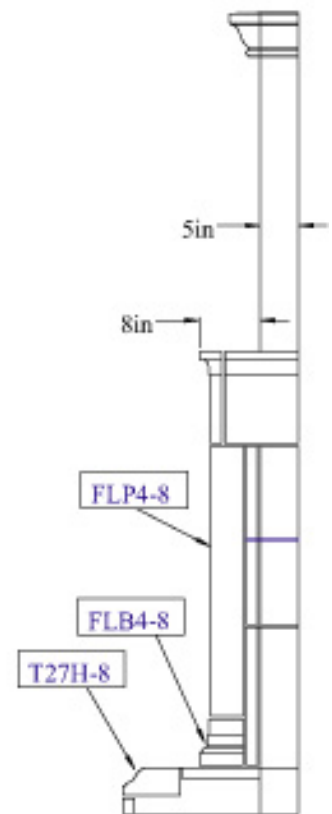
**#8 FIREPLACE  
 SURROUND**

**Typical Installation**

Dimensions shown are for illustration purposes only. Most measurements can be adjusted to meet your requirements.  
 Field cutting required.  
 Not all joints are shown.



FRONT VIEW



SIDE VIEW

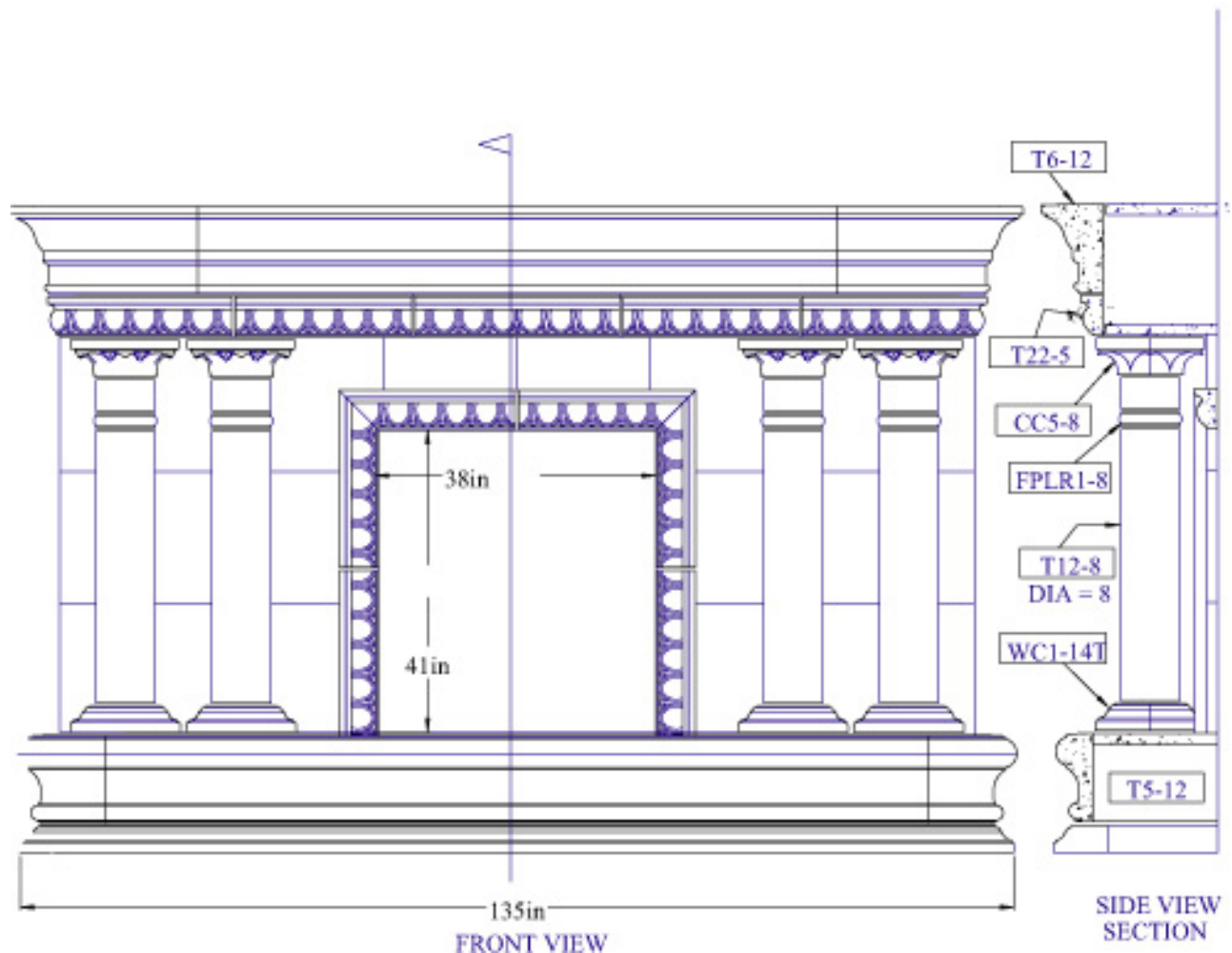
10 - 8

**#9 FIREPLACE  
 SURROUND**

**Typical Installation**

Dimensions shown are for illustration purposes only. Most measurements can be adjusted to meet your requirements.

Field cutting required.  
 Not all joints are shown.



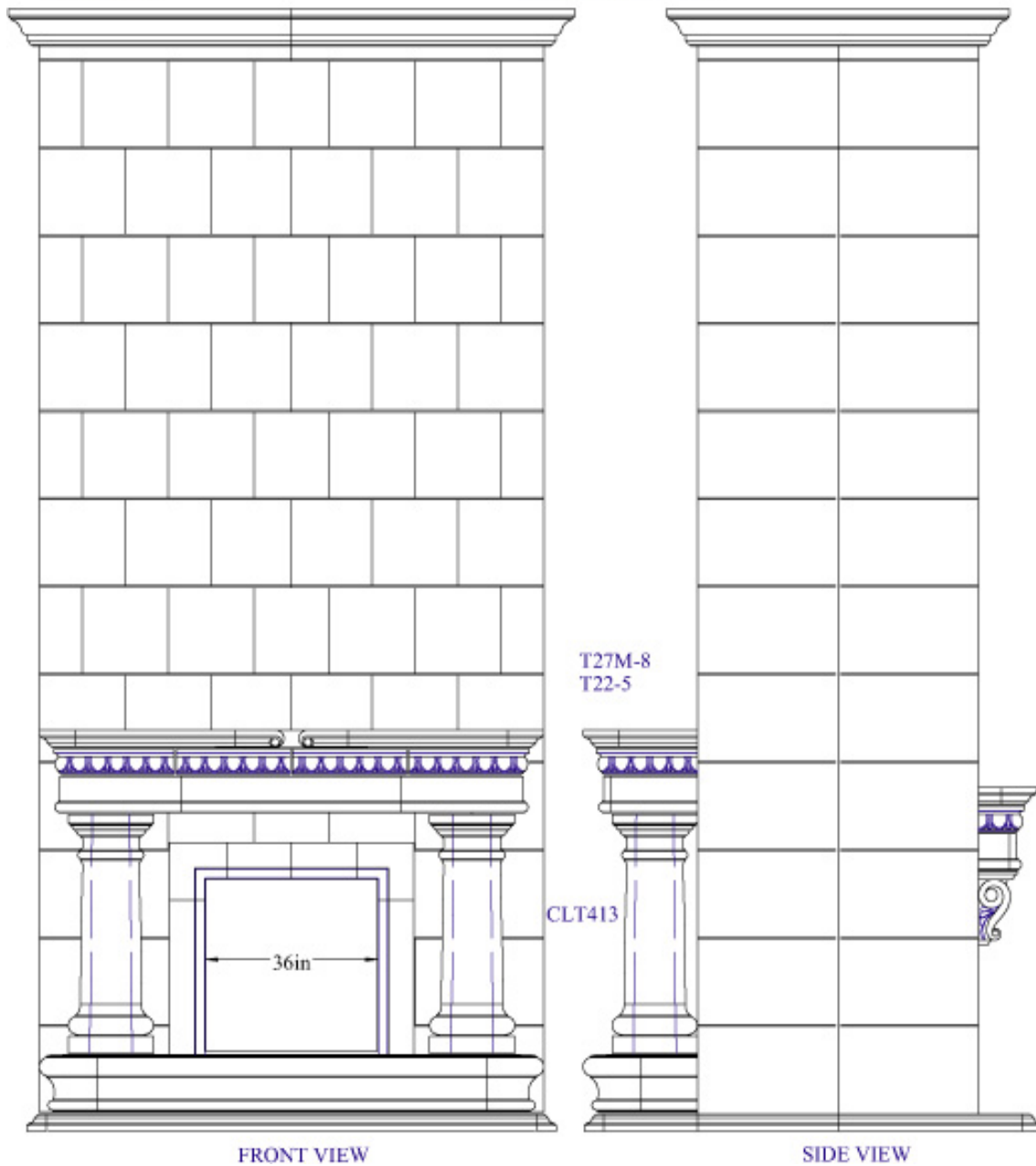
**10 - 9**

**#10 FIREPLACE  
 SURROUND**

**Typical Installation**

Dimensions shown are for illustration purposes only. Most measurements can be adjusted to meet your requirements

NOTE: Not all mortar joints shown  
 Field cutting required.

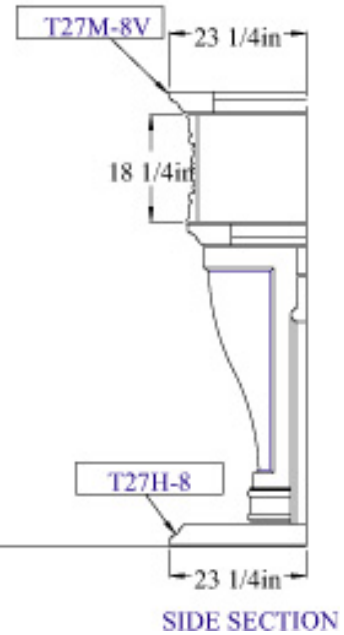
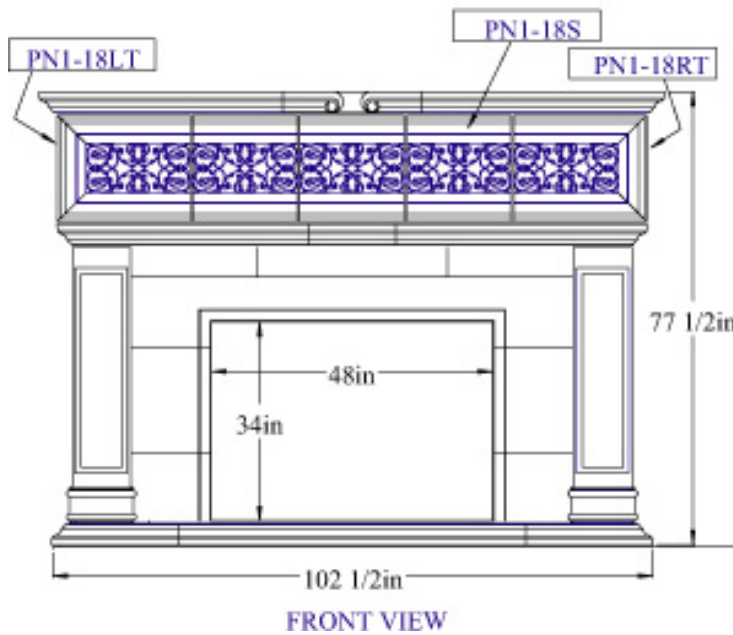
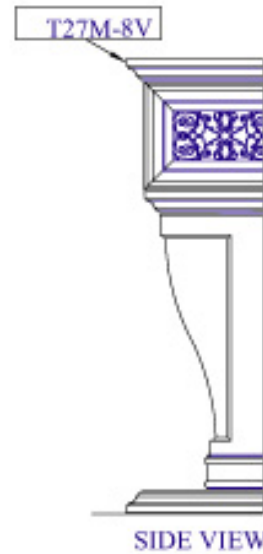


**10 - 10**

**#11 FIREPLACE  
SURROUND**

**Typical Installation**

Dimensions shown are for illustration purposes only. Most measurements can be adjusted to meet your requirements.  
Field cutting required.  
Not all joints are shown.



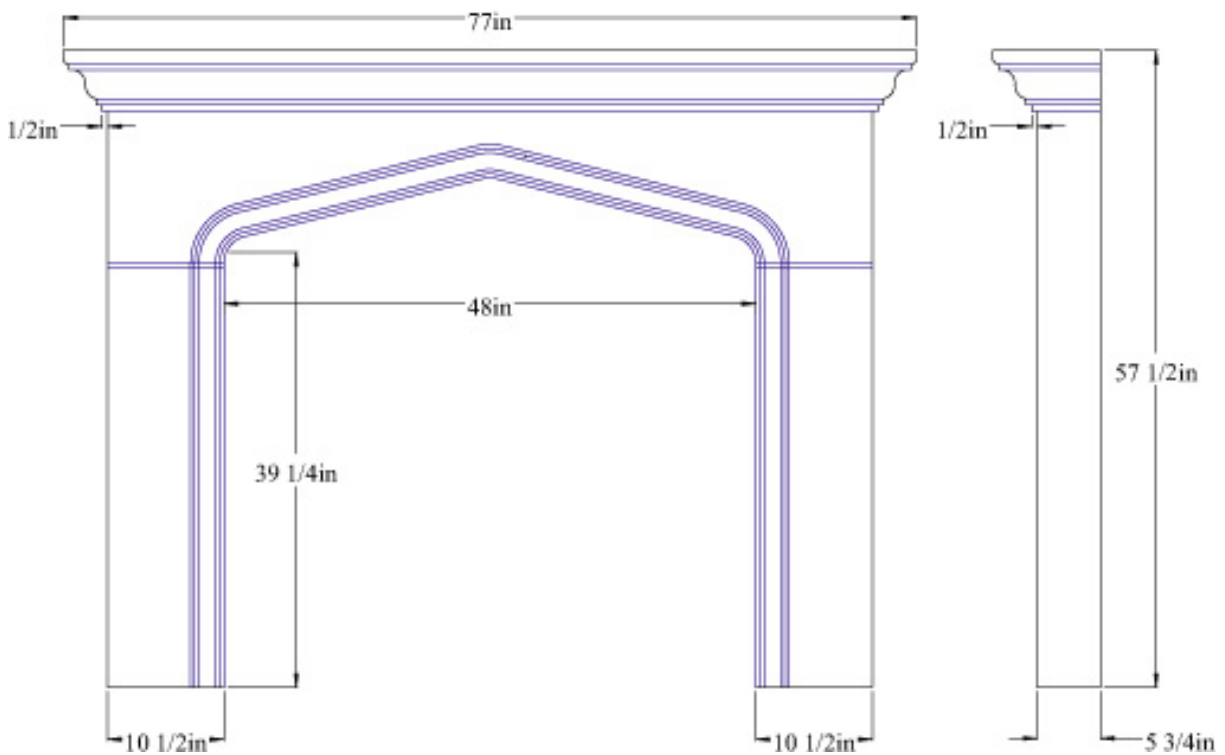
**#12 FIREPLACE  
 SURROUND**

**Typical Installation**

Dimensions shown are for illustration purposes only. Most measurements can be adjusted to meet your requirements.

Field cutting required.

Not all joints are shown.

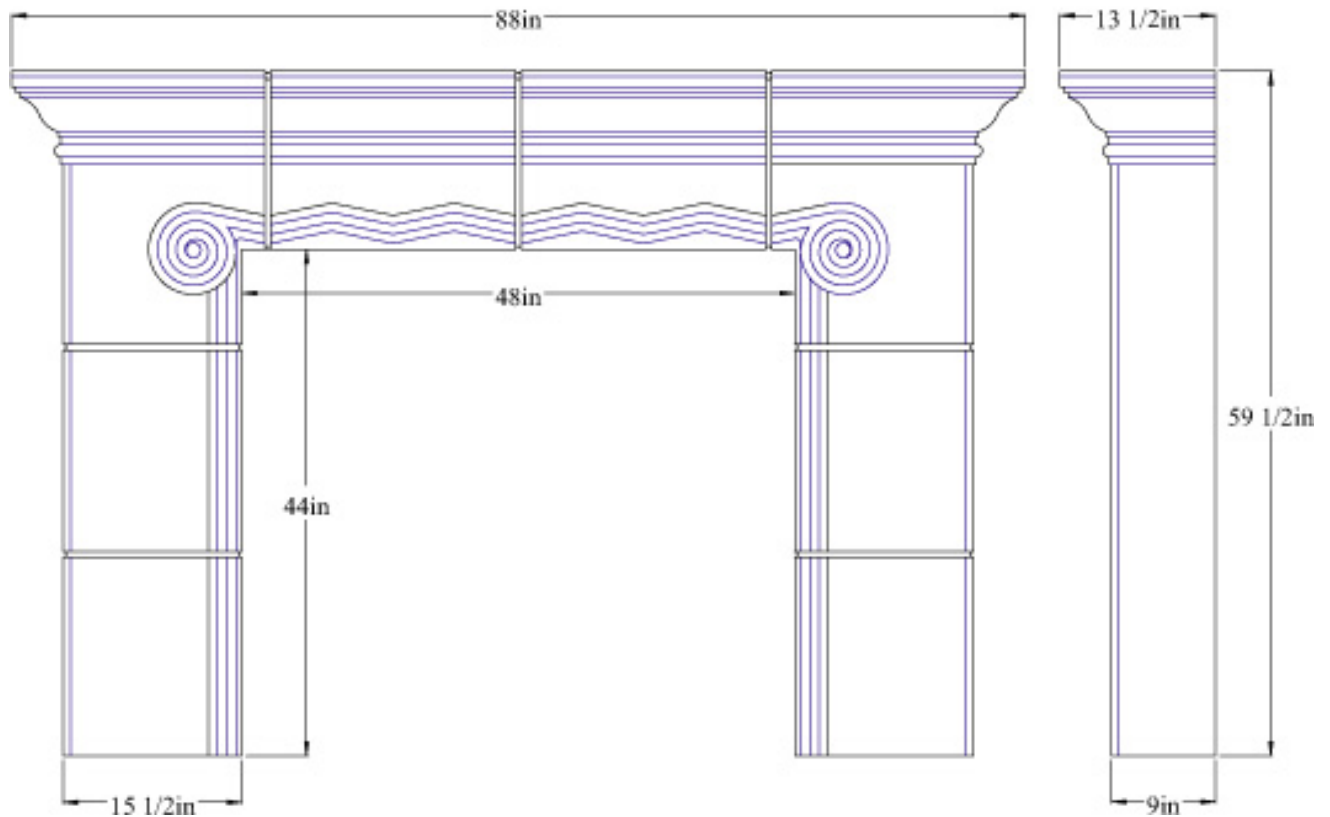


**10 - 12**

#13 FIREPLACE  
SURROUND

Typical Installation

Dimensions shown are for illustration purposes only. Most measurements can be adjusted to meet your requirements.  
Field cutting required.  
Not all joints are shown.



10 - 13



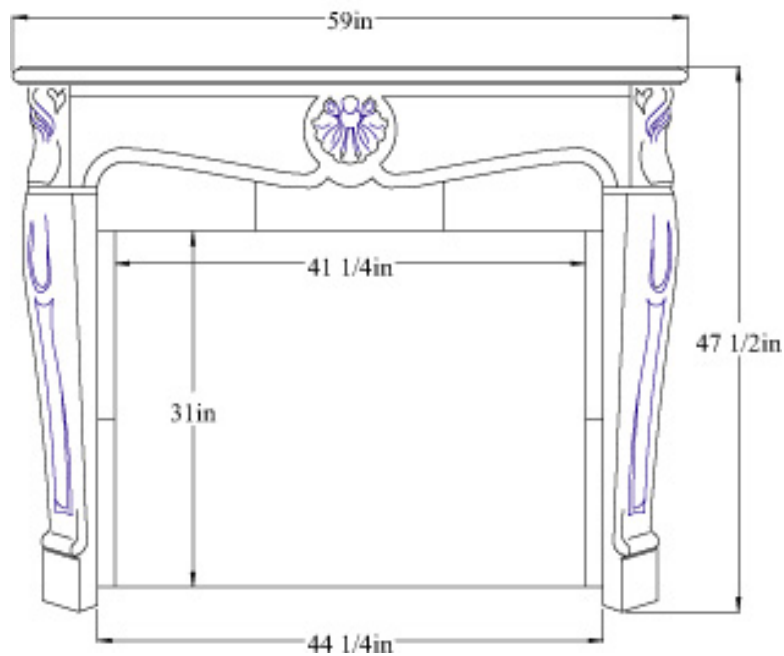
#14 FIREPLACE  
SURROUND

Typical Installation

Dimensions shown are for illustration purposes only. Most measurements can be adjusted to meet your requirements.

Field cutting required.

Not all joints are shown.



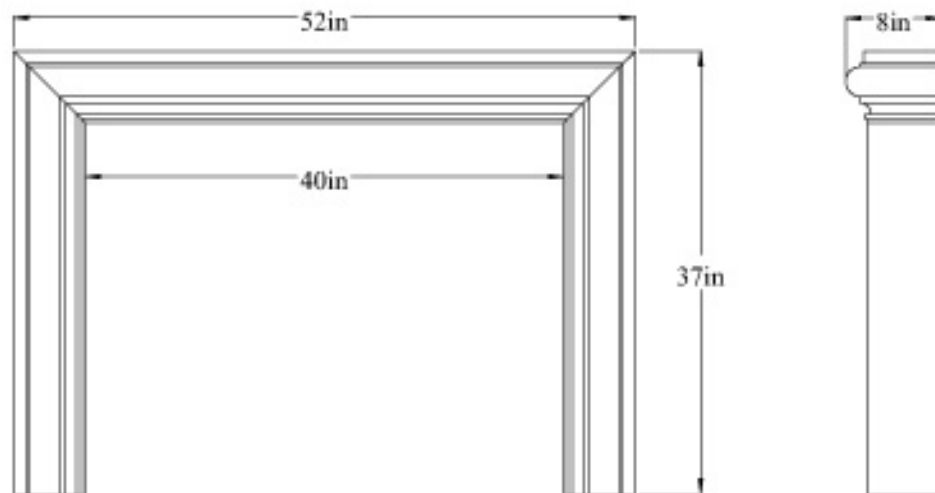
10 - 14

#15 FIREPLACE  
SURROUND

Typical Installation

Dimensions shown are for illustration purposes only. Most measurements can be adjusted to meet your requirements.

Field cutting required.  
Not all joints are shown.



10 - 15

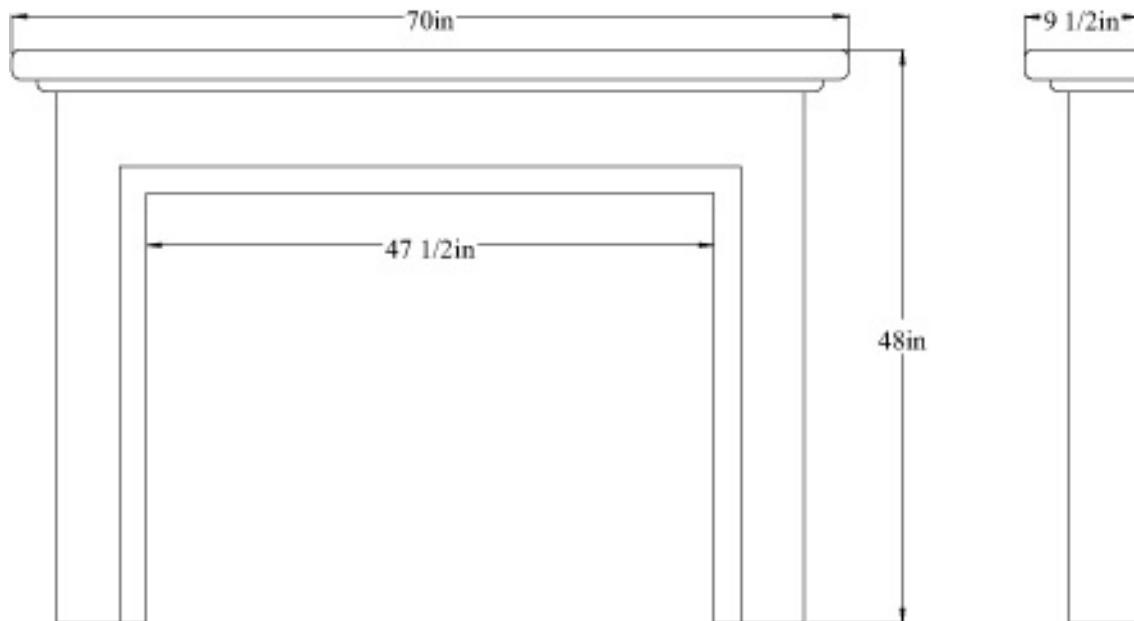
#16 FIREPLACE  
SURROUND

Typical Installation

Dimensions shown are for illustration purposes only. Most measurements can be adjusted to meet your requirements.

Field cutting required.

Not all joints are shown.



10 - 16

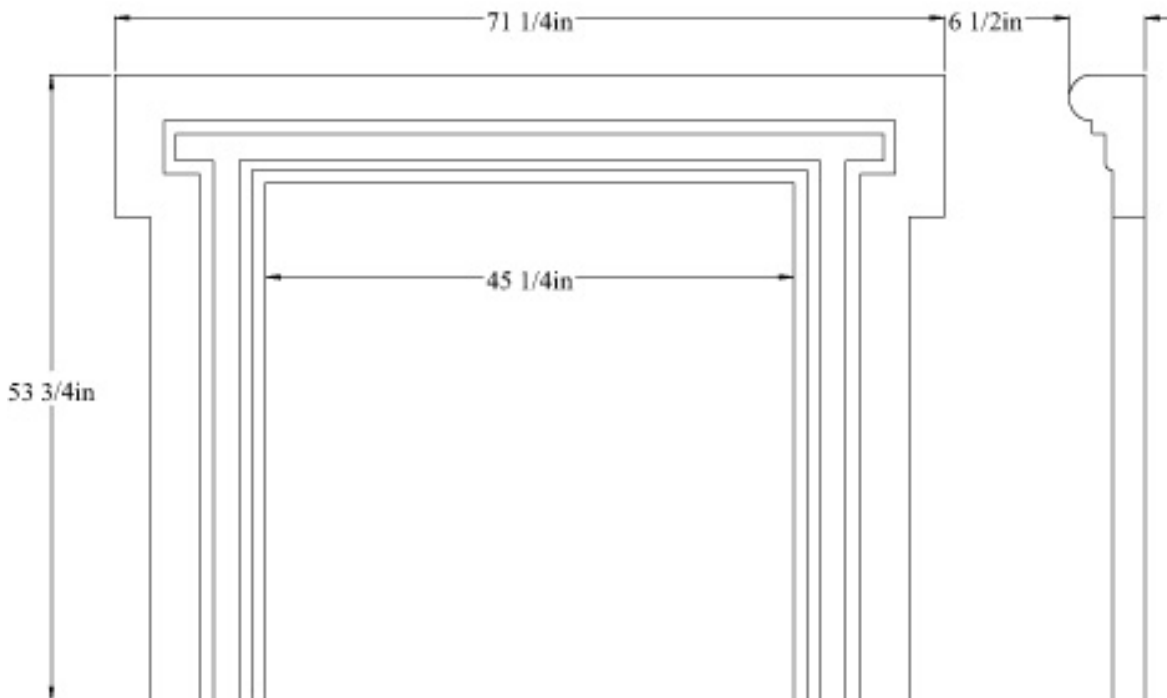
#17 FIREPLACE  
SURROUND

Typical Installation

Dimensions shown are for illustration purposes only. Most measurements can be adjusted to meet your requirements.

Field cutting required.

Not all joints are shown.



10 - 17

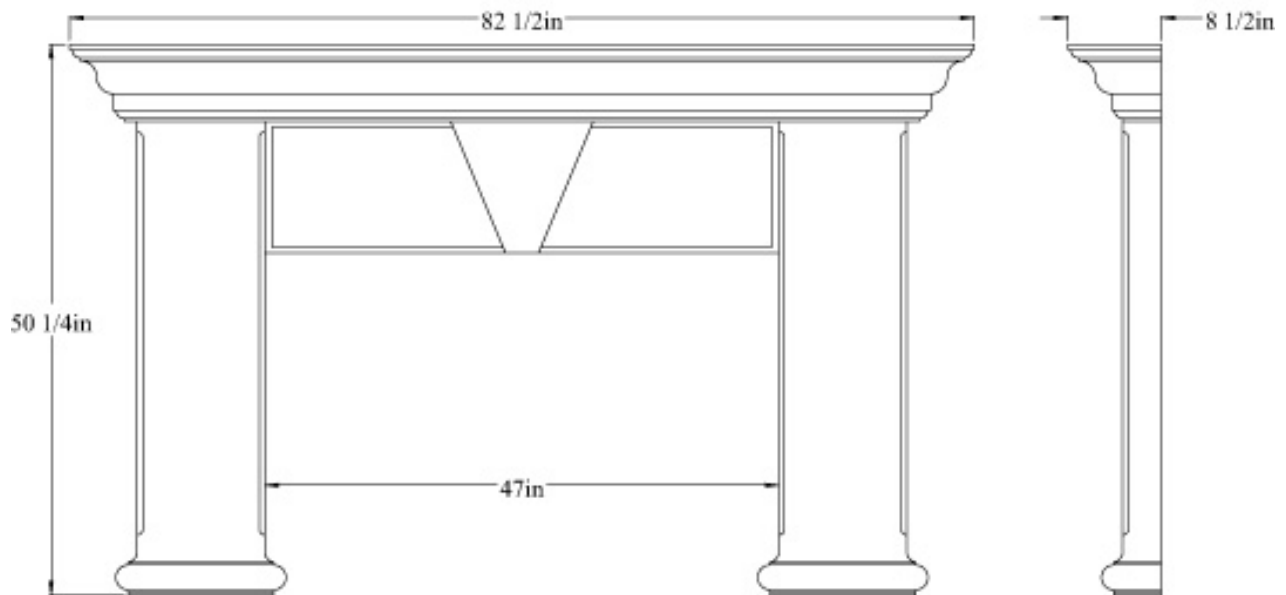
#18 FIREPLACE  
SURROUND

Typical Installation

Dimensions shown are for illustration purposes only. Most measurements can be adjusted to meet your requirements.

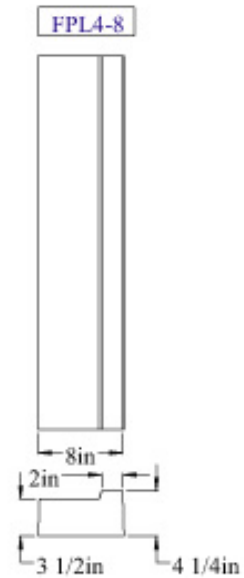
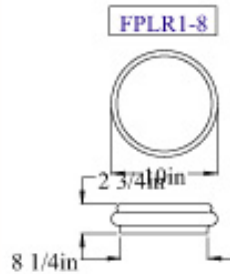
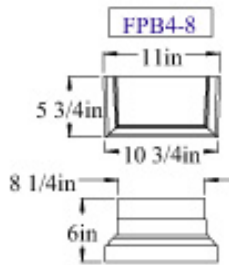
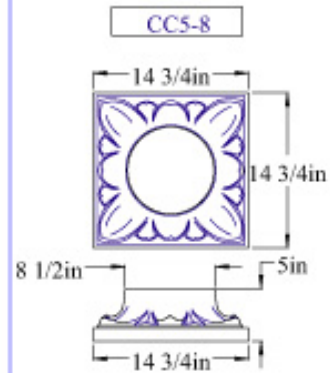
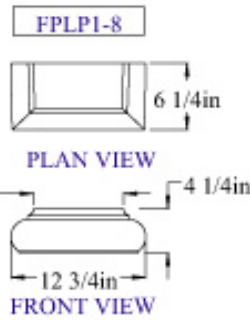
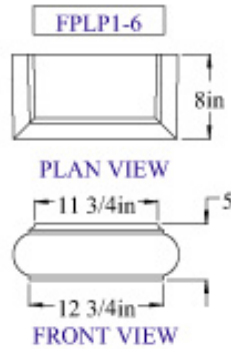
Field cutting required.

Not all joints are shown.



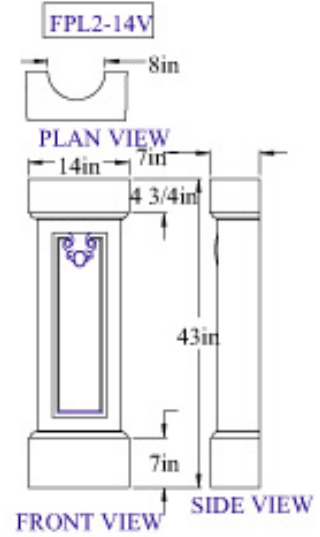
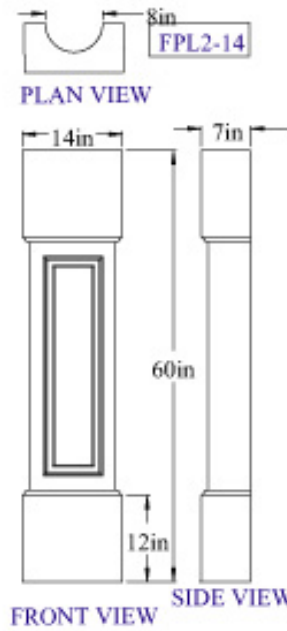
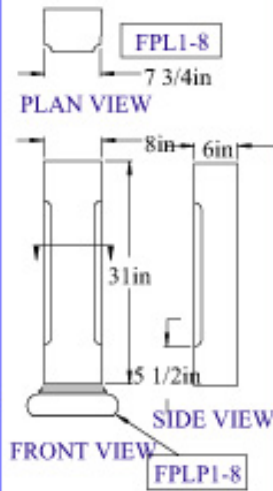
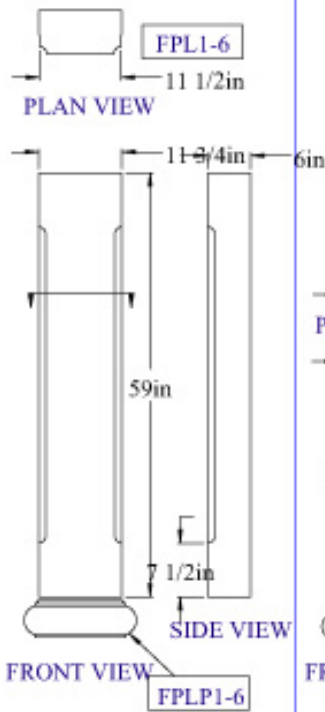
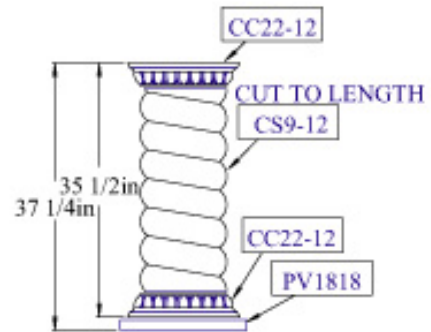
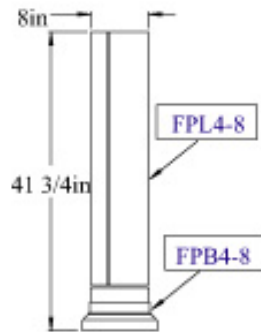
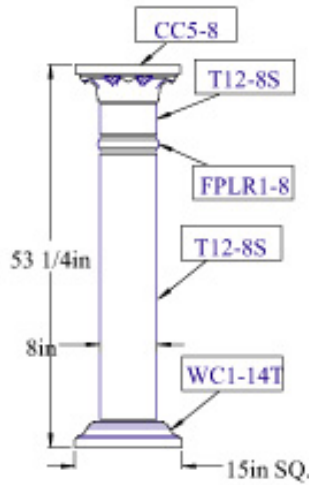
10 - 18

**FIREPLACE LEGS**

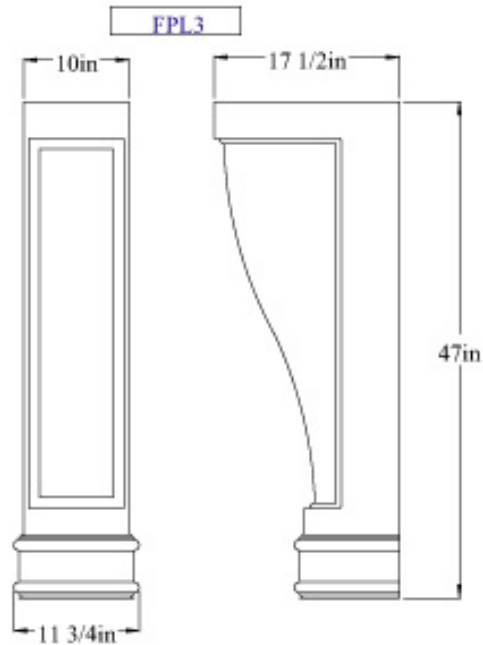
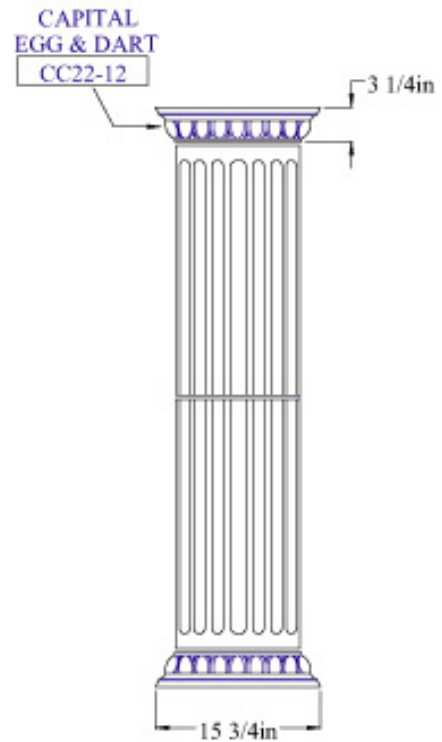
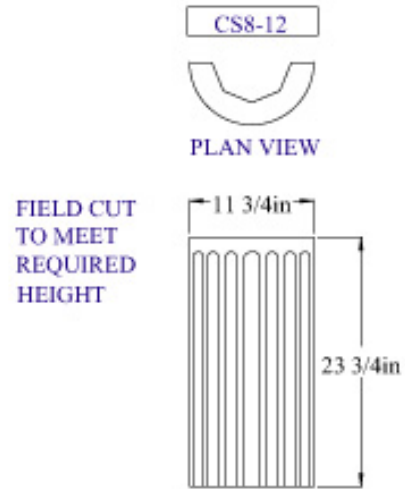
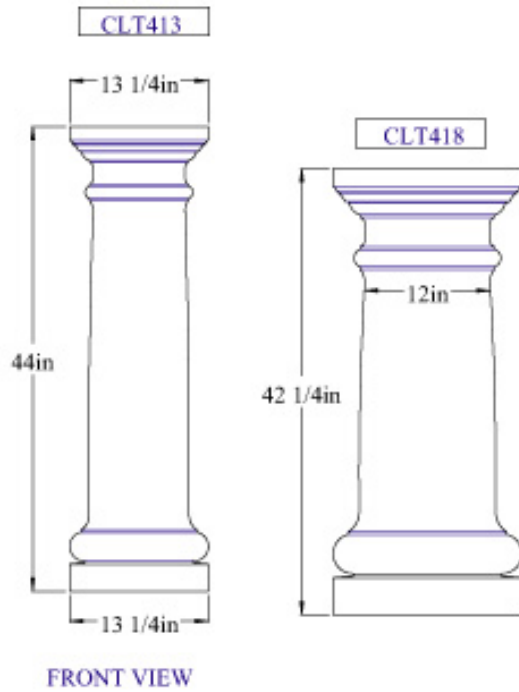




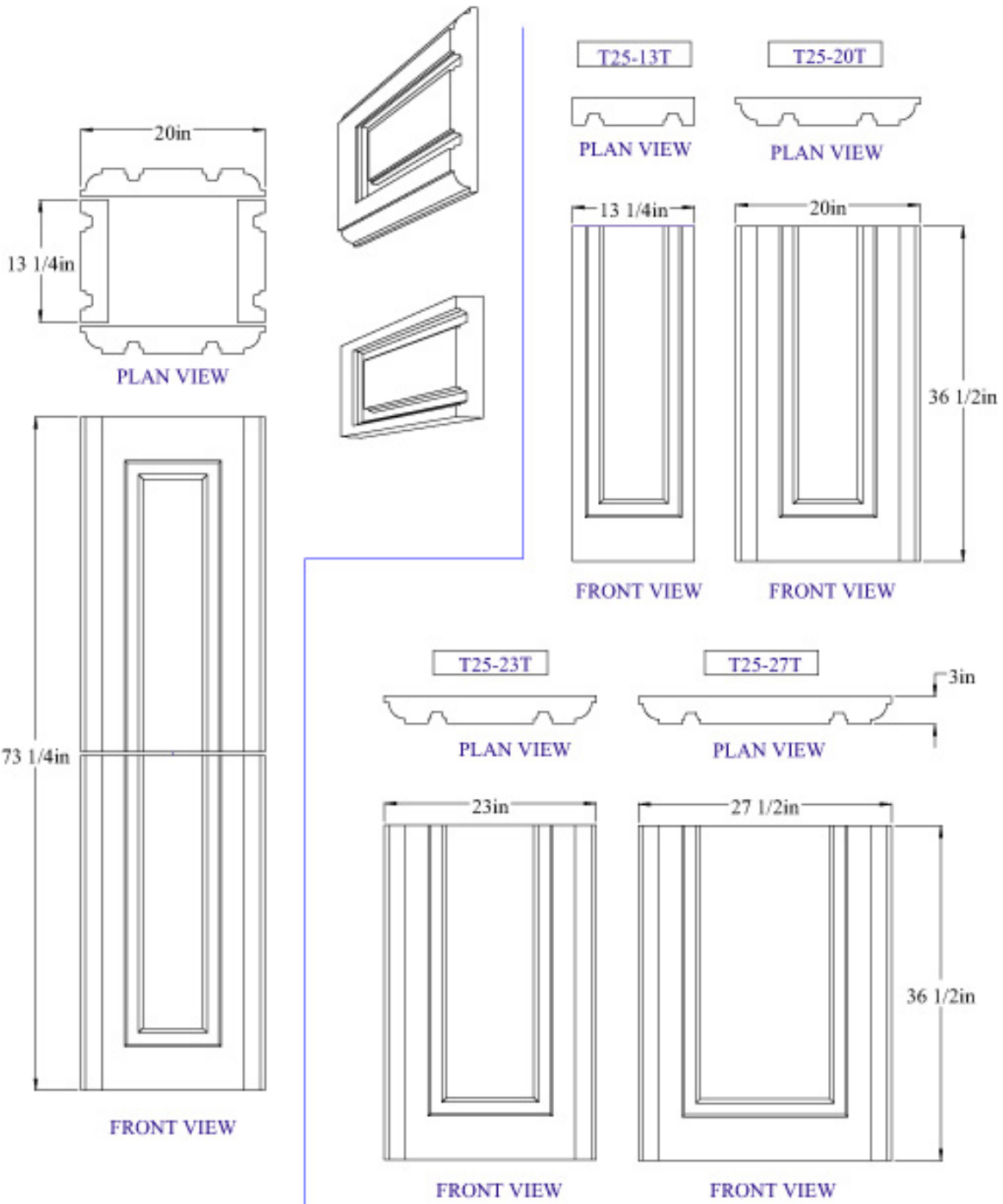
### FIREPLACE LEGS



**FIREPLACE LEGS**



**FIREPLACE LEGS**



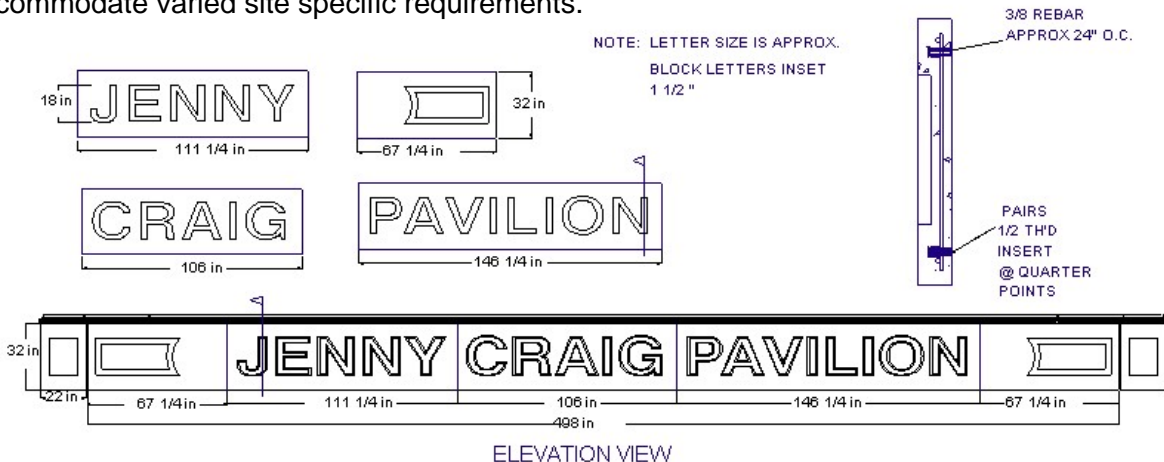
**MONUMENT SIGNS**

**SECTION 11**



Lite Stone Concrete offers a large selection of columns, pilasters, wall caps, trim, and moldings which can serve to beautify your monument signs.

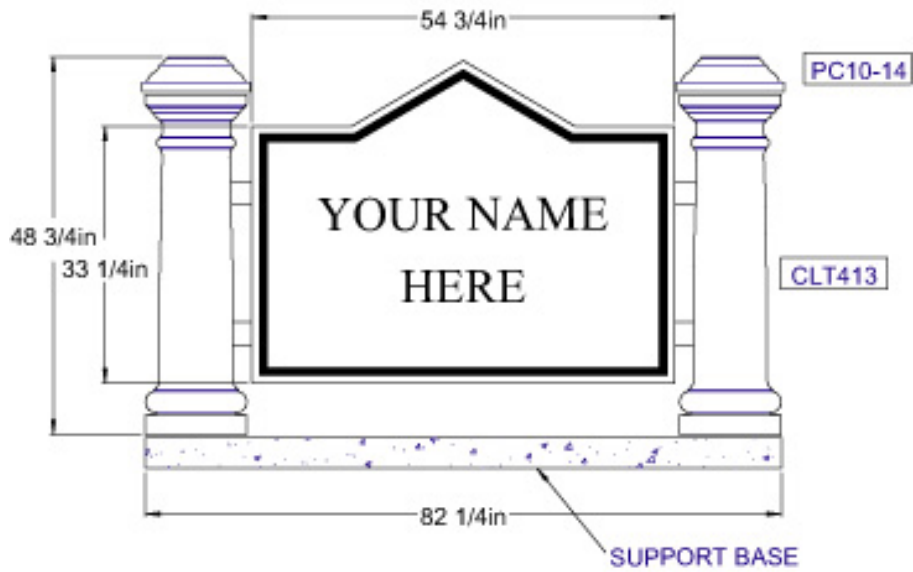
The choice of independent options allows for precise field cutting which can therefore accommodate varied site specific requirements.



Lite Stone Concrete has in-house designers who welcome the opportunity to create custom styles in order to meet your specific design requirements. Custom styles are supplied on a special order basis.

#1 MONUMENT  
SIGNS

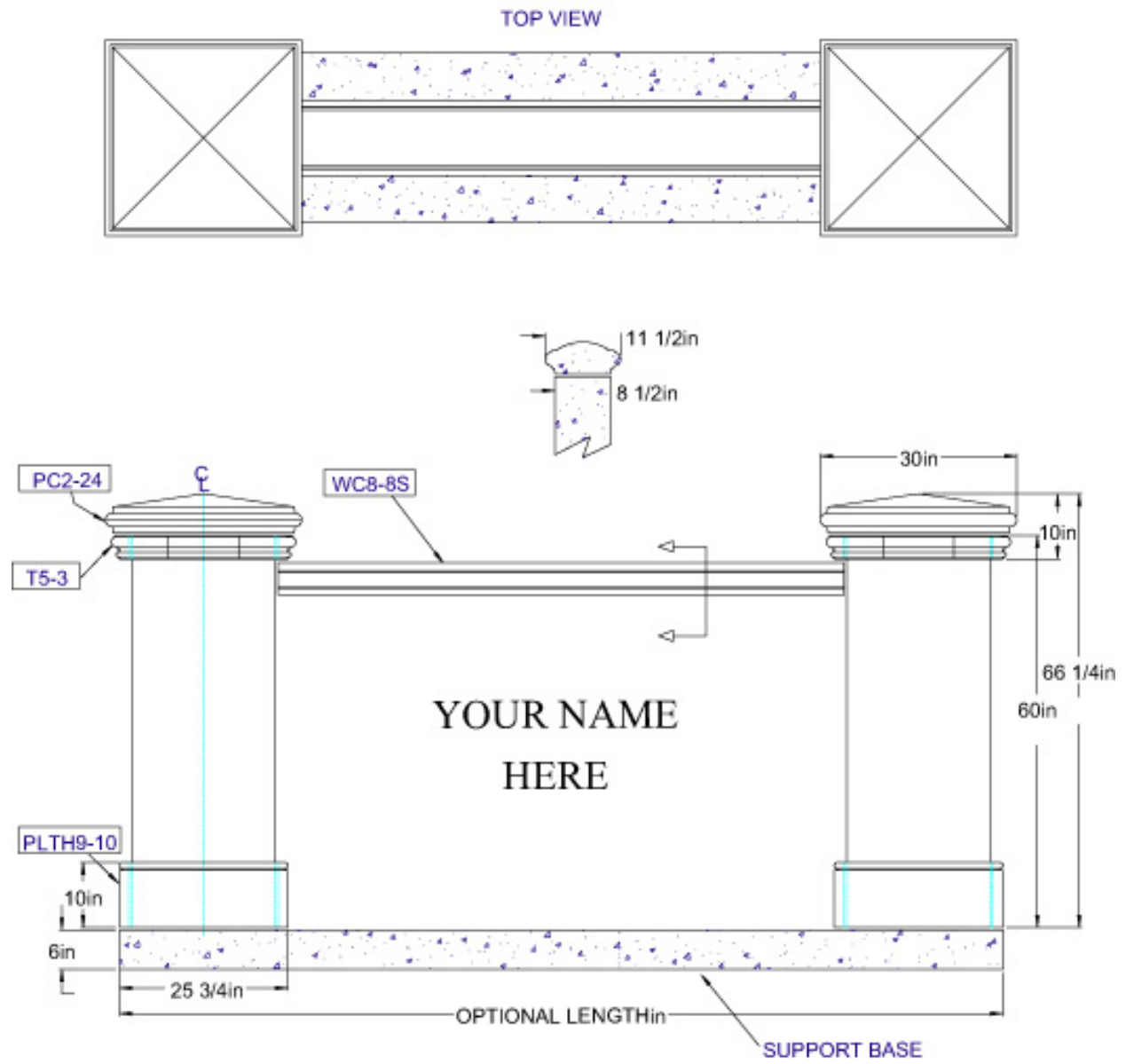
TOP VIEW



ELEVATION VIEW

11 - 1

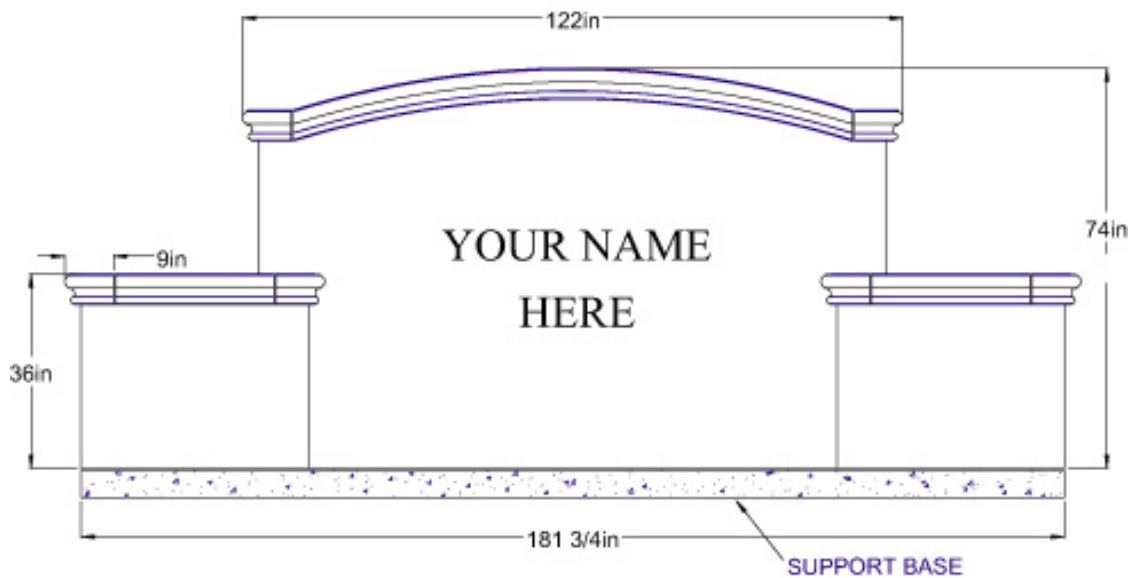
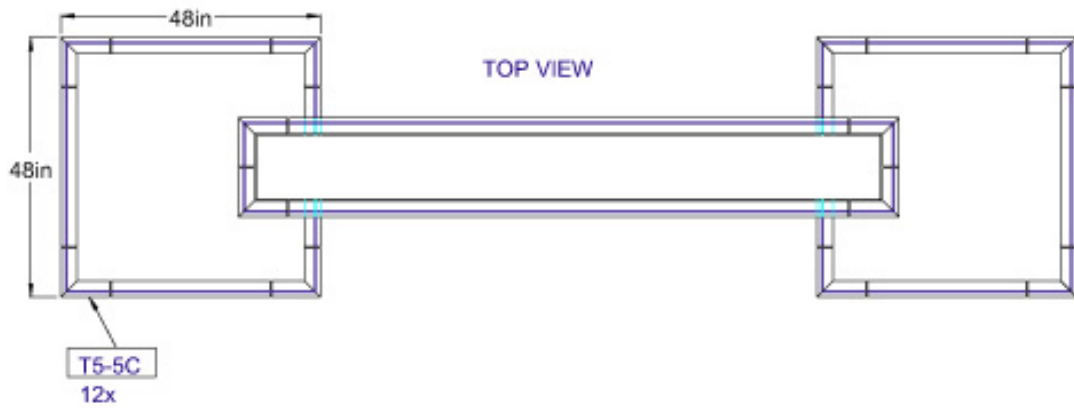
**#2 MONUMENT SIGNS**



ELEVATION VIEW

11 - 2

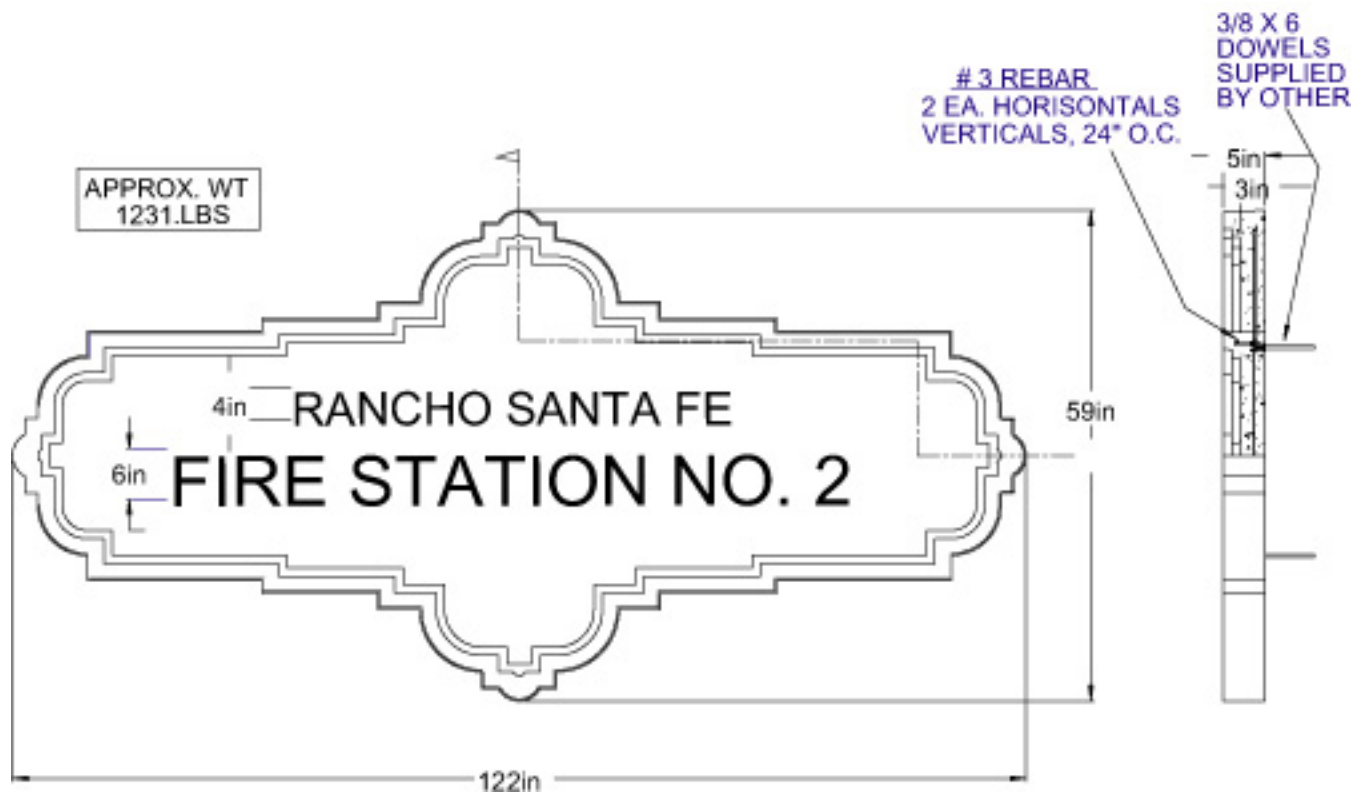
#3 MONUMENT  
SIGNS



11 - 3

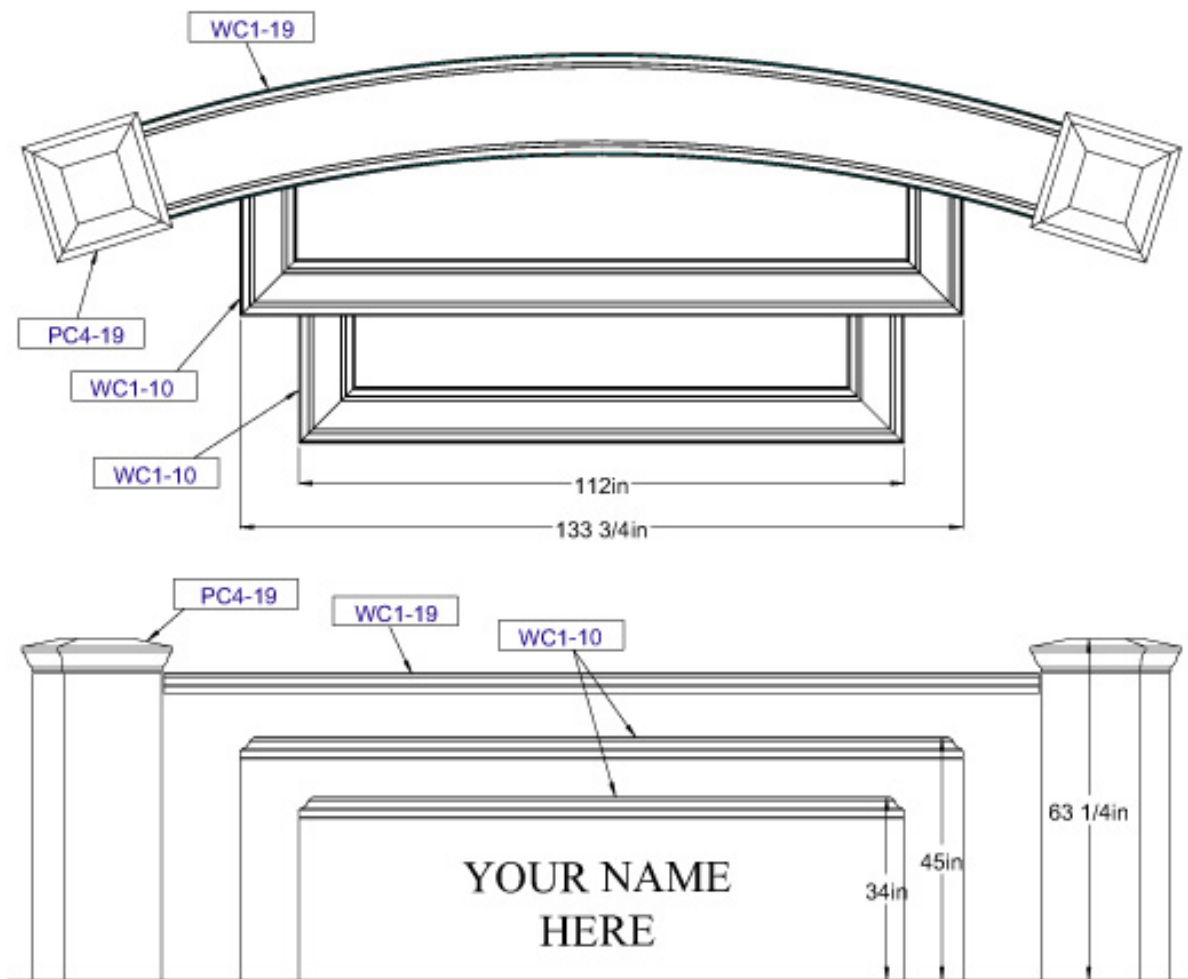


#1 MONUMENT  
SIGNS



11 - 4

**#4 MONUMENT SIGNS**



**11 - 5**