

KEYSTONES, CORBELS, & QUOINS

SECTION 6



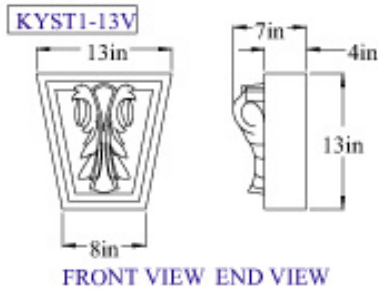
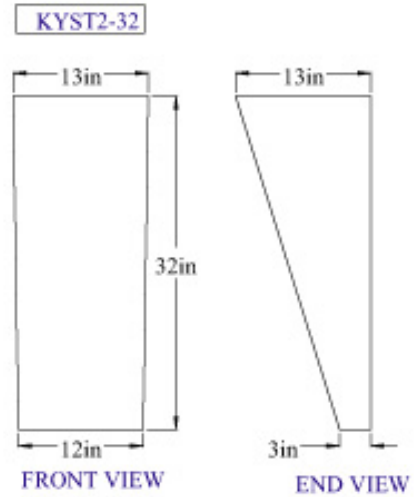
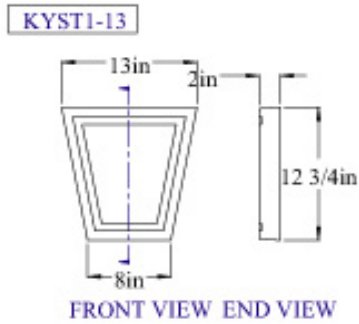
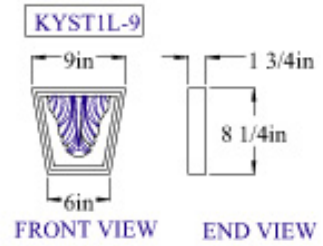
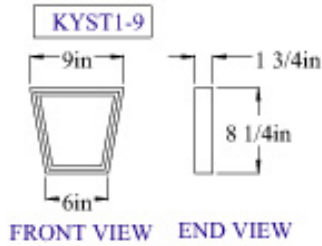
Keystones have evolved into decorative pieces which are set into the head of a window or door. Designs are available which can accommodate both arched and/or post and beam styles.

Corbels provide visual support for other architectural elements even though they do not provide structural support.

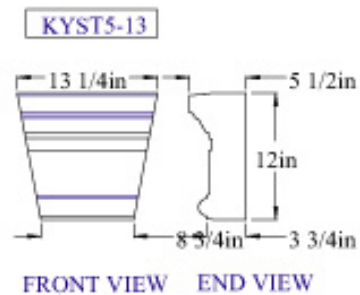
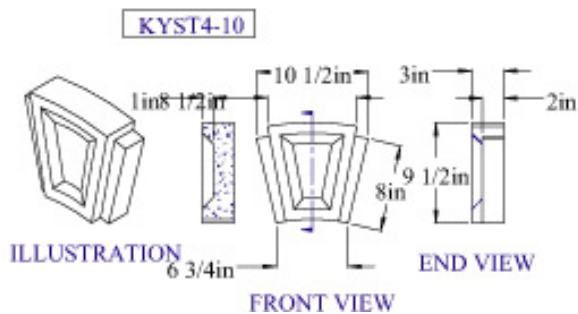
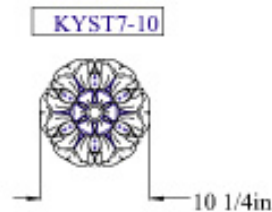
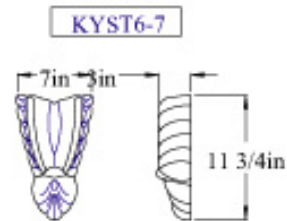
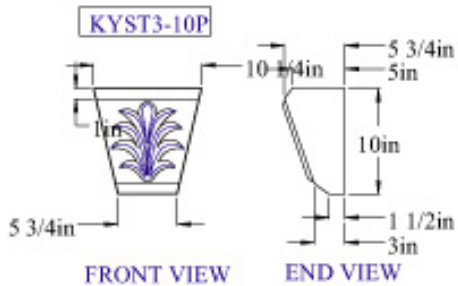
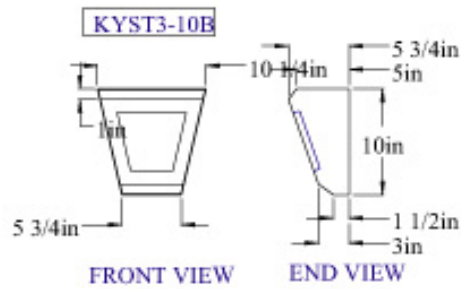
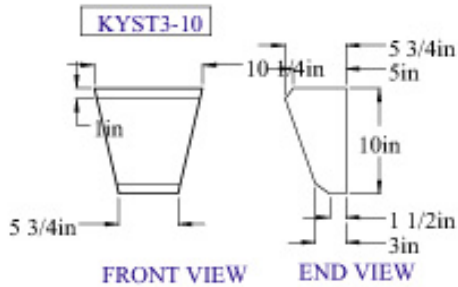
Quoins are available in several sizes however they may be produced by the use of cladding.

Lite Stone Concrete has in-house designers who welcome the opportunity to create custom styles in order to meet your specific design requirements. Custom styles are provided on a special order basis.

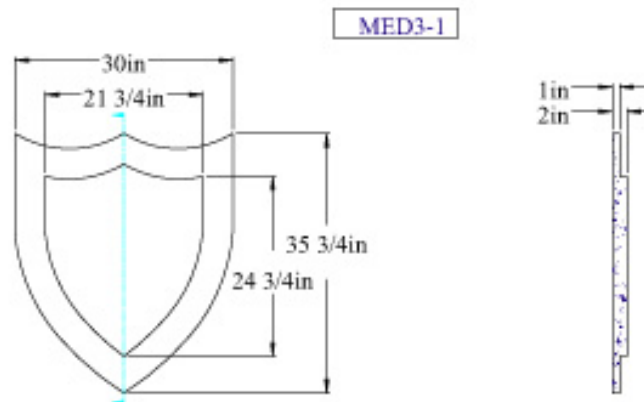
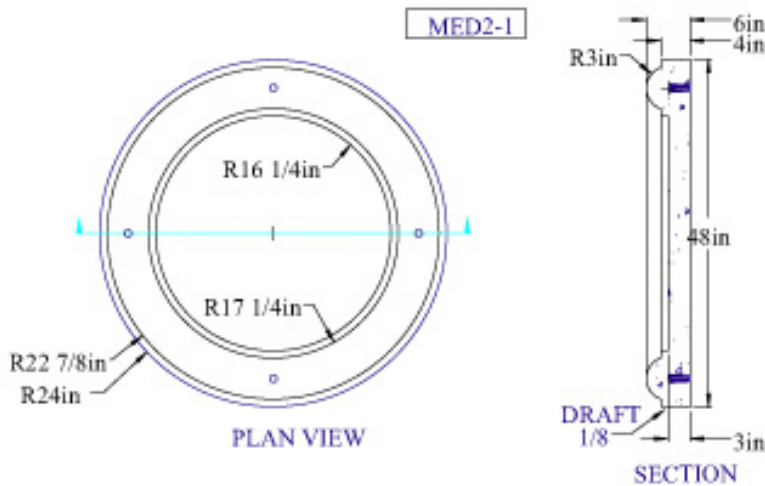
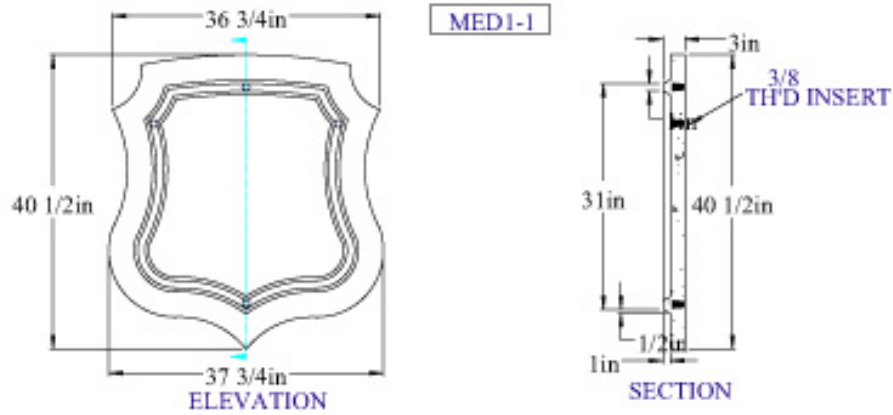
KEYSTONE



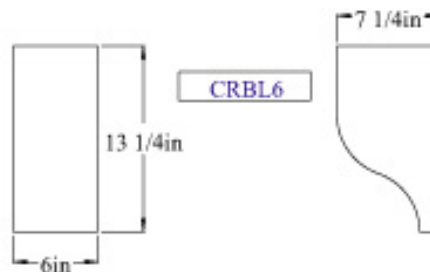
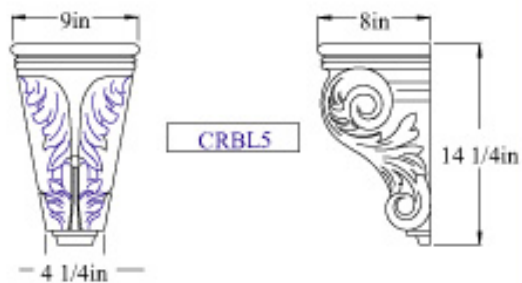
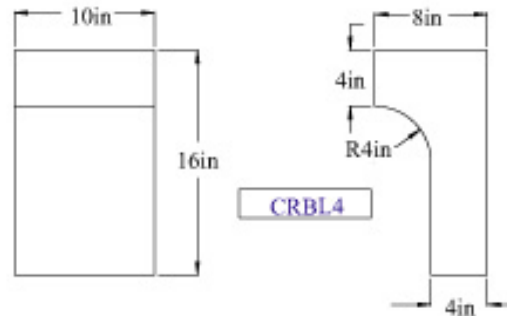
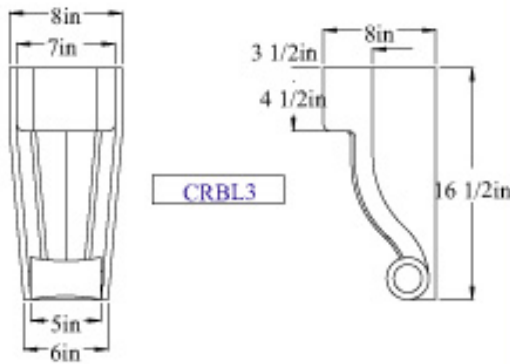
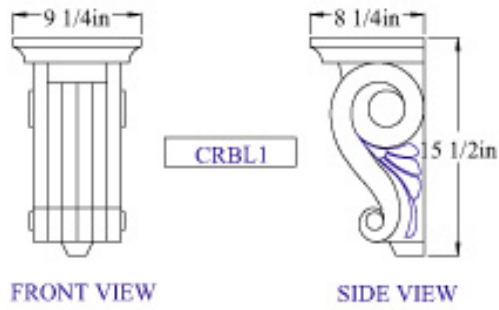
KEYSTONES



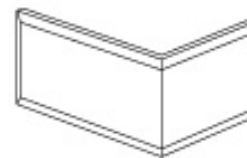
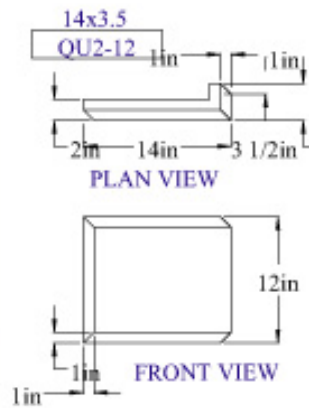
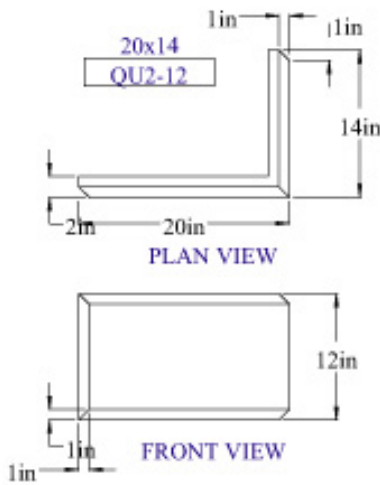
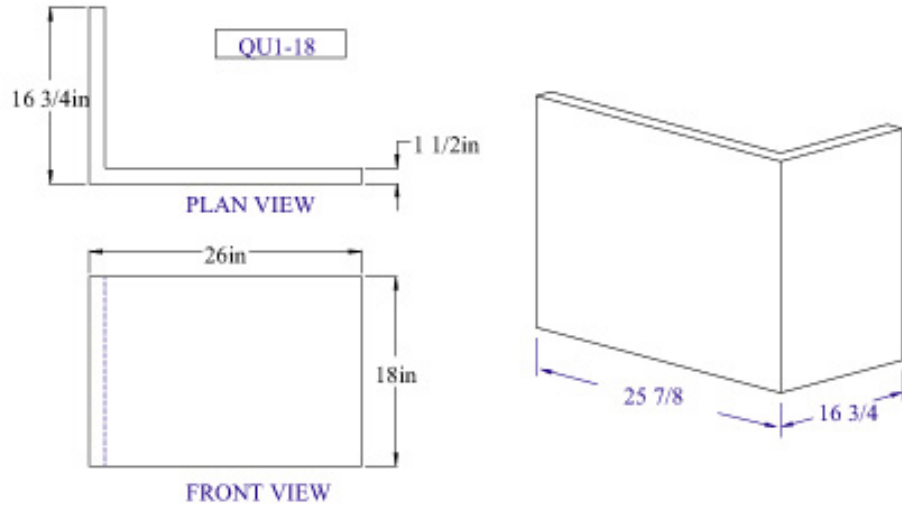
MEDALLIONS



CORBELS



QUOINS



APPLICATION

