

COLUMNS

SECTION 1

GREEK CORINTHIAN CAPITALS
COLUM BASES
TUSCAN COLUMNS
SCAMOZZI CAPITALS
STACKABLE COLUMNS
ROMAN CORRINTHIAN CAPITALS

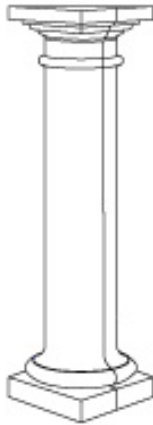
Lite Stone Concrete offers a large selection of column styles which are supplied in a wide variety of heights and shaft diameters. Most columns are available on a custom option basis.

Columns are intended to serve as non-structural decorative elements. They are supplied as splits, and are to be installed around an existing structural member. Stackable and two piece designs are available in a wide variety of sizes and styles. Chase size should be verified in order to insure that the selected column will accommodate the intended structural support. Column heights can be adjusted by fabricating a supporting base which may be clad in matching material.



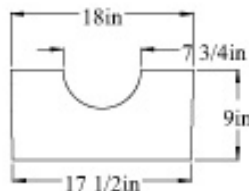
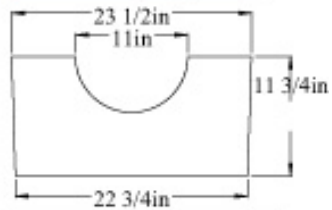
Our sales and design staff are available to aid in the selection of our products in order to determine the correct column for your application. In addition, a custom column may be developed in order to meet a specific design requirement.

CLT SERIES COLUMNS



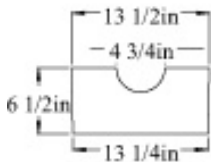
#	HEIGHT
CLT418	42 1/4"
CLT518	59"
CLT618	71"
CLT718	83"
CLT818	95"

#	HEIGHT
CLT724	83"
CLT824	95"
CLT924	107"
CLT1024	119"

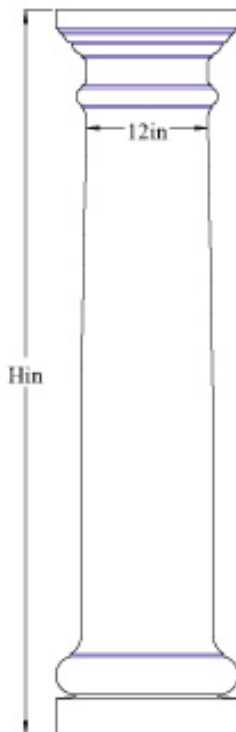
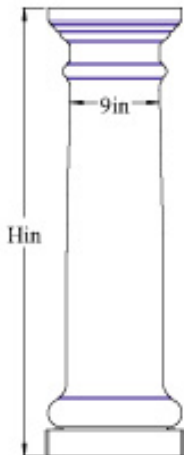


TOP VIEW

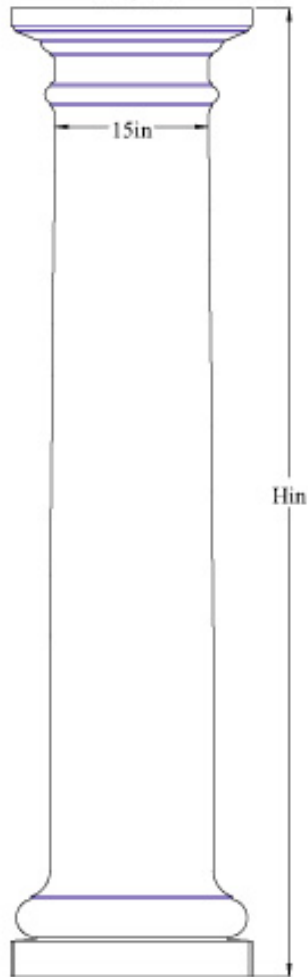
#	HEIGHT
CLT413	44"
CLT713	83"



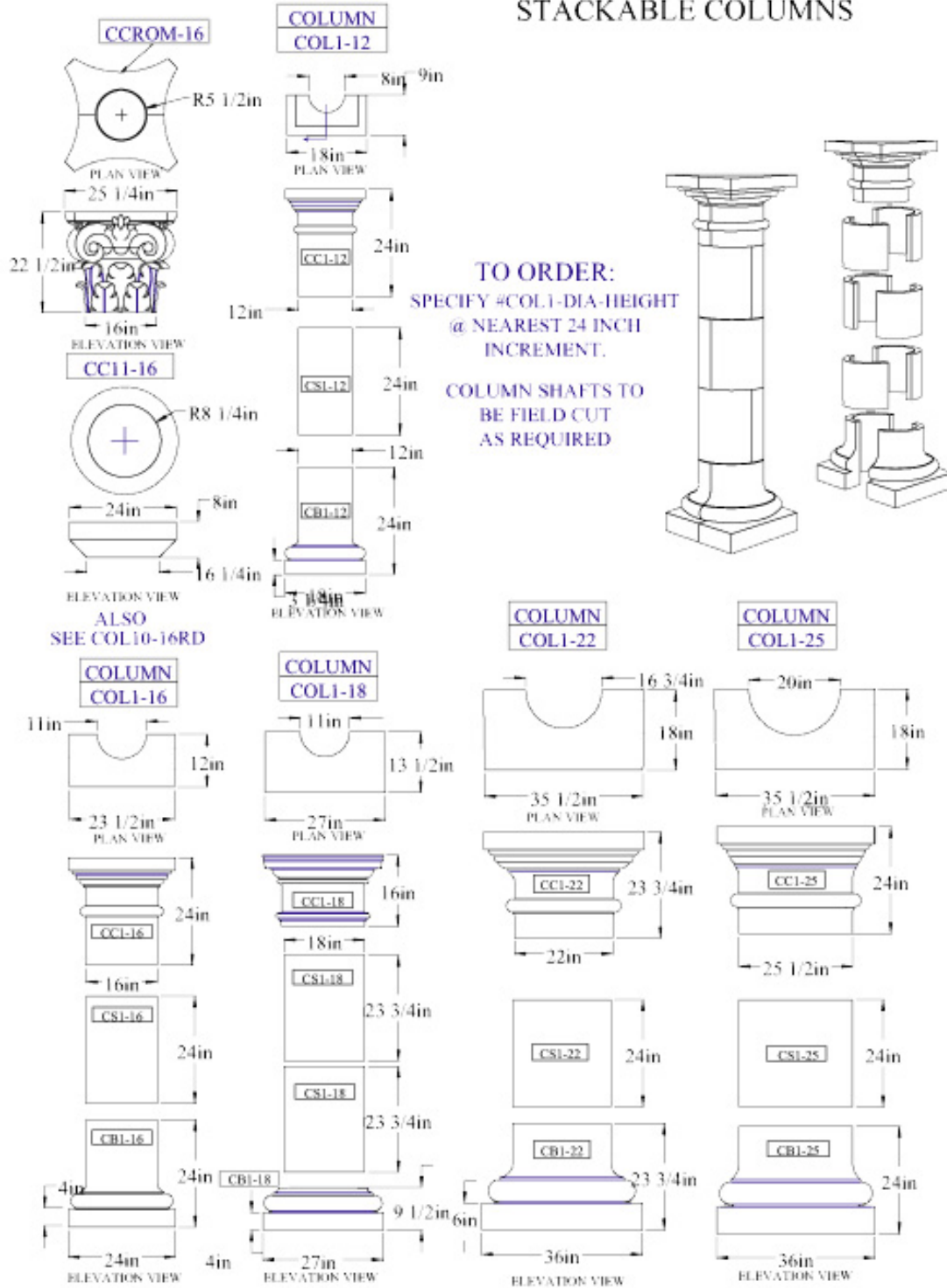
TOP VIEW

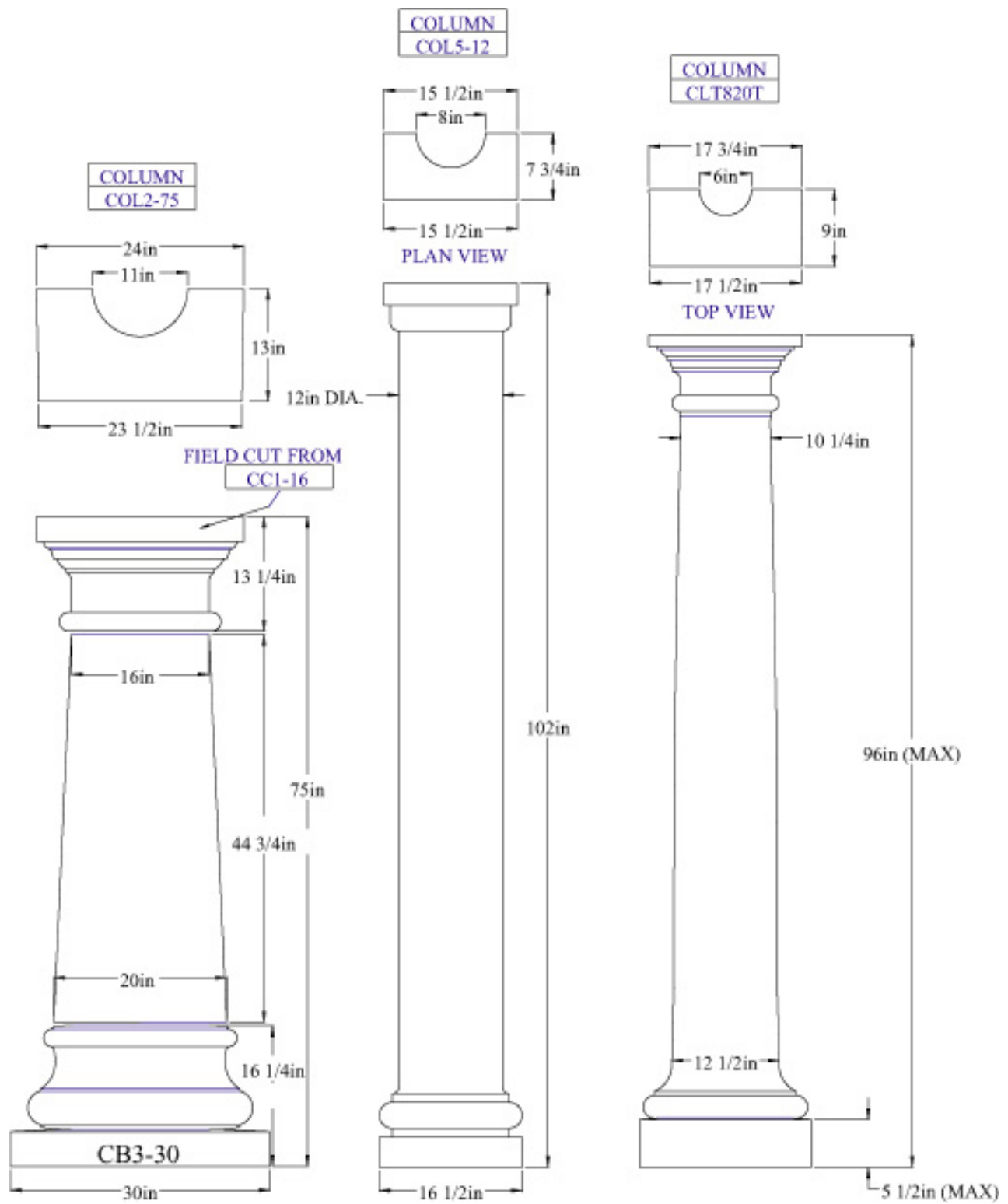


1 - 1

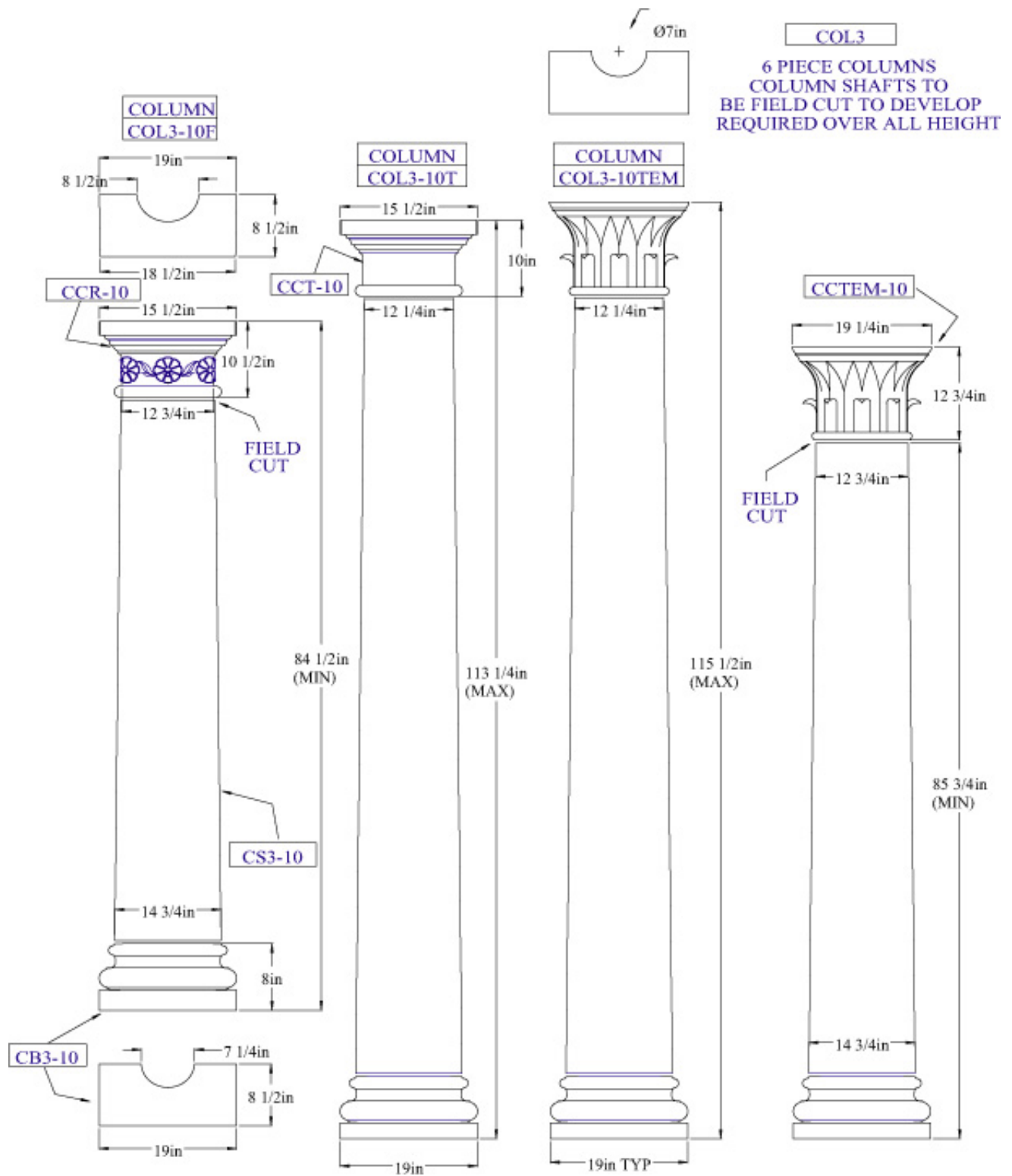


COL1 SERIES STACKABLE COLUMNS



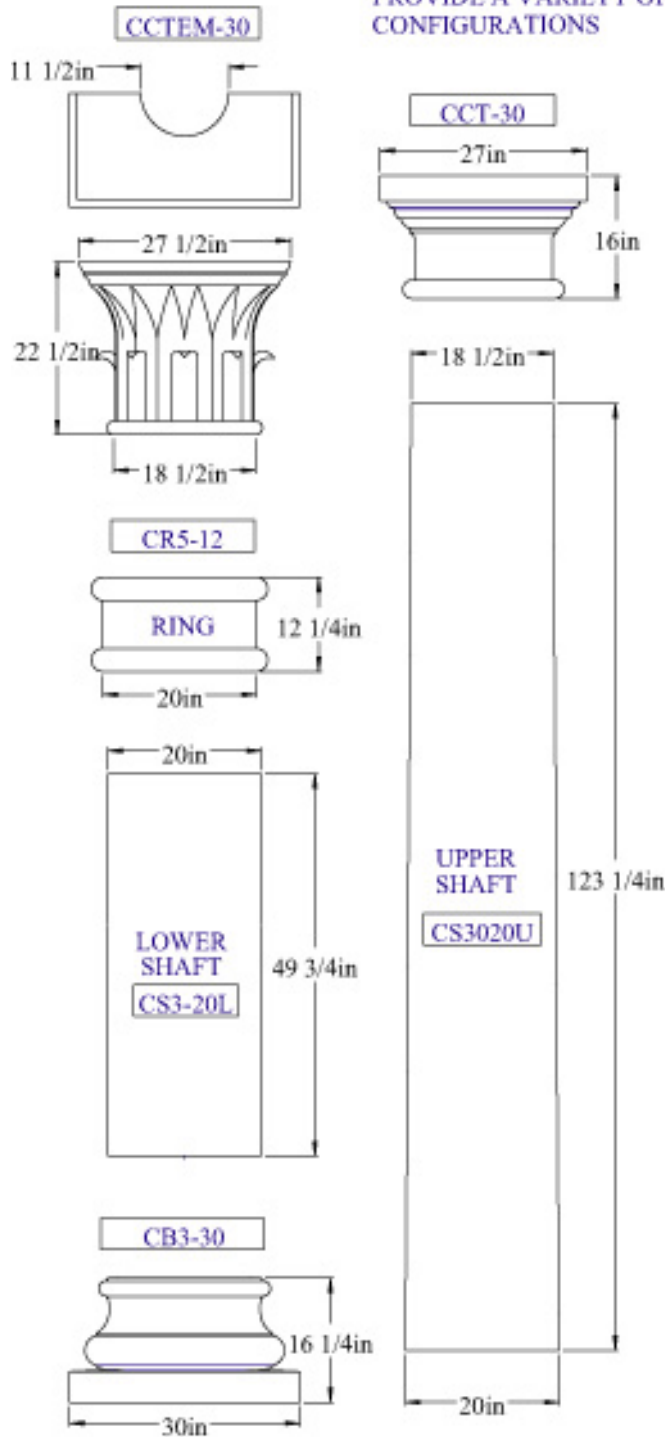


1 - 3

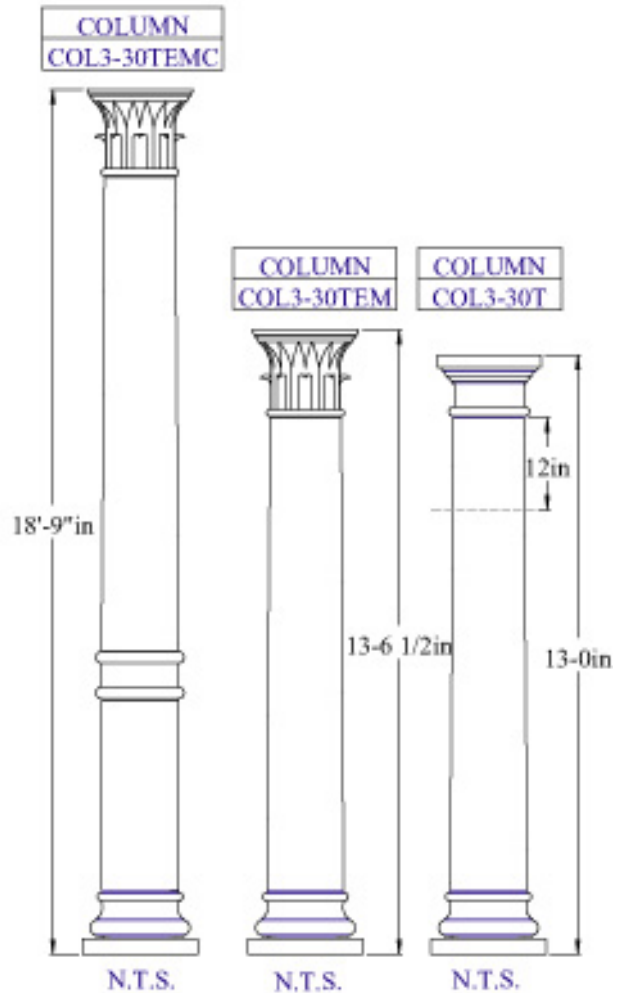


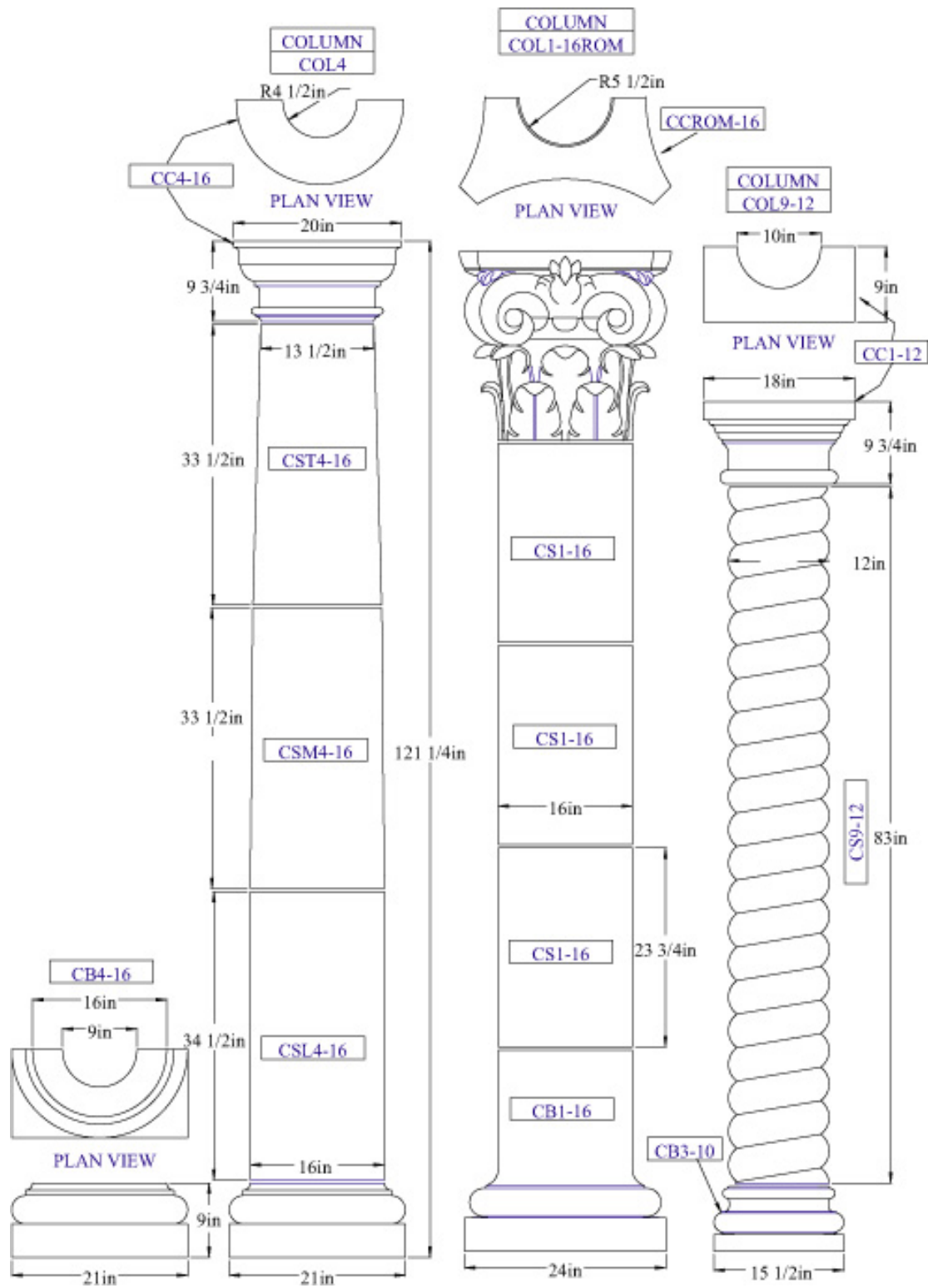
1 - 4

NOTE:
COMPONENTS MAY BE
STACKED & CUT TO
PROVIDE A VARIETY OF
CONFIGURATIONS

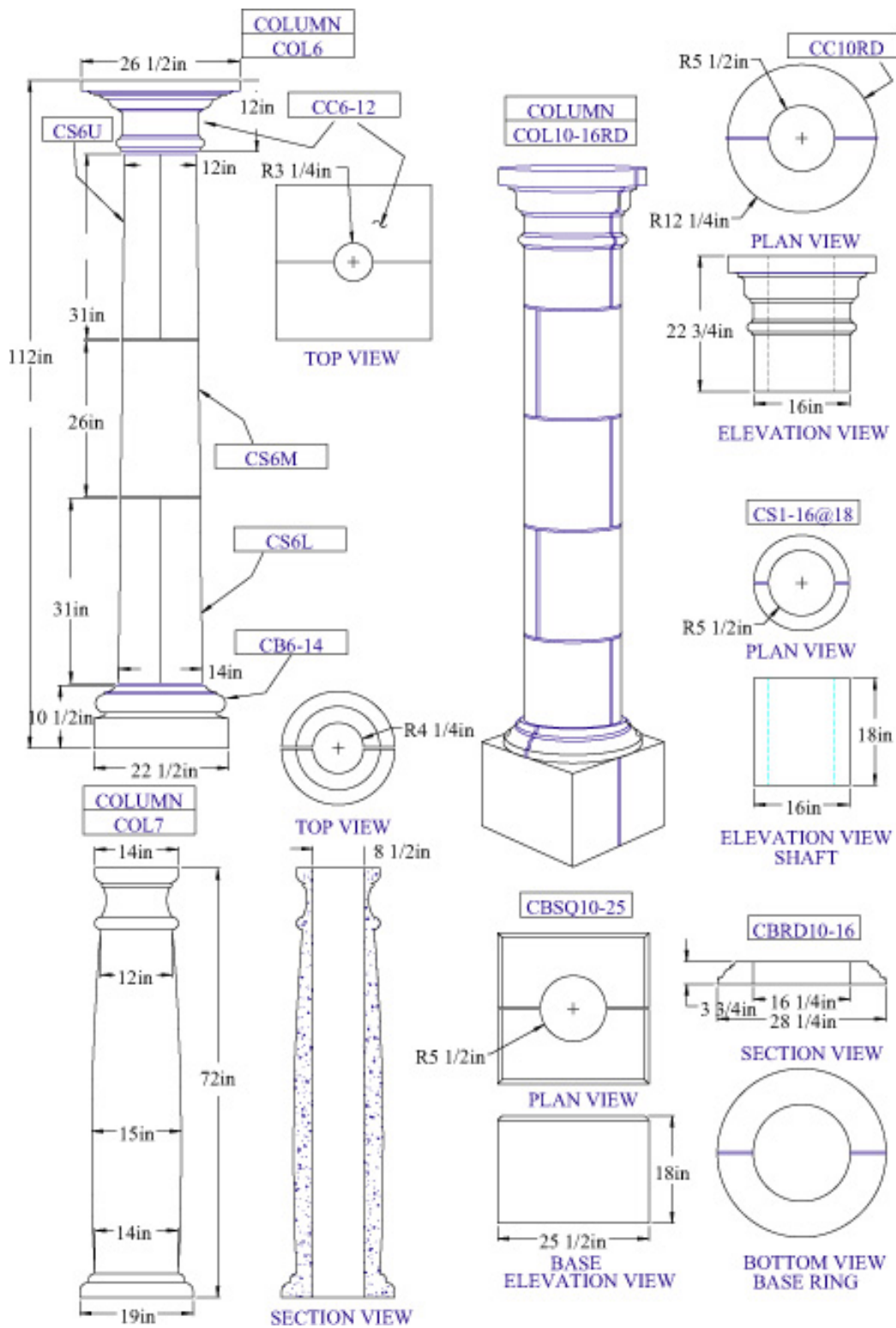


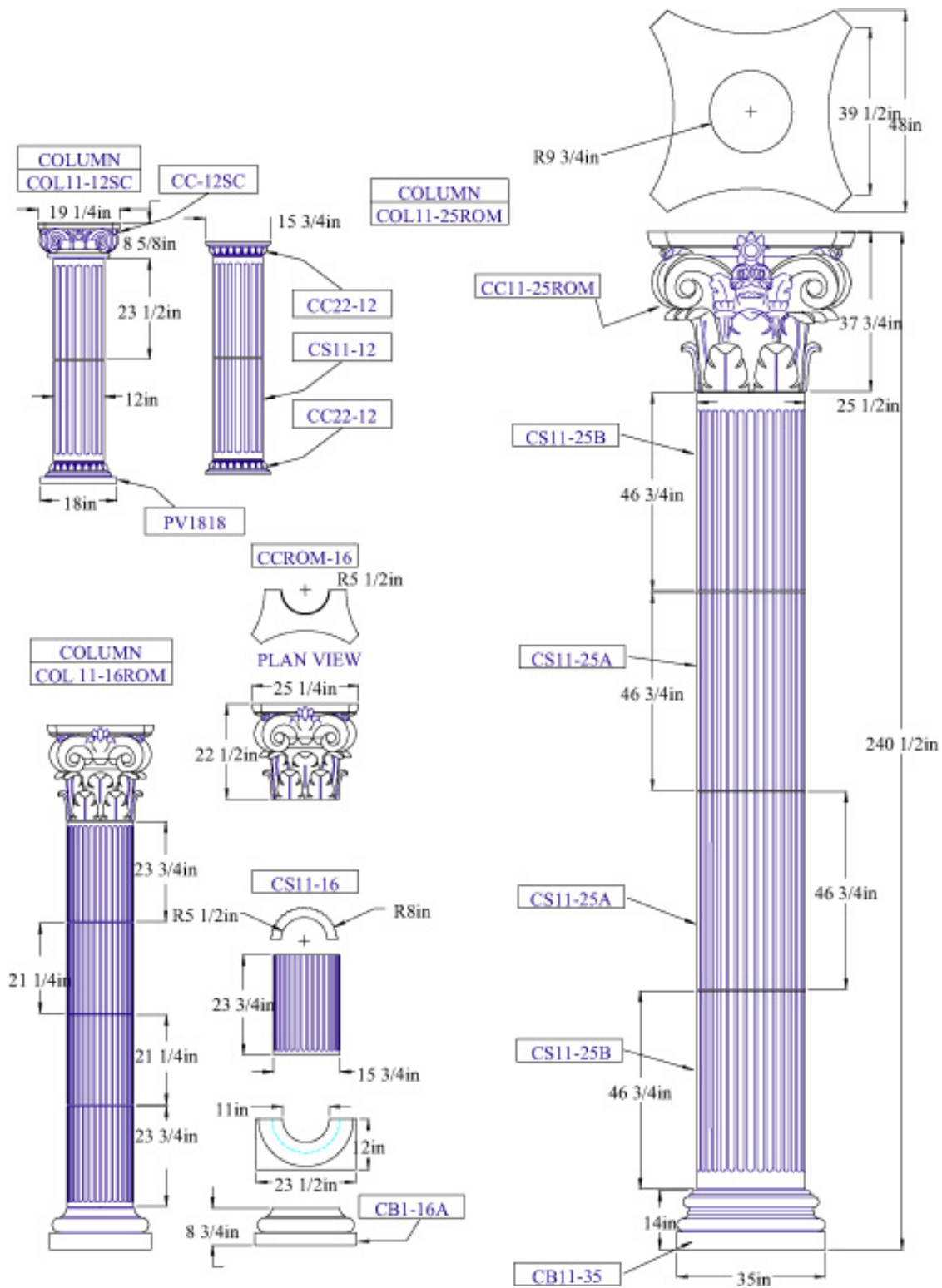
COLUMNS

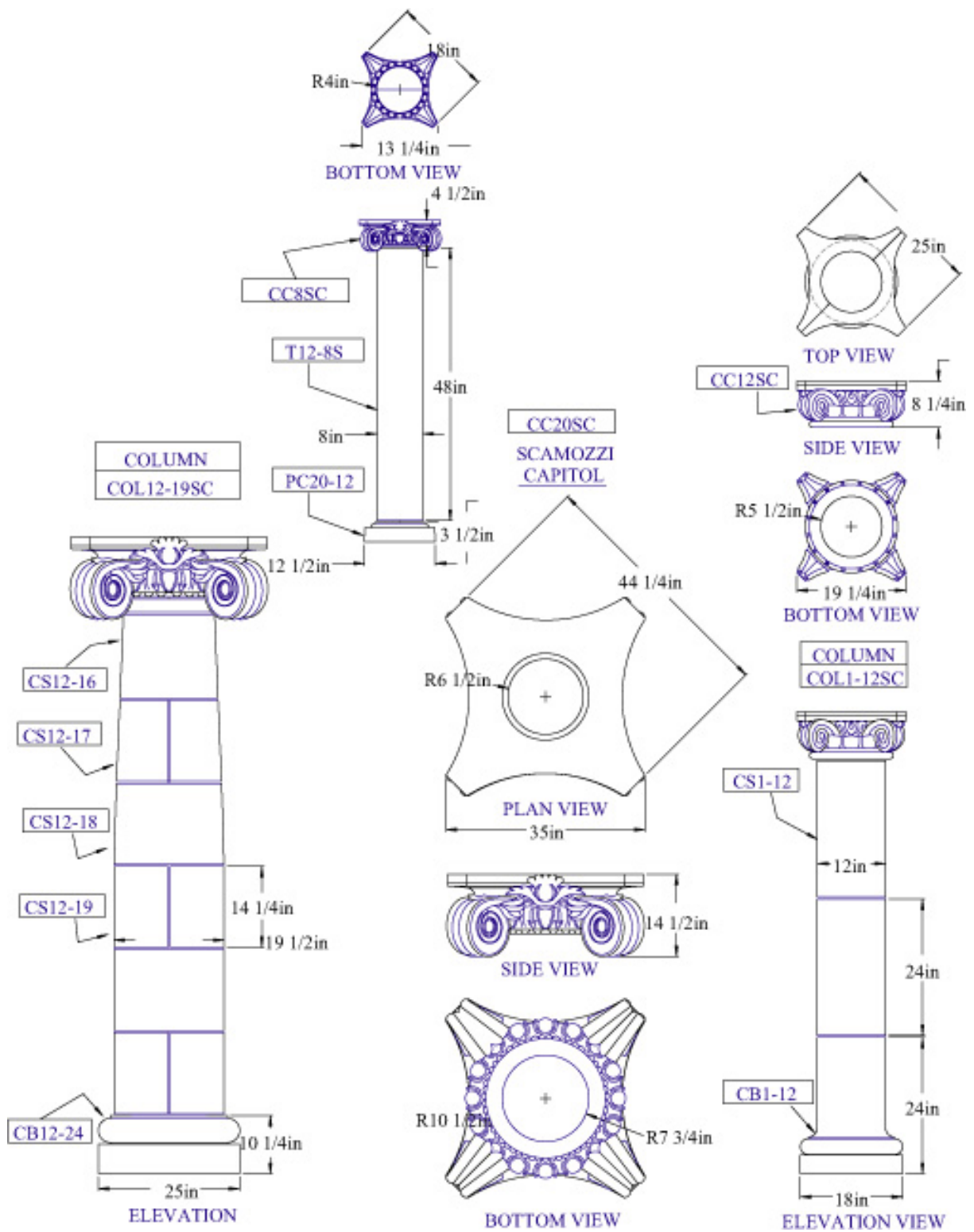




1 - 6







1 - 9